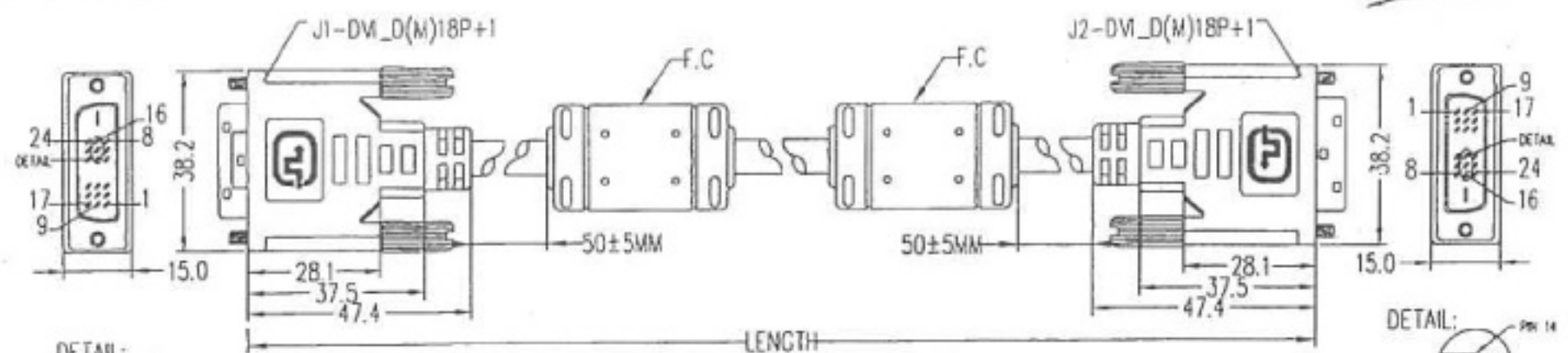


W/OID	INSIDE NO.	OUTSIDE NO.
FERRITE CORE		980879

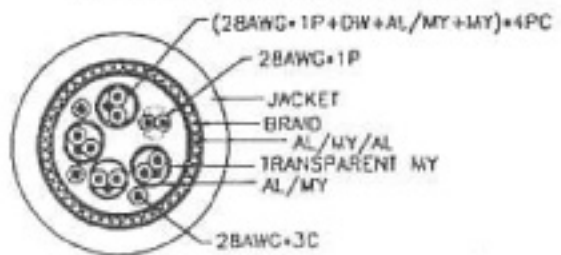
2755



- NOTES:
1. WRE: UL20276(28AWG*1P+EAM)*4+28AWG*1P+28AWG*3C+DAB 85%
OO=7.3MM JAKET COLOR: IVORY
 2. CONN: J1,J2-DVI 18P+1 MALE SOLDER ASSY TYPE W/TS
(CONTACT PLATED GOLD)INNER SHIELD: TINPLATE 360° SHIELDING
W/PLASTIC HOOD+"E" LOGO ON THE PIN1~8 SIDE
 3. W/"9.5*17.5*28.5MM" FERRITE CORE AT 5CM FROM EACH SR
F.C OUTSIDE MOLDING COLOR: Ivory
 4. SCREW: 2.8*32.0MM(#4-40 UNC)
 5. CONN INSULATOR COLOR: BLACK
 6. PLASTIC HOOD COLOR: SNOW WHITE
 7. LENGTH: 2M ± 75mm
 8. PACKING: W/CLEAR POLYBAG

PIN OUT

	(DVI18+1)J1		J2(DVI18+1)
(1P+S)-1	1 WHITE	XX	1
	2 BROWN	XX	2
	3 DRAIN WIRE	XX	3
(1P+S)-2	9 WHITE	XX	9
	10 RED	XX	10
	11 DRAIN WIRE	XX	11
(1P+S)-3	17 WHITE	XX	17
	18 GREEN	XX	18
	19 DRAIN WIRE	XX	19
(1P+S)-4	24 BLUE	XX	24
	23 WHITE	XX	23
	22 DRAIN WIRE	XX	22
PAIR	6 RED	XX	6
	7 VIOLET	XX	7
	14 YELLOW		14
	15 ORANGE		15
	16 WHITE		16
	SHELL		SHELL



SCALE: 4:1

1-0		SEP-14-2001	
REV	DESCRIPTION	DATE	ECN NO:
DWG NAME: DVI CABLE			
C. W. NO:		CUS. ID:	
CUS. NO:		DWG. NO: S-24	
SHEET: 1/1	TOLERANCE:	UWT:	mm
	. X		
	. KX ±0.40	DRAW. BY:	何偉
	SCALE: 1:1.3	CHECKED:	何偉