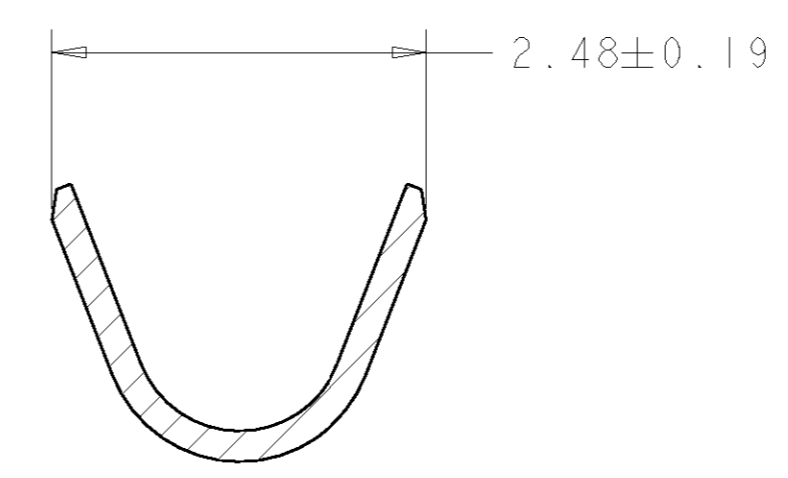
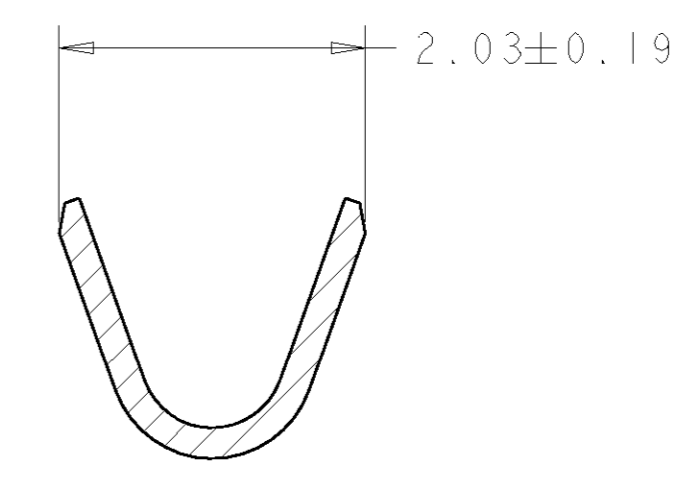
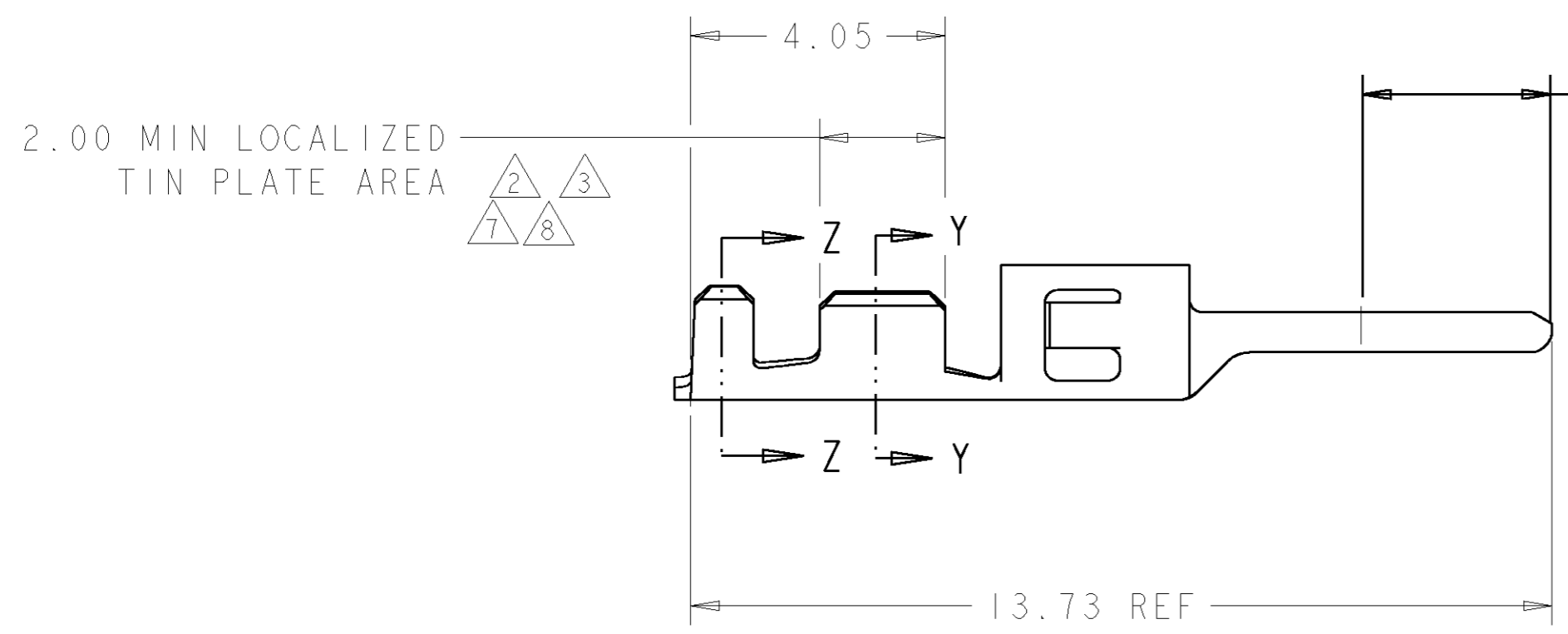
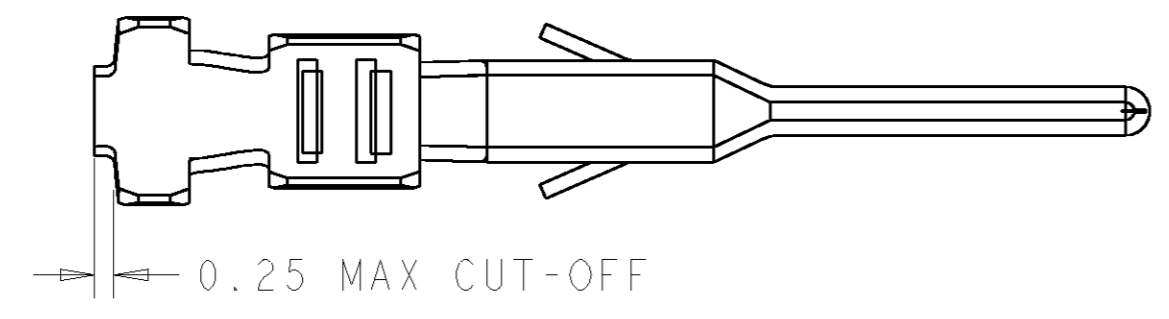


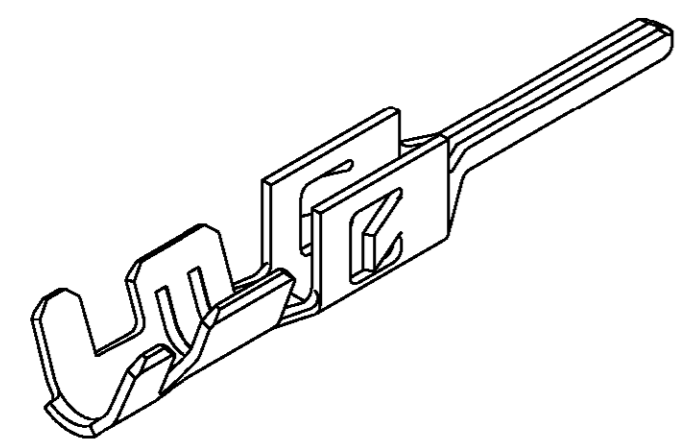
THIS DRAWING IS UNPUBLISHED. RELEASED FOR PUBLICATION 20  
 © COPYRIGHT 20 BY TYCO ELECTRONICS CORPORATION. ALL RIGHTS RESERVED.

LOC	DIST	REVISIONS					
		P	LTR	DESCRIPTION	DATE	DWN	APVD
CM	00		A	REVISED PER 063B-0289-03	24-JUN-03	KW	CJ
			B	REVISED PER 063B-0519-03	24-JUN-03	KW	CJ
			C	REVISED PER 063B-1055-04	05JAN05	KW	CJ

- ① 2.54 µm MIN BRIGHT TIN/LEAD ENTIRE STOCK OVER 1.27 µm MIN NICKEL ENTIRE STOCK.
- ② 0.38 µm MIN GOLD IN LOCALIZED GOLD PLATE AREA, 2.5 µm MIN BRIGHT TIN/LEAD IN LOCALIZED TIN/LEAD PLATE AREA, BOTH OVER 1.27 µm MIN NICKEL ON ENTIRE STOCK.
- ③ 0.76 µm MIN GOLD IN LOCALIZED GOLD PLATE AREA, 2.5 µm MIN BRIGHT TIN/LEAD IN LOCALIZED TIN/LEAD PLATE AREA, BOTH OVER 1.27 µm MIN NICKEL ON ENTIRE STOCK.
- 4. WIRE RANGE 20-24 AWG.
- 5. INSULATION RANGE 0.89-1.52
- ⑥ 2.54 µm MIN BRIGHT TIN ENTIRE STOCK OVER 1.27 µm MIN NICKEL ENTIRE STOCK.
- ⑦ 0.38 µm MIN GOLD IN LOCALIZED GOLD PLATE AREA, 2.5 µm MIN BRIGHT TIN IN LOCALIZED TIN PLATE AREA, BOTH OVER 1.27 µm MIN NICKEL ON ENTIRE STOCK.
- ⑧ 0.76 µm MIN GOLD IN LOCALIZED GOLD PLATE AREA, 2.5 µm MIN BRIGHT TIN IN LOCALIZED TIN PLATE AREA, BOTH OVER 1.27 µm MIN NICKEL ON ENTIRE STOCK.
- ⑨ LEAD FREE, ROHS COMPLIANT.



⑨	⑧	1-794612-2
⑨	⑦	1-794612-1
⑨	⑥	1-794612-0
	③	794612-3
	②	794612-2
	①	794612-1
FINISH		PART NUMBER



METRIC

<small>THIS DRAWING IS A CONTROLLED DOCUMENT FOR TYCO ELECTRONICS CORPORATION          SUBJECT TO CHANGE AND THE CONTROLLING ENGINEERING ORGANIZATION          SHOULD BE CONTACTED FOR THE LATEST REVISION.</small>		DWN W J RUDY 29AUG2000 CHK W DAVIS 29AUG2000 APVD W DAVIS 29AUG2000	<b>AMP</b> Tyco Electronics Harrisburg, PA 17105-3608
DIMENSIONS: mm 	TOLERANCES UNLESS OTHERWISE SPECIFIED: 0 PLC ± 1 PLC ± 2 PLC ±0.13 3 PLC ± 4 PLC ± ANGLES ± FINISH -	PRODUCT SPEC - APPLICATION SPEC - WEIGHT -	NAME PLUG CONTACT, CRIMP SNAP, 20-24 AWG LOOSE PIECE, MICRO MATE-N-LOK™ SIZE A2 CAGE CODE 00779 DRAWING NO. 794612 RESTRICTED TO - CUSTOMER DRAWING SCALE 10:1 SHEET 1 OF 1 REV C