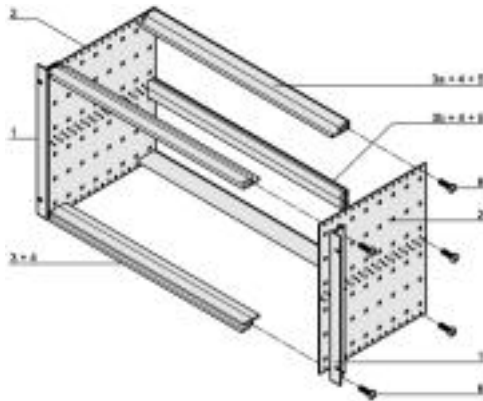


**Kit, unshielded, light, for backplane mounting**
[Print page](#)


6 U



Rear horizontal rail for backplane assembly

**Article number: 24563-434**

- Rear horizontal rail with insulation strip for backplane mounting
- Subrack in lightweight version

**Delivery comprises: kit**

Item	Qty	Description
1	2	19" support bracket
2	2	Side panel type F
3	2	Horizontal rail front (L-KD)
3 a	2	Rear horizontal rail (L-ST)
3 w	1	Horizontal rail centre (ST)
4	6	Threaded insert, pre-mounted
5	4	Insulation strip, assembled
6	1	Assembly kit

**Technical data:**




Description	Height	Width	Depth
Kit, unshielded, light, for backplane mounting	6 U	84 HP	355 mm

**Accessories:**

Article number	Description
24560-351	Guide rail, 160 mm deep PBT, UL 94 V-0, red, groove width 2 mm, PU 10 pieces

24560-353	Guide rail, 220 mm deep PBT, UL 94 V-0, red, groove width 2 mm, PU 10 pieces
24560-255	ESD clip for guide rail PU 50 pieces
24561-051	Cover plate standard, 160 mm deep Al, 1.2 mm, perforated, to push into light horizontal rail, PU 2 pieces
24561-052	Cover plate standard, 220 mm deep Al, 1.2 mm, perforated, to push into light horizontal rail, PU 2 pieces
21100-435	Assembly set, PU 8 x screw, washer, nut for assembly of subracks in a 19" case or a cabinet
20822-048	Perforated rail for connector according to EN 60603-2 (DIN 41612) 84 HP, with thread M2.5, PU 4 pieces

#### Further Information:

	3D PDF with CAD data (STEP/DWG/DXF/PDF)
	User Manual
	Reference project: Semiconductor test system

**Montageanweisung  
europac PRO  
Baugruppenträger**

**Assembly instructions  
europac PRO  
Subrack**

**Instructions de montage  
europac PRO  
Bac à cart**

