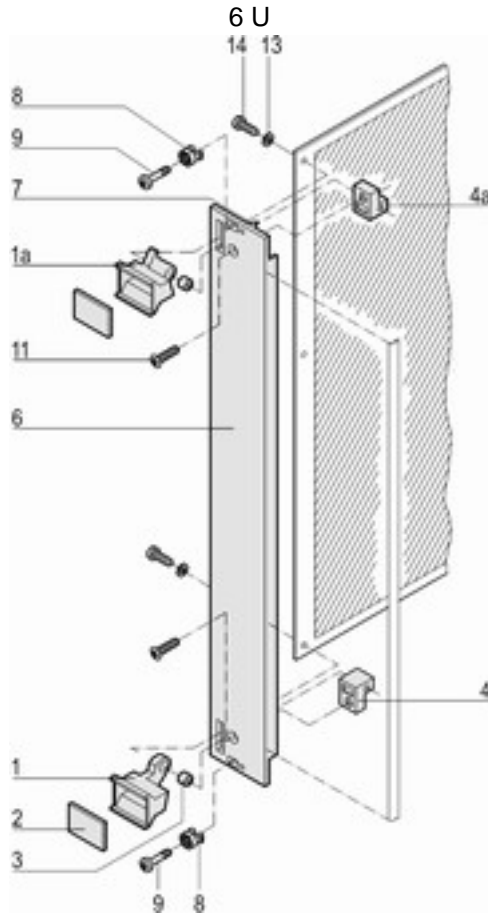


Plug-in units type 2 with extraction handle – front panel shielded
[Print page](#)

Article number: 20848-492

- At 6 U, the printed board location can be moved 1 HP to the right by swapping the upper and lower printed board brackets. This creates space for SMD components on the left hand side (solder side), only for printed board thickness of 1.6 mm.

Delivery comprises: kit

Item	Qty	Description
1	1	Extractor handle, trapezium shape, PPE, grey, bottom
1a	1	Extractor handle, trapezium shape, PPE, grey, top
2	2	Identification plate, Al, 1.5 mm, anodised, cut edges plain
3	2	Bearing female connector, Ms
4	1	Printed board bracket, Zn, die-cast, bottom
4a	1	Printed board bracket, Zn, die-cast, top
6	1	U front panel for extractor handle in trapezium shape, anodised front, conductive rear
7	2	Alignment pin, pressed-in, stainless steel
8	2	Sleeve, PA, grey, up to 7 HP front panel width
8	4	Sleeve, PA, grey, from 8 HP front panel width
9	2	Pozidrive collar screw, St, nickel-plated, M2.5 × 12.3, up to 7 HP front panel width
9	4	Pozidrive collar screw, St, nickel-plated, M2.5 × 12.3, from 8 HP front panel width
11	2	Raised countersunk screw, M2.5 × 8
12	1	EMC textile seal
13	2	Washer, A2.7, DIN 125
14	2	Pozidrive flathead screw, St, nickel-plated, M2.5 × 10

Technical data:
Width
Height

4 HP

6 U

Further Information:



User Manual
User Manual