



**FUTTERS
(LONDON)
LTD.**

**PRODUCT
SPECIFICATION**

MODULE CASE

518-890

Sheet No. **PS 0723**

Date : 29.04.94

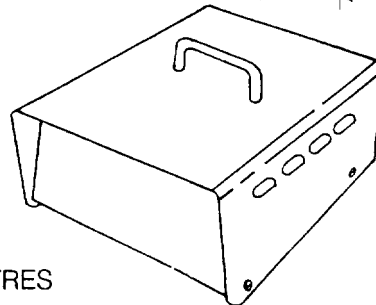
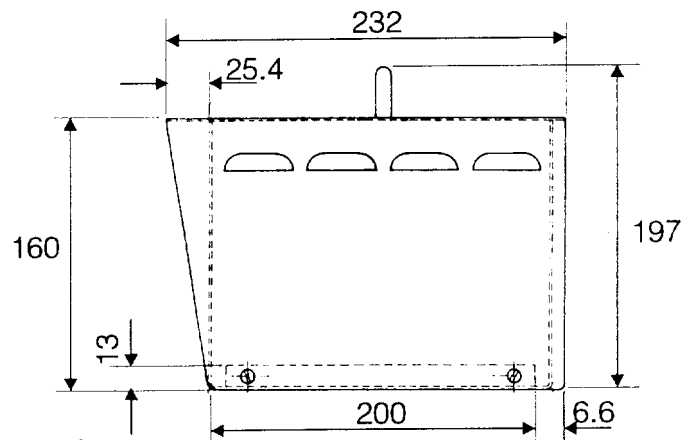
Issue No. 1

Sheet 1 of 1

Signature

Deltron Part No. **518-0920**

Dimensions



CASE WIDTH = 300

DIMENSIONS IN MILLIMETRES

Description

A range of two-part constructed mild steel cases which are ideally suited for portable or benchtop instruments. An optional, removable carrying handle is supplied. This range is finished in an acrylic paint finish two tone grey. Adequate ventilation has been allowed for in the design of this case by the inclusion of louvres. The front and rear panels are protected by an extended top cover and all cases are supplied with self-adhesive feet.

Top cover is made from 1.0mm thick,
Base is made from 1.2mm thick.

Internal Dims.

*297mm WIDE x 197mm LONG
x 157mm HIGH*