

5

4

3

2

1

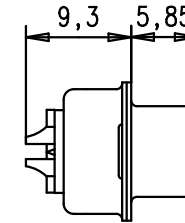
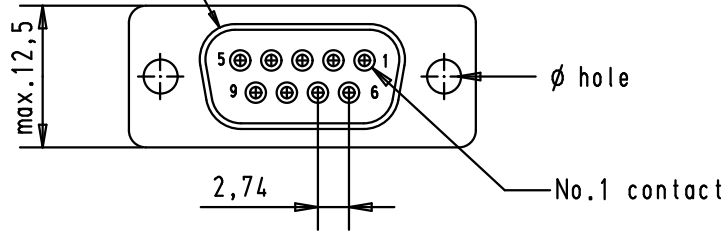
D

C

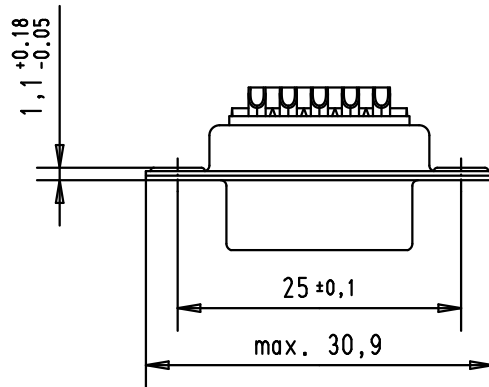
B



A

Mating face according to : MIL-C-24308 / DIN 41652 / CECC 75301-802



Max wire  $\phi$  1,05 mm



						Det.	Name	 All Dim. in mm Orig. Size DIN A 4	D-Sub, Female, Straight 09 Poles with stamped solder buckets and hole	Maßstab/ Scale  1.5:1
						Insp.	CV			
						Stand.	JB			
09 67 209 4715	3,1 $+0,1$	2	EC02094	28-APR-11	SD	HARTING EURL F-95972 Paris		<b>TB 096720947xx</b>	Blatt/ Page 1	
09 67 209 4704	3,1 $+0,1$	3	31526 29777	21-JUL-03 24-APR-02	TCP CV					
Part number	$\phi$ hole	Performance level	Mod.	Dat.	Name	Sub.				