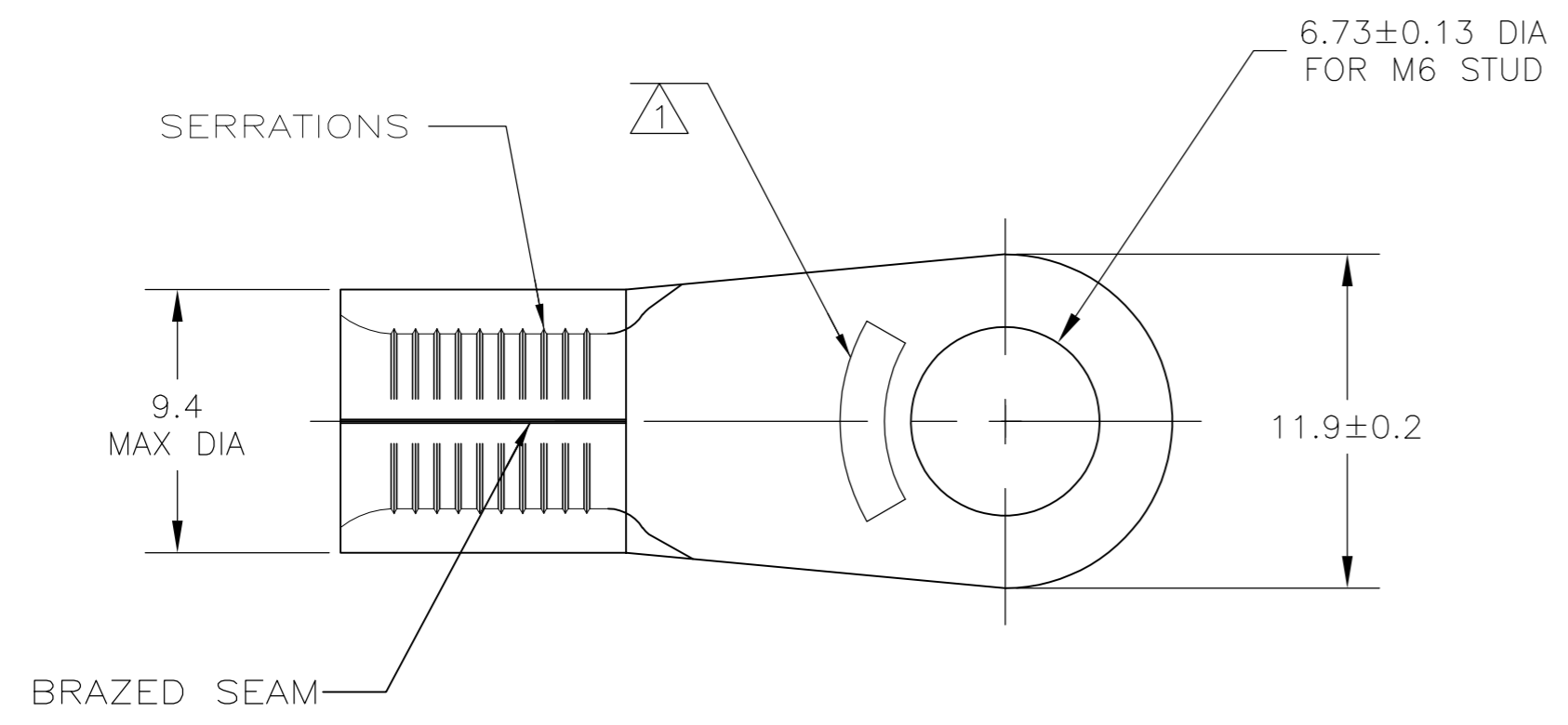


THIS DRAWING IS UNPUBLISHED. RELEASED FOR PUBLICATION
 © COPYRIGHT BY TYCO ELECTRONICS CORPORATION. ALL RIGHTS RESERVED.

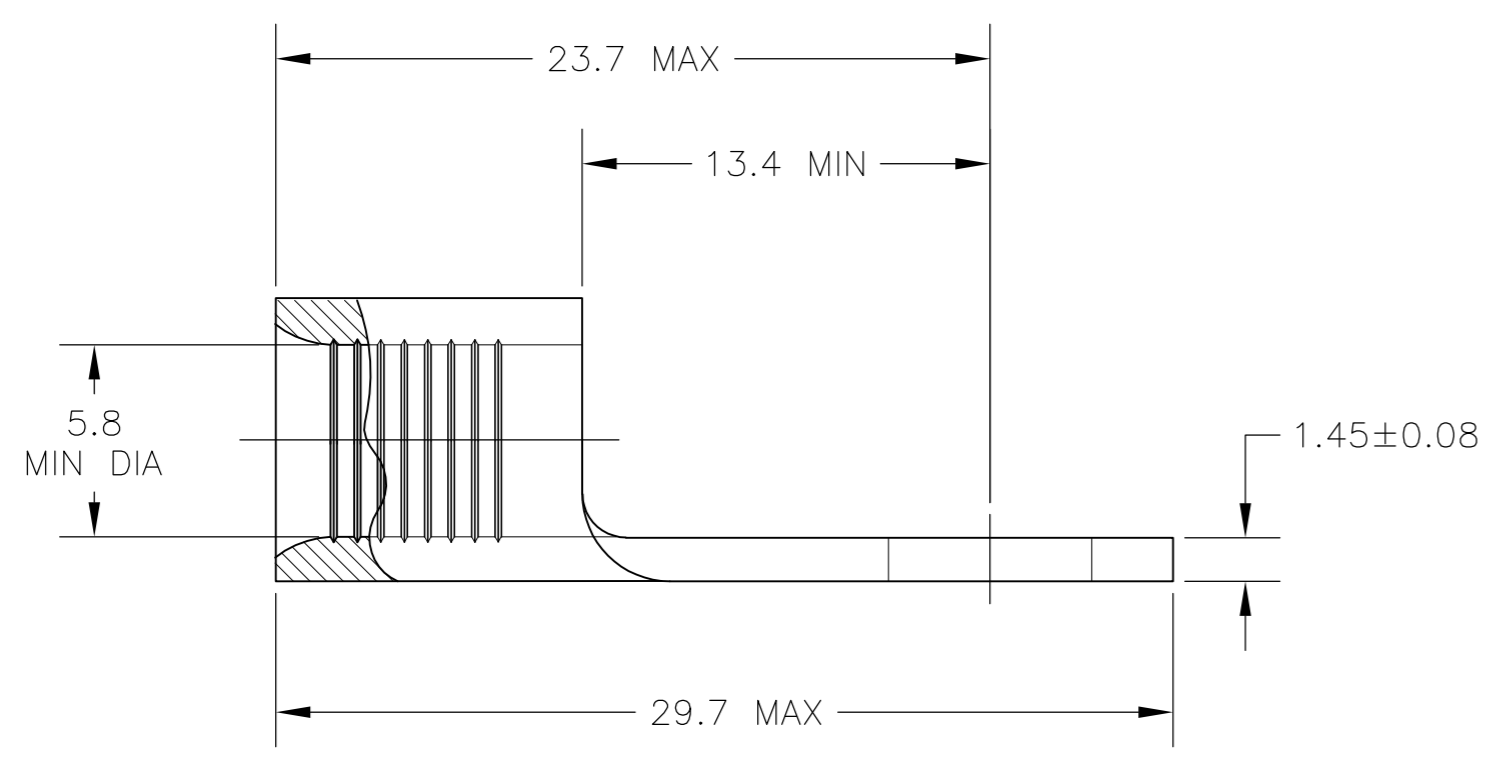
LOC	DIST	REVISIONS					
		P	LTR	DESCRIPTION	DATE	DWN	APVD
G	14		A	REDRAWN PER ECR 05-010490	08SEP05	JR	TM
			A1	REVISED PER ECO-09-020935	29AUG09	KK	AEG



AMP
WIRE RANGE

6 AWG
SOLID OR STRANDED

- 1 STAMP AMP 6* APPROX AS SHOWN
- 2 COPPER PER ASTM B-152, ANNEALED
- 3 MAX OPERATING TEMP IS 170°C
- 4 WIRE CROSS SECTIONAL AREA RANGE:
10.5-16.8mm² [20,800-33,100] CIR MILS
SOLID OR STRANDED WIRE
- 5 OBSOLETE PARTS: OBSOLETE CIS STREAMLINING
PER D.RENAUD/D.SINISI



5	OBSOLETE	LOOSE PIECE BOX	25	TIN PLATE 0.00254[.000100] MIN THK PER ASTM B-545	8 130554 1
		LOOSE PIECE	100	TIN PLATE 0.00254[.000100] MIN THK PER ASTM B-545	130554
		PACKAGE TYPE	QTY	FINISH	PART NO.

THIS DRAWING IS A CONTROLLED DOCUMENT.		DWN	JR RUTH	08SEP05	Tyco Electronics Corporation Harrisburg, Pa 17105-3608
DIMENSIONS: mm INCHES		CHK	T MICHIELUTTI	08SEP05	
TOLERANCES UNLESS OTHERWISE SPECIFIED:		APVD	T MICHIELUTTI	08SEP05	
0 PLC ± - 1 PLC ± - 2 PLC ± - 3 PLC ± - 4 PLC ± - ANGLES ± -		NAME		PRODUCT SPEC	
MATERIAL		FINISH		SEE TABLE	APPLICATION SPEC - WEIGHT - SIZE A2 CAGE CODE 00779 DRAWING NO C=130554 RESTRICTED TO - SCALE 4:1 SHEET 1 OF 1 REV A1
CUSTOMER DRAWING					

130554