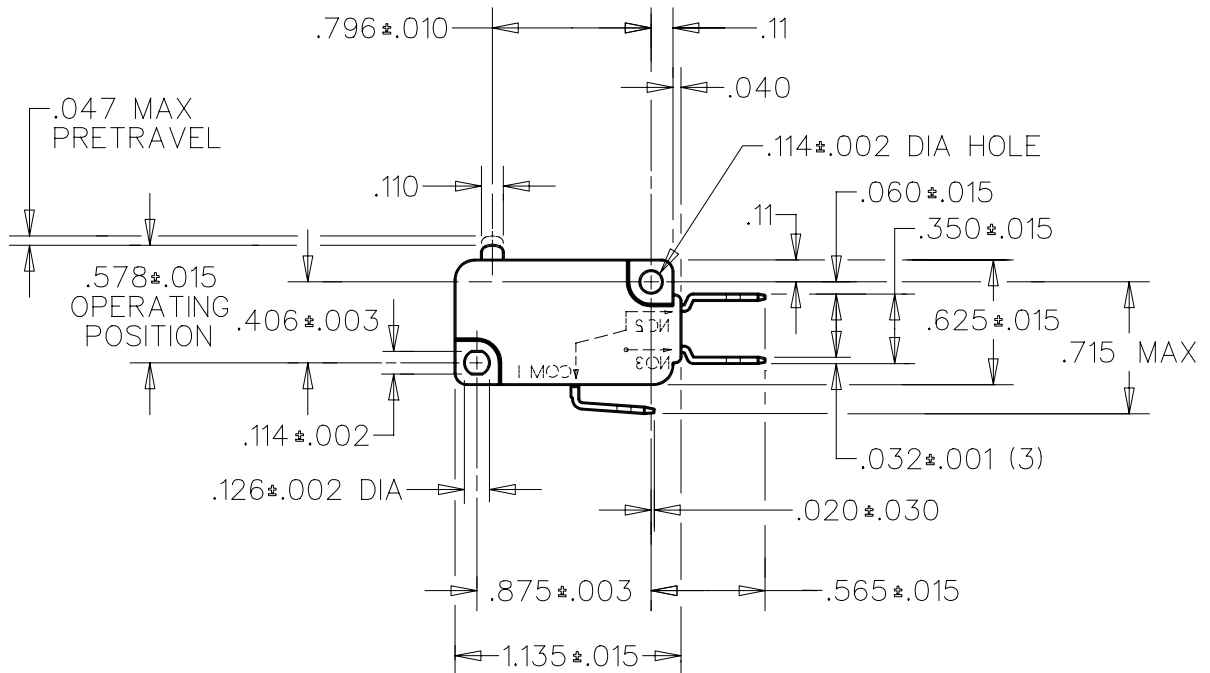
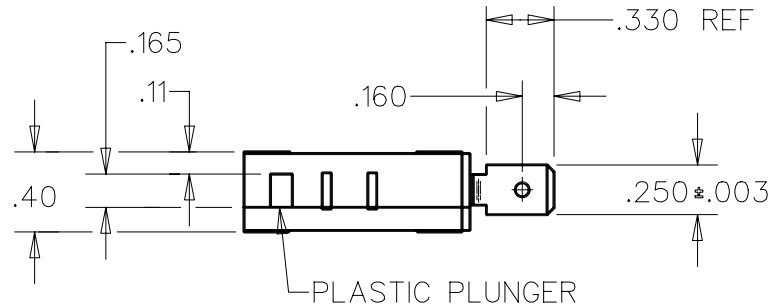
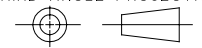


CATALOG LISTING
V7-3E17E9
 REPLACES X94132-V7
 RELEASE NO. PR-19034
 CHECK
 REVISIONS
 A CO-76104
 GRT
 6 OCT 93
 CHECK
 W J C 20 MAR 91
 CHECK
 W J C 13 MAR 91
 DRAWN
 J A P 13 MAR 91
 DDM/CAD



THIS DRAWING COVERS A PROPRIETARY ITEM AND IS THE PROPERTY OF MICRO SWITCH, A DIVISION OF HONEYWELL. THIS DRAWING IS NOT TO BE COPIED OR USED WITHOUT THE APPROVAL OF MICRO SWITCH.

THIRD ANGLE PROJECTION



CHARACTERISTICS	ELECTRICAL DATA	SCALE FULL	DO NOT SCALE PRINT
OPERATING FORCE --- 50 GRAMS MAX	CONTACT ARRANGEMENT S P D T	UNLESS OTHERWISE SPECIFIED TOLERANCES ARE ONE PLACE (.0) ±.030 TWO PLACE (.00) ±.015 THREE PLACE (.000) ±.005 ANGLES ± WEIGHT	
RELEASE FORCE --- 5 GRAMS MIN	L216 10A 1/3HP 125, <u>250</u> OR 277 VAC 1/2A 125 VDC 1/4A 250 VDC; 4A 125 VAC "L"		
DIFFERENTIAL TRAVEL --- .002-.010			
OVERTRAVEL --- .050 MIN			
FREE POSITION --- .625 MAX			
RELEASE TRAVEL --- .010 MIN			

