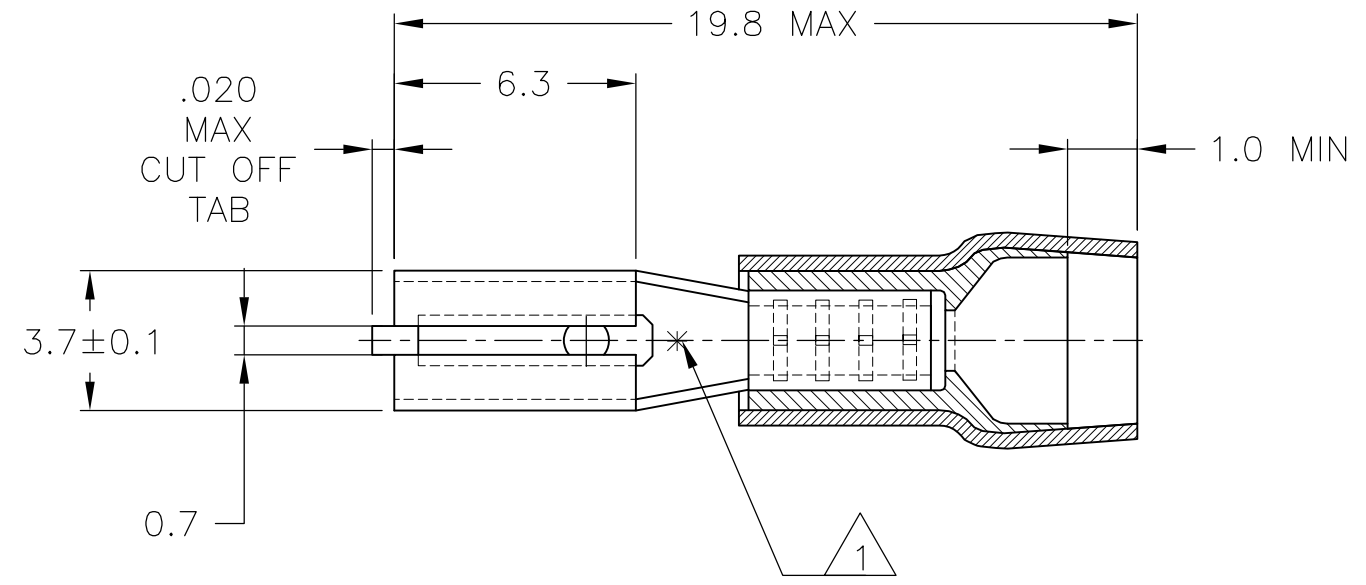


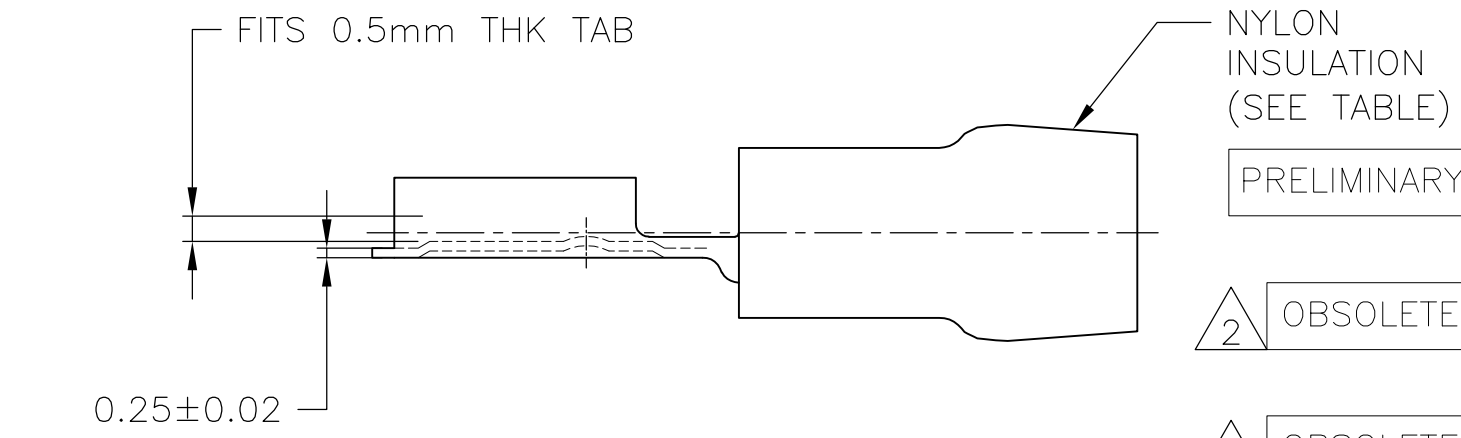
THIS DRAWING IS UNPUBLISHED. RELEASED FOR PUBLICATION
 © COPYRIGHT - By - ALL RIGHTS RESERVED.

LOC	DIST	REVISIONS			
P	LTR	DESCRIPTION	DATE	DWN	APVD
G	02	M4	REVISED PER ECO-16-004029	16MAR2016	NK DR

AMP WIRE RANGE	AMP INSULATION RANGE
22-16 AWG 0.3-1.5 mm ²	.140 MAX DIA 3.5 MAX DIA



- 1 ASTERISK * FOR PHOS BRONZE VERSION ONLY.
- 2 OBSOLETE W/O REPLACEMENT.



PRELIMINARY	WHITE	-	GOLD	PHOS BRONZE	2-165565-3
	RED	-	GOLD	PHOS BRONZE	165565-6
2 OBSOLETE	RED	-	GOLD	BRASS	165565-5
	RED	-	SILVER	PHOS BRONZE	165565-4
2 OBSOLETE	RED	-	SILVER	BRASS	165565-3
	RED	2-165565-2	TIN	PHOS BRONZE	165565-2
	RED	2-165565-1	TIN	BRASS	165565-1
	INSULATION COLOR	PN ON TAPE	FINISH	MATERIAL	PART NUMBER

THIS DRAWING IS A CONTROLLED DOCUMENT.		DWN jr_ruth 15APR05	STE TE Connectivity		
DIMENSIONS: mm		CHK T MICHELUTTI 15APR05			
TOLERANCES UNLESS OTHERWISE SPECIFIED:		APVD T MICHELUTTI 15APR05	NAME		
0 PLC ± -		PRODUCT SPEC	RECEPTACLE, FASTON, PIDG, .110 SERIES		
1 PLC ± 0.2		APPLICATION SPEC	SIZE	CAGE CODE	DRAWING NO
2 PLC ± -		WEIGHT	A3	00779	C-165565
3 PLC ± -		CUSTOMER DRAWING	SCALE	SHEET	REV
4 PLC ± -			5:1	1 OF 1	M4
ANGLES ± 5°					
MATERIAL					
FINISH					