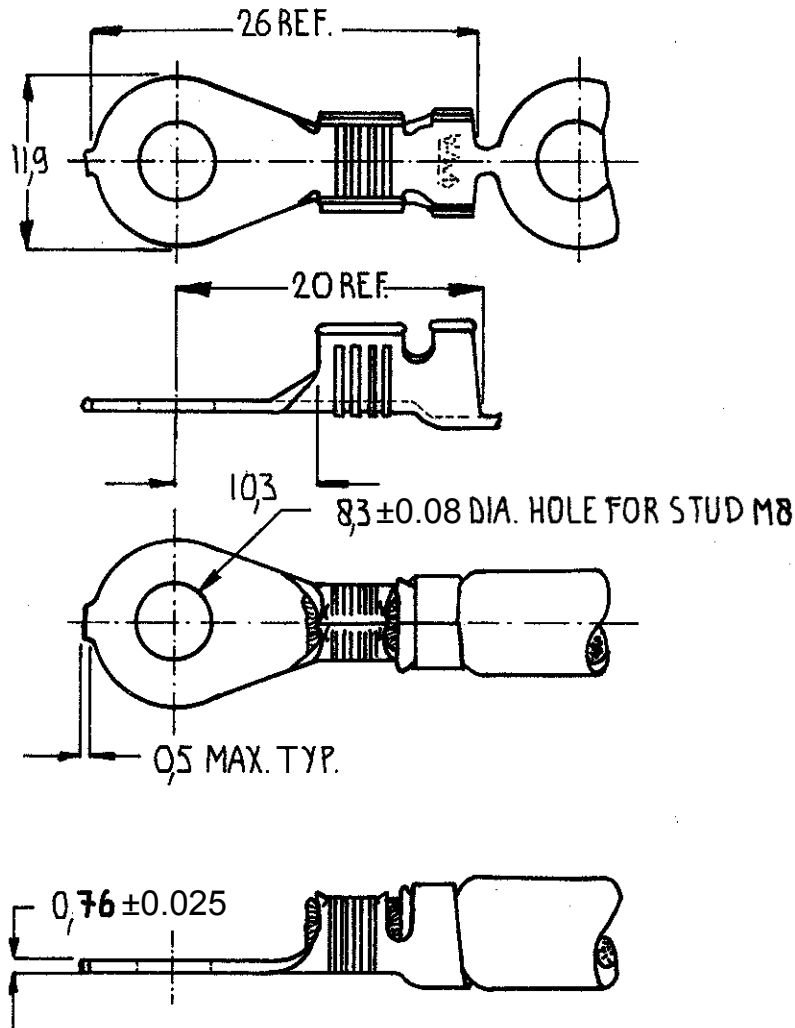
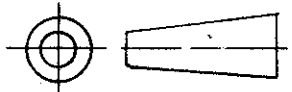


DO NOT SCALE

DIMENSIONS IN mm

METRIC

THIRD ANGLE
PROJECTION



NOTES: $\triangle 1$ FOR USE ON STANDARD AND MINIATURE APPLICATORS

$\triangle 2$ FOR USE ON MINIATURE APPLICATORS (AMP-O-MATOR APPLICATION)

3 The tolerances of unspecified dimension are ±0.20mm

$\triangle 1/\triangle 2$	UNPLATED	BRASS	160336-3
$\triangle 1/\triangle 2$	TINPLATED	BRASS	160336-2
$\triangle 1$	UNPLATED	BRASS	160336-1
NOTES	FINISH	MATERIAL	PART NUMBER

CUSTOMER
DRAWING

FOR REFERENCE ONLY
WILL NOT BE UPDATED

AMP

AMP-HOLLAND B.V.
's-Hertogenbosch, The Netherlands

THIS DRAWING IS UNPUBLISHED

RELEASED FOR PUBLICATION

19

© COPYRIGHT 19 BY AMP-HOLLAND B.V.

ALL INTERNATIONAL RIGHTS RESERVED.

AMP PRODUCTS MAY BE COVERED BY U.S. AND FOREIGN PATENTS AND/OR PATENTS PENDING.

DR. *[Signature]* 21/4.83

WIRE RANGE
3,1 - 5,3 mm²

NAME
RING TONGUE

REV. DATE
D M Y

CHK. *[Signature]* 28/4.83

INSUL. RANGE
3,8 - 5,3 DIA.

28 4 83

APP. *[Signature]* 28.4.83

SIZE
A4

SHEET
1 OF 1

DRAWING NO
C-160336

REV. LTR.
01