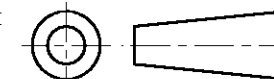


DO NOT SCALE
DIMENSIONS IN mm

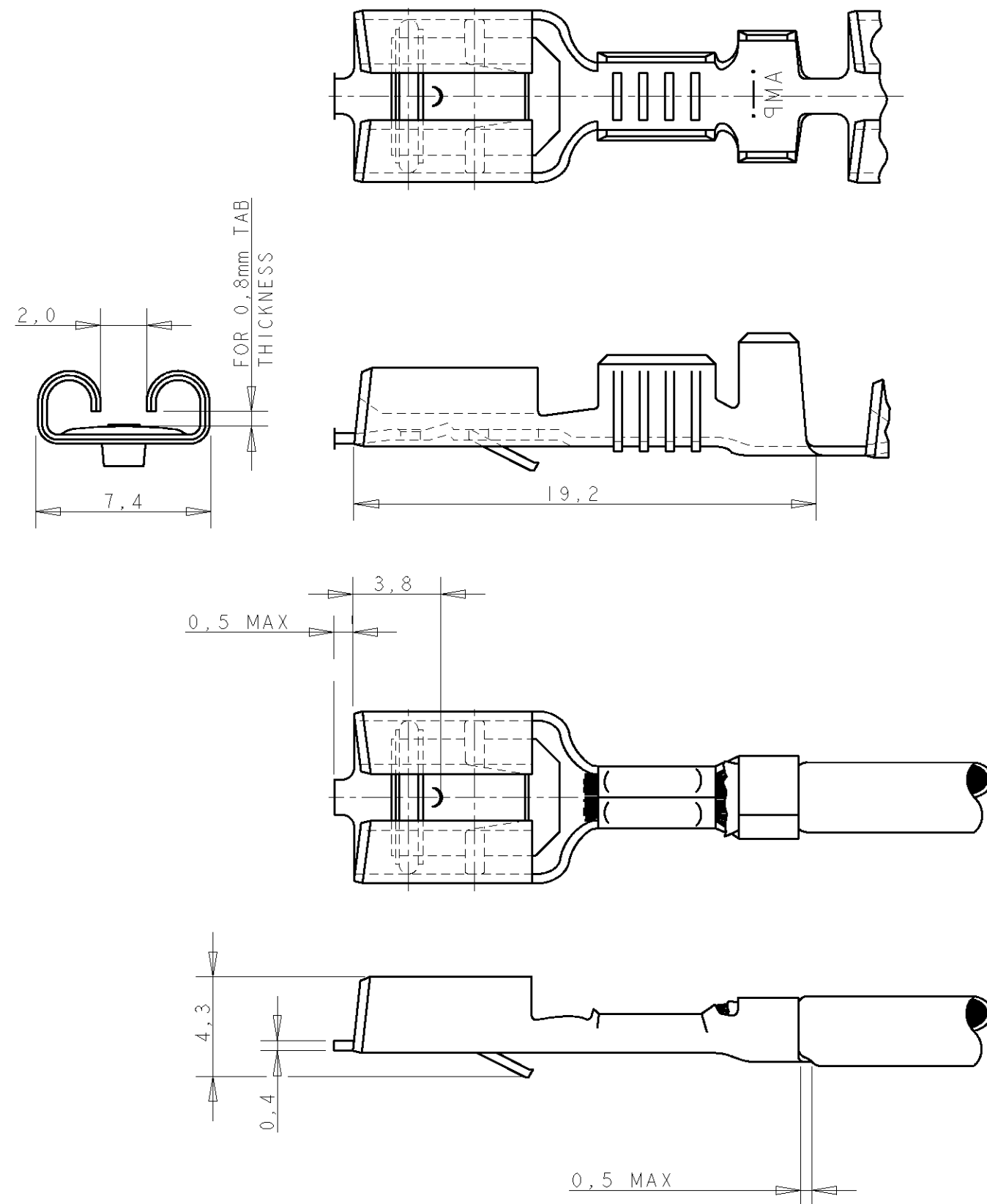
METRIC

THIRD ANGLE
PROJECTION



NOTES

- 1. FOR USE ON MINIATURE APPLICATORS (LEFT-RIGHT FEED) AND STANDARD APPLICATORS (RIGHT-LEFT FEED).
- 2. REELED WITH PAPER AND PAPER COVER.
- 3. OBSOLETE PARTS: OBSOLETE CIS STREAMLINING PER D.RENAUD/D.SINISI



WIRE RANGE :
>1,0-2,5 mm²
INSULATION RANGE :
2,1-3,1 DIA.

GENERAL TOLERANCES ±0.3

NOTES	FINISH	MATERIAL	PARTNUMBER
OBSOLETE 3	PRE-TINPLATED	PH.BRONZE	6-160917-8
	PRE-TINPLATED	BRASS	6-160917-7
	TINPLATED	PH.BRONZE	160917-4
	UNPLATED	PH.BRONZE	160917-3
	TINPLATED	BRASS	160917-2
	UNPLATED	BRASS	160917-1

CUSTOMER DRAWING				FOR REFERENCE ONLY WILL NOT BE UPDATED	
THIS DRAWING IS UNPUBLISHED RELEASED FOR PUBLICATION JULY, 19 87					
STE TE Connectivity					
NAME .250 SRS FASTIN-ON RECEPTACLE.					
E3	REVISED PER ECO-11-005139	RK	HMR	28MAR11	
LTR.	REVISION RECORD	DR.	CHK.	DATE	
DR.:	R.V.LOKVEN.	CHK.:	A.BIJNEN.	APP.:	L.V.SOEST.
DATE:	31-07-87	DATE:	10-08-87	DATE:	25-08-887
DWG.No. 160917				REV.LTR. E3	SHEET 1 OF 1