

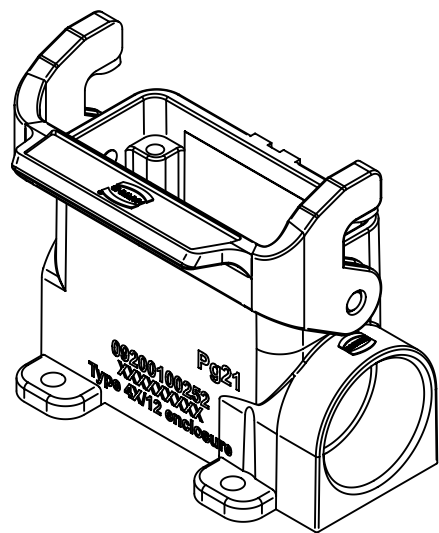
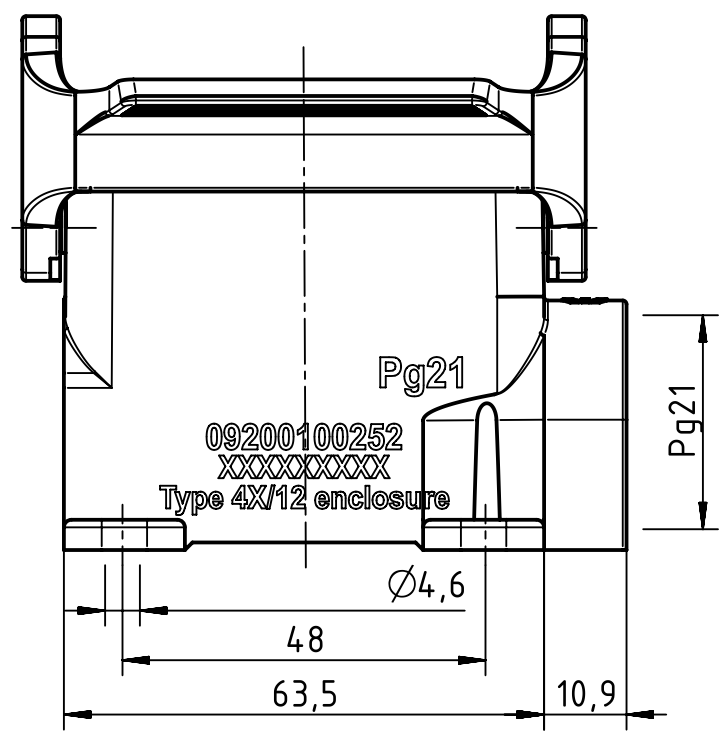
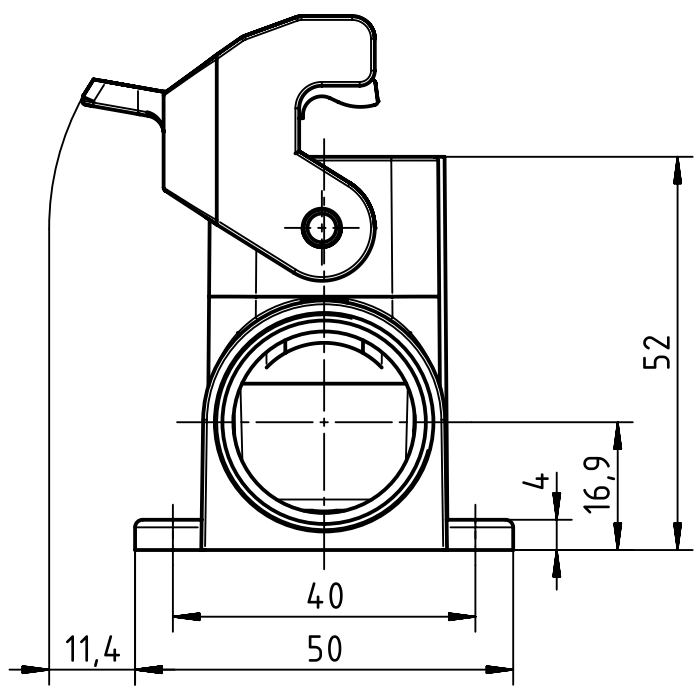
1 2 3 4 5 6

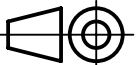

A

B

C

D



 All Dimensions in mm Original Size DIN A4	Scale	Free size tol.			Ref.
	1:1				Sub. TB 09 20 010 0252 v. 23.02.93
 All rights reserved Department EL PD - DE	Created by	Inspected by	Standardisation	Date	State
	FINKEV	BERGHORN	TIEMANNA	2017-12-18	Final Release
HARTING Electric GmbH & Co. KG D-32339 Espelkamp	Title				Doc-Key / ECM-Nr.
	Han 10 A-asg1-LB-21				100189737/UGD/004/C 500000128972
Type		Number		Rev.	Page
TB		09 20 010 0252		C	1/1