

THIS DRAWING IS UNPUBLISHED.

RELEASED FOR PUBLICATION

20

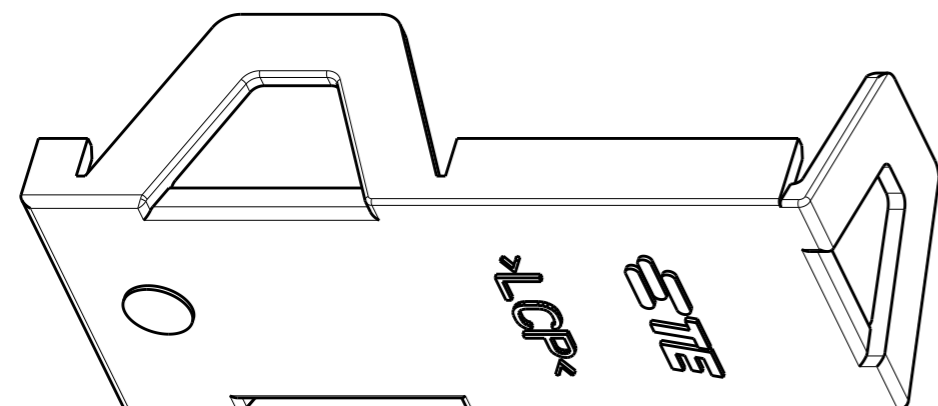
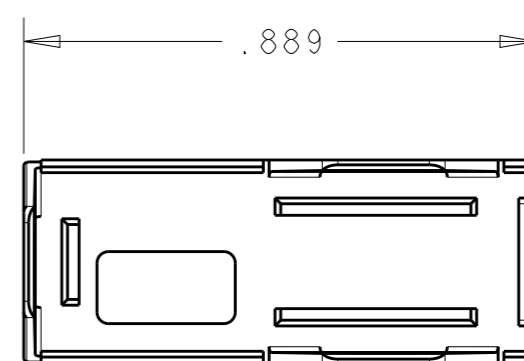
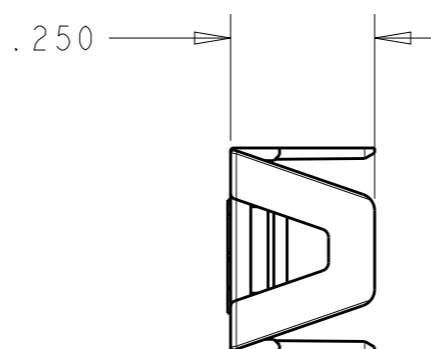
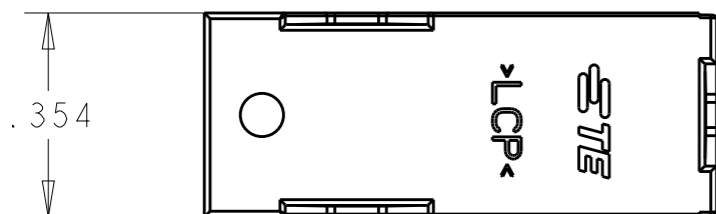
© COPYRIGHT 20 BY -

ALL RIGHTS RESERVED.


REVISIONS

P	LTR	DESCRIPTION	DATE	DWN	APVD
	A	REVISED PER ECR-17-015197	23OCT2017	BDA	MD

1. BACK COVER SOLUTION FOR TE PN: 1969823-1
2. THIS PROCUST HAS NOT COMPLETED QUALIFICATION TESTING
3. FOR SINGLE USE ONLY. LATCHES WILL FRACTURE WHEN REMOVING COVER FROM HOUSING



LCP	1969826-1
MATERIAL	PART NUMBER

THIS DRAWING IS A CONTROLLED DOCUMENT.		DWN 12/22/16 MICHAEL DIDONATO	 TE Connectivity	
DIMENSIONS: in		CHK 12/27/16 GARY ALTEMOSE		
TOLERANCES UNLESS OTHERWISE SPECIFIED:		APVD 12/27/16 MICHAEL DIDONATO	NAME MK II HIGH TEMP HSG COVER	
0 PLC ±-		PRODUCT SPEC 108-143022	SIZE A3	
1 PLC ±-		APPLICATION SPEC -	CAGE CODE -	DRAWING NO C-1969826
2 PLC ±-.010		WEIGHT -	RESTRICTED TO -	
3 PLC ±-		CUSTOMER DRAWING	SCALE 3:1	SHEET 1 OF 1
4 PLC ±-			REV A	
ANGLES ±-				
FINISH -				
MATERIAL LCP				