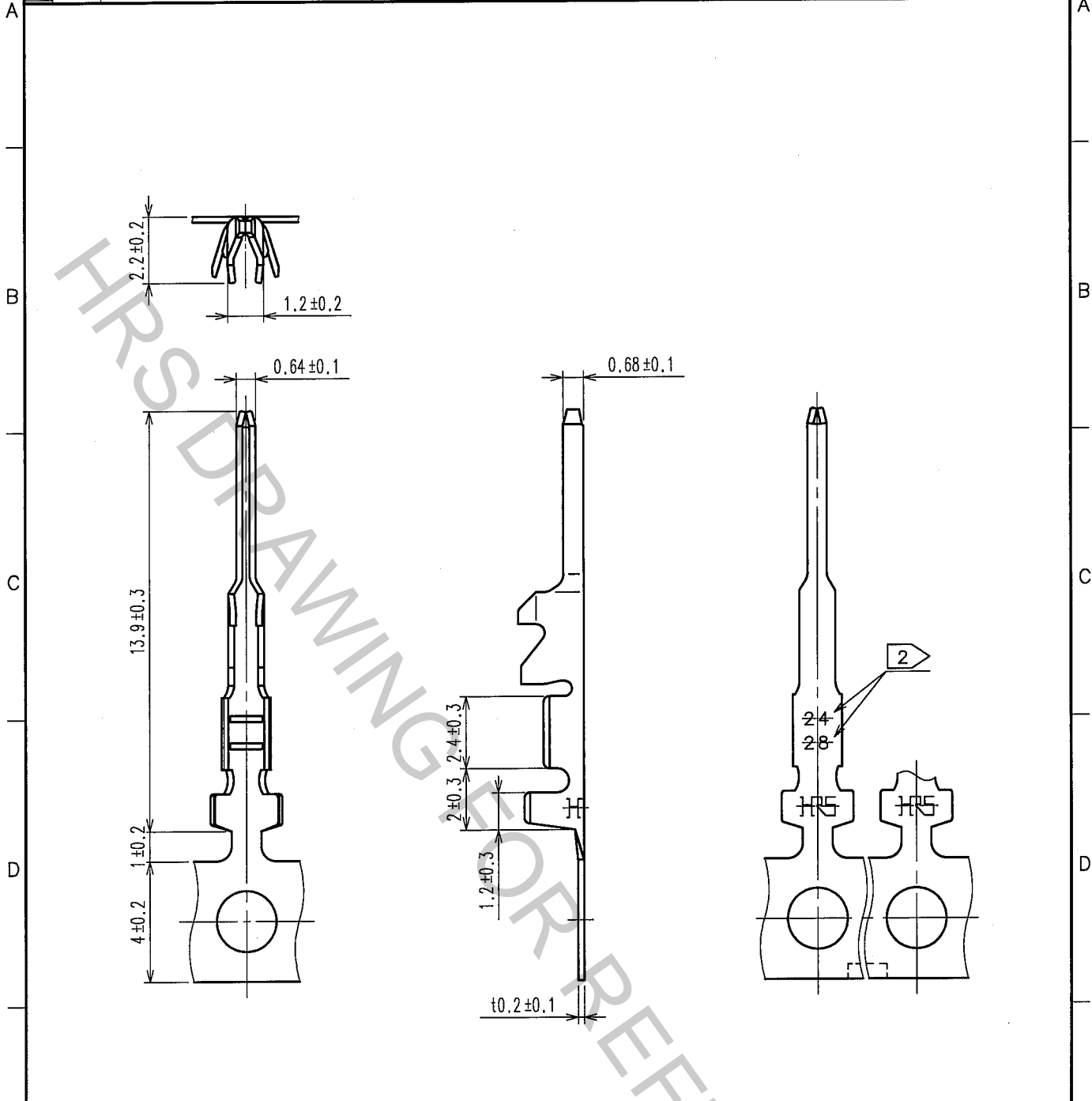


Oct.1.2018 Copyright 2018 HIROSE ELECTRIC CO., LTD. All Rights Reserved.
 In case that the application demands a high level of reliability, such as automotive,
 please contact a company representative for further information.

1	2			3			4		
COUNT	DESCRIPTION OF REVISIONS	BY	CHKD	DATE	COUNT	DESCRIPTION OF REVISIONS	BY	CHKD	DATE
△					△				
△					△				
△					△				



Note 1 :10000 Pieces/Reel
 2 :Indicated Applicable Cable Size.

NO.	MATERIAL	FINISH, REMARKS	NO.	MATERIAL	FINISH, REMARKS
			1	Phosphor Bronze	Tin Plating 1μ m min.

CODE NO. (OLD)	DRAWN	DESIGNED	CHECKED	APPROVED	RELEASED
	T.FUKUSHIMA	T.fukushima	H.Umehara	J.Oma	
	07.03.19	07.03.19	07.03.20	07.03.20	

TO

SCALE 5 : 1 UNITS mm	DRAWING NO. EDC4-161022-01 HIROSE ELECTRIC CO.,LTD.	PART NO. DF1E-2428PCF CODE NO. CL541-0939-3	1 1
-------------------------------	---	--	--------