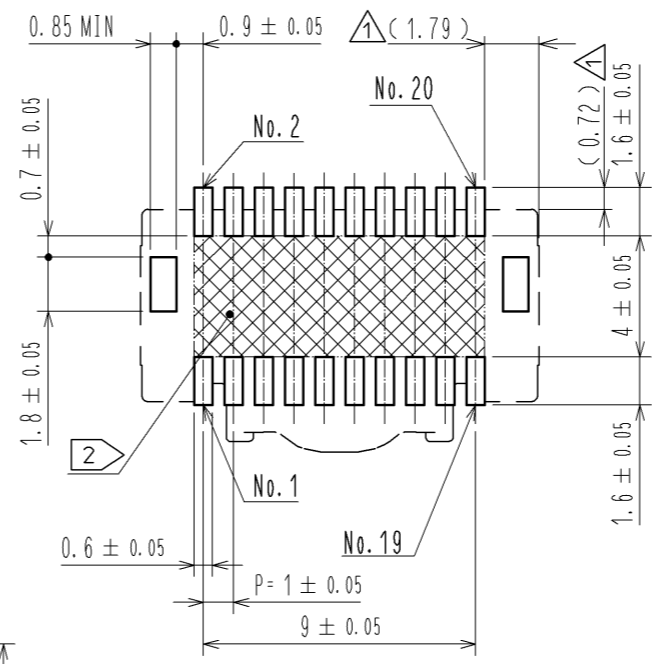
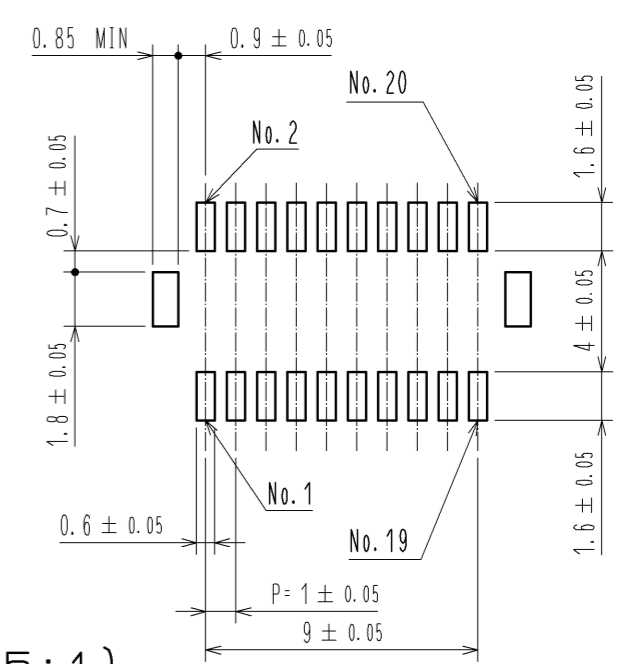


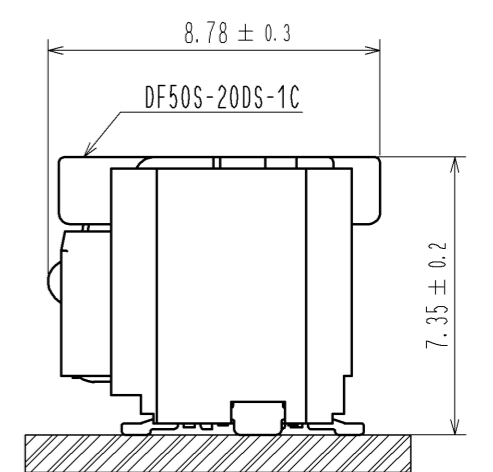
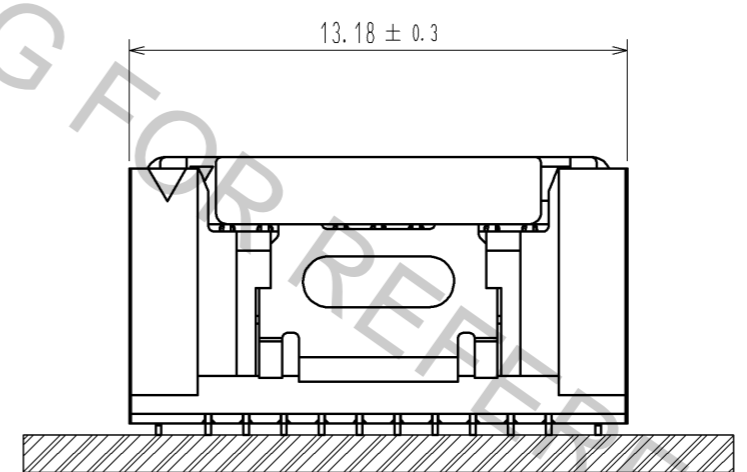
RECOMMENDED PCB LAYOUT
(MOUNTING SURFACE SIDE) (FREE)



RECOMMENDED METAL MASK(FREE)
THICKNESS : 0.1mm



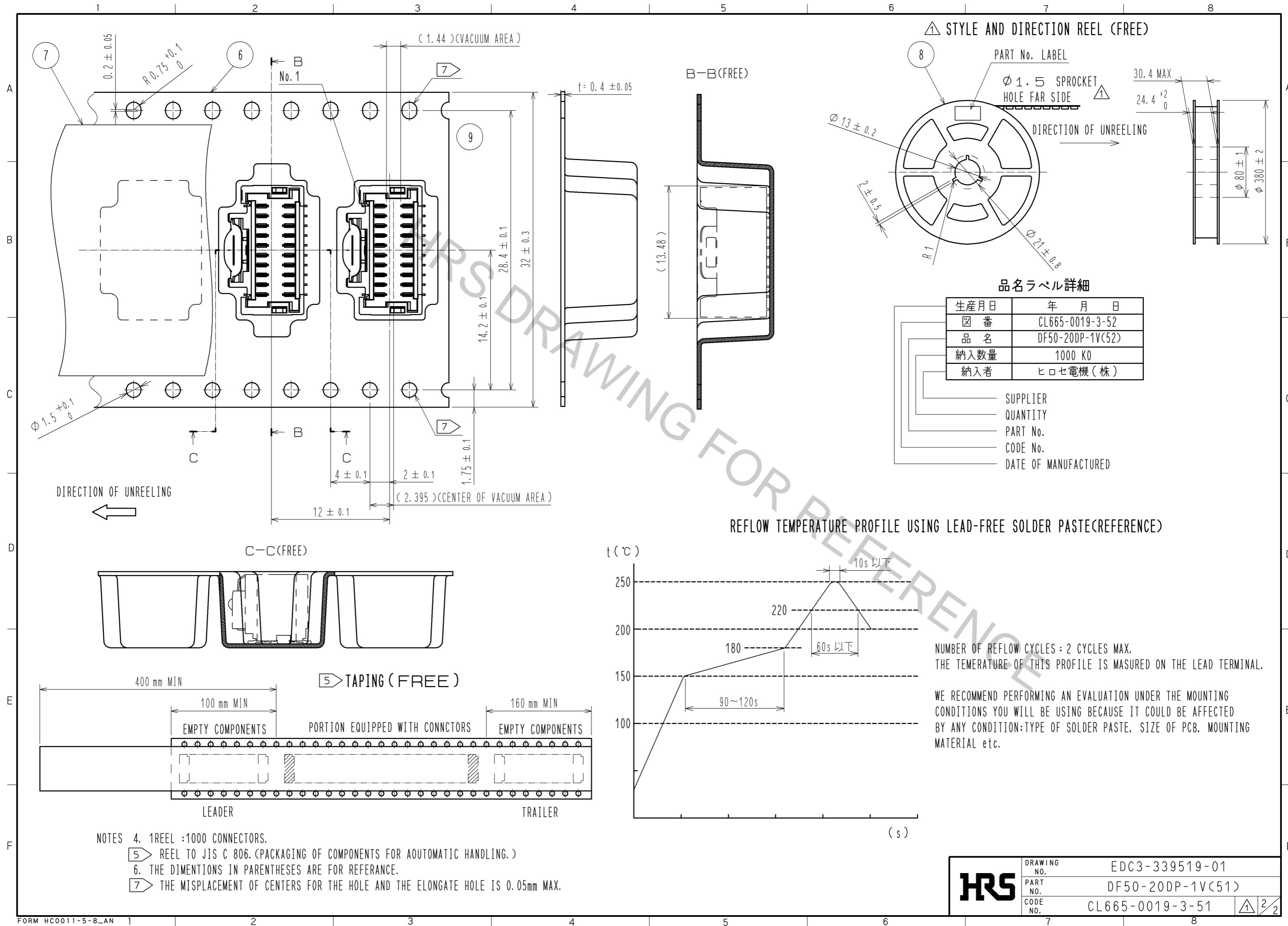
MATING FIGURE (5 : 1)



- NOTES 1. LEAD CO-PLANARITY SHALL BE 0.1 mm MAX.
 2. AREA INDICATED MUST BE FREE OF CONDUCTIVE TRACES OR THE CONDUCTIVE TRACES MUST BE COVERED BY RESIST FILM.
 3. PLEASE CONSULT HIROSE WHEN THE PRODUCT IS MOUNTED TO FPC.

3	BRASS	CONTACT AREA : Au PLATING 0.05µm MIN. LEAD AREA : Au PLATING 0.05µm MIN. UNDERPLATING : Ni PLATING 1µm MIN.	9	POLYAMIDE	VACUUM CAP
2	BRASS	CONTACT AREA : Au PLATING 0.05µm MIN. LEAD AREA : Au PLATING 0.05µm MIN. UNDERPLATING : Ni PLATING 1µm MIN.	8	PS	REEL, BLACK
1	LCP	BLACK, UL94V-0	7	POLYESTER	CLEAR
			6	PS	CLEAR
			5	STAINLESS STEEL	-
			4	BRASS	SURFACE : Sn PLATING 1µm MIN. UNDERPLATING : Ni PLATING 0.5µm MIN.
NO.	MATERIAL	FINISH, REMARKS	NO.	MATERIAL	FINISH, REMARKS
UNITS mm		SCALE FREE	COUNT 4	DESCRIPTION OF REVISIONS DIS-H-007735	
				DESIGNED MI. SAKIMURA	CHECKED TS. KUMAZAWA
					DATE 13. 03. 22
HRS HIROSE ELECTRIC CO., LTD.		APPROVED : OM. MIYAMOTO 12. 01. 31	DRAWING NO. EDC3-339519-01		
		CHECKED : OM. MIYAMOTO 12. 01. 31	PART NO. DF50-20DP-1V(51)		
		DESIGNED : TT. OHSAKO 12. 01. 31	CODE NO. CL665-0019-3-51		
		DRAWN : TT. OHSAKO 12. 01. 31			

Oct.1.2018 Copyright 2018 HIROSE ELECTRIC CO., LTD. All Rights Reserved.
 In case that the application demands a high level of reliability, such as automotive,
 please contact a company representative for further information.



NOTES 4. 1REEL :1000 CONNECTORS.
 5. REEL TO JIS C 806.(PACKAGING OF COMPONENTS FOR AOUTOMATIC HANDLING.)
 6. THE DIMINTIONS IN PARENTHESSES ARE FOR REFERENCE.
 7. THE MISPLACEMENT OF CENTERS FOR THE HOLE AND THE ELONGATE HOLE IS 0.05mm MAX.

HRS	DRAWING NO.	EDC3-339519-01
	PART NO.	DF50-20DP-1V(51)
	CODE NO.	CL665-0019-3-51
		$\triangle 2/2$