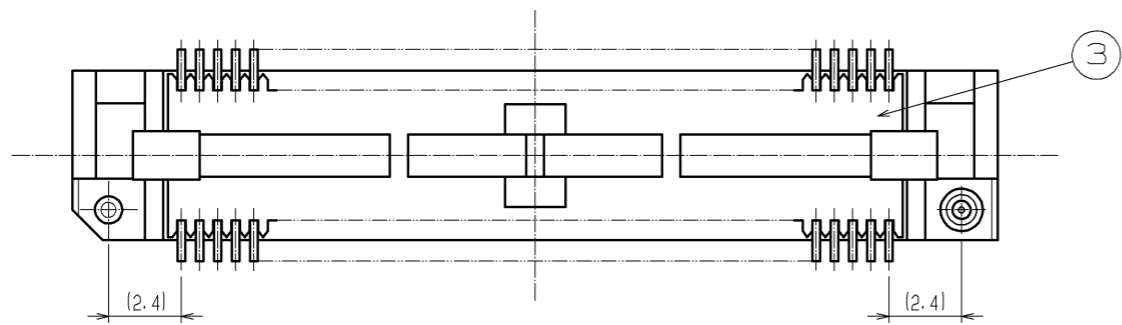
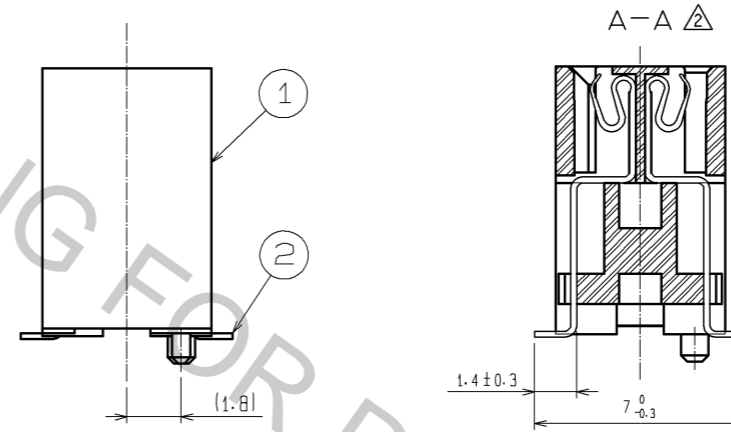
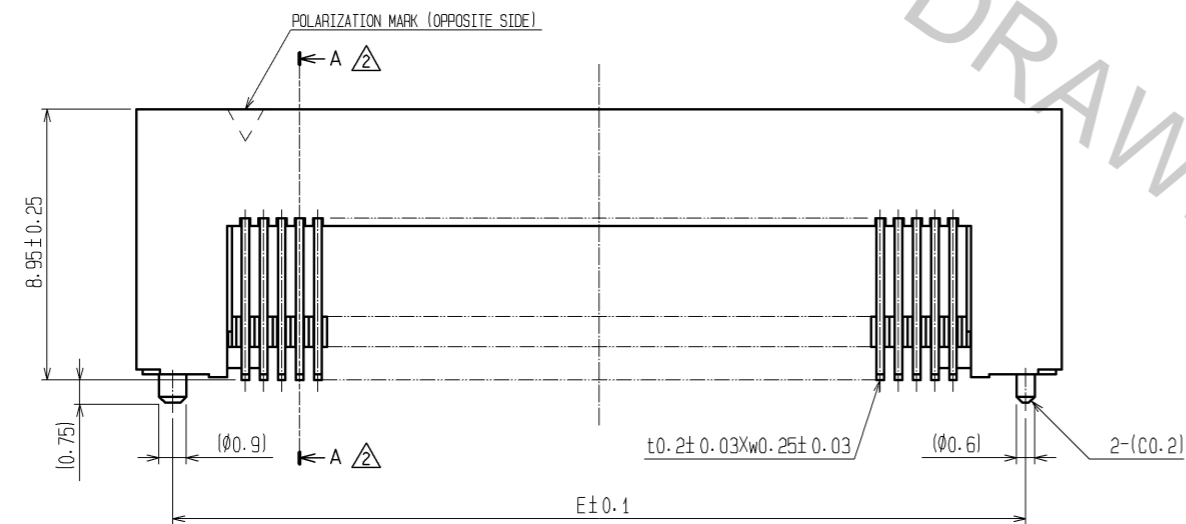
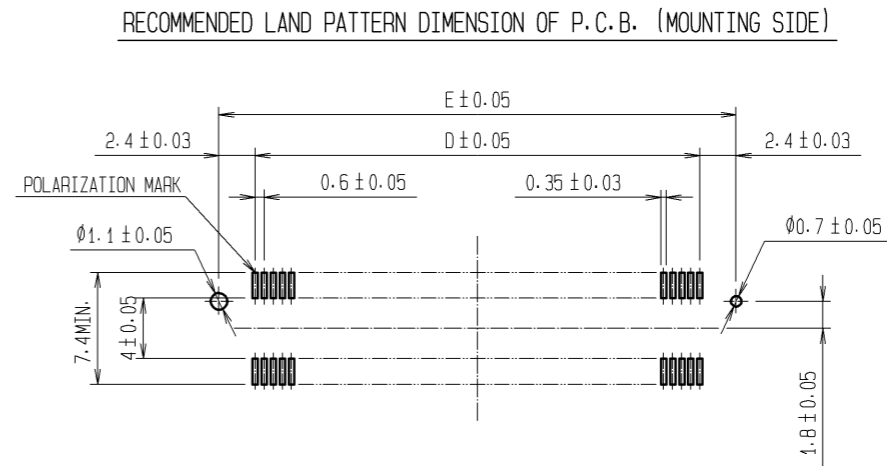
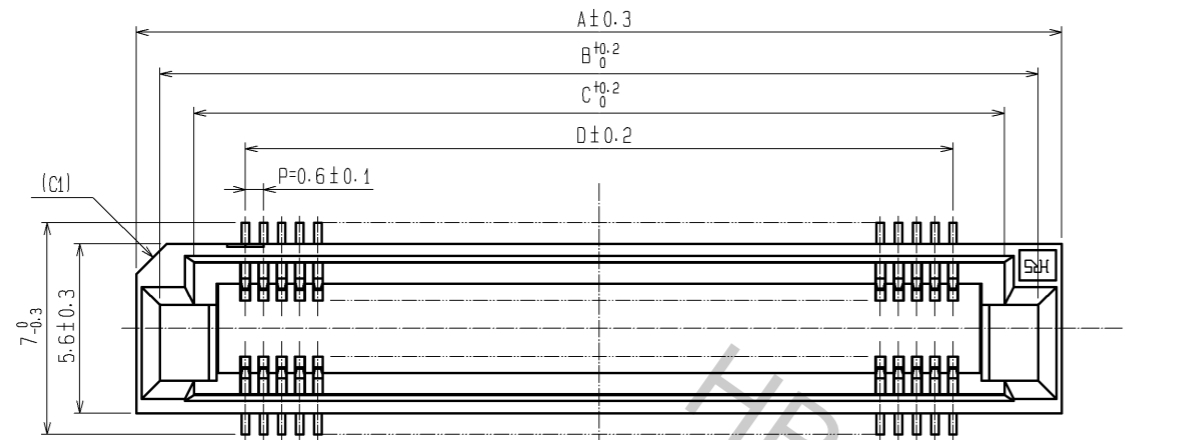


Oct.1.2018 Copyright 2018 HIROSE ELECTRIC CO., LTD. All Rights Reserved.
 In case that the application demands a high level of reliability, such as automotive,
 please contact a company representative for further information.



- NOTE 1. LEAD CO-PLANARITY SHALL BE 0.1mm MAX.
 2. EMBOSSED CARRIER TAPE PACKAGING SHALL BE APPLIED FOR THIS PRODUCT.
 SEE NEXT PAGE FOR DETAILS.
 3. FOR MODIFICATION, ETC., PREVENTIVE HOLE FOR SINK MARK MAY BE ADDED ACCORDING TO CIRCUMSTANCES.
 4. THE DIMENSIONS IN PARENTHESES ARE FOR REFERENCE.
 5 NUMBER OF CONTACTS.

DIMENSION TABLE OF CONNECTOR AND P.C.B. LAND PATTERN.

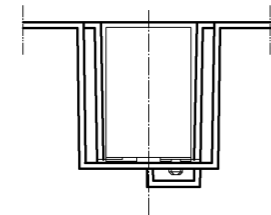
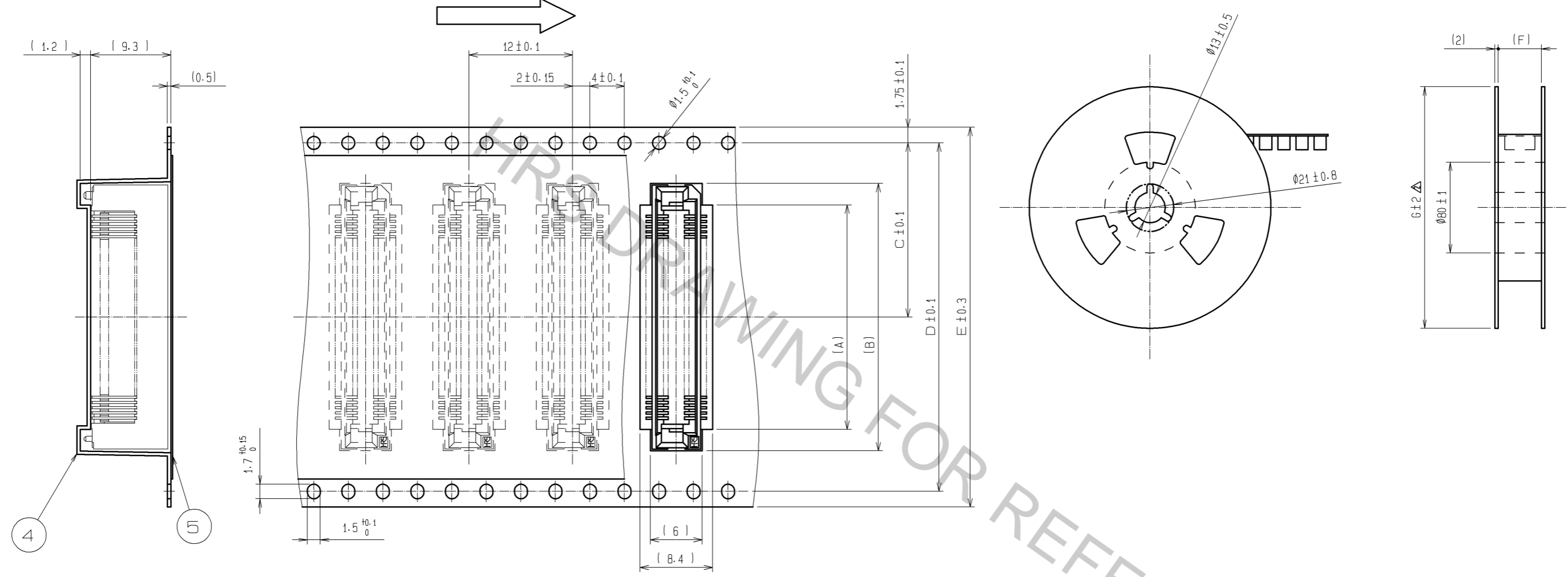
PART No.	CODE No.	5	A	B	C	D	E
FX8C-60S-SV5(92)	CL578-0821-0-92	60	24.60	23.05	20.80	17.40	22.20
FX8C-80S-SV5(92)	CL578-0823-5-92	80	30.60	29.05	26.80	23.40	28.20
FX8C-100S-SV5(92)	CL578-0825-0-92	100	36.60	35.05	32.80	29.40	34.20
FX8C-120S-SV5(92)	CL578-0826-3-92	120	42.60	41.05	38.80	35.40	40.20
FX8C-140S-SV5(92)	CL578-0827-6-92	140	48.60	47.05	44.80	41.40	46.20

2	PHOSPHOR BRONZE	CONTACT AREA: GOLD 0.1μm min.	5	POLYESTER	(TOP COVER TAPE)			
		LEAD AREA: TIN-PLATING 1μm min.			(EMBOSSED CARRIER TAPE)			
1, 3	PPS	UNDER PLATING: NICKEL 1μm min.	4	PS				
NO.	MATERIAL	FINISH, REMARKS	NO.	MATERIAL	FINISH, REMARKS			
UNITS mm		SCALE FREE	COUNT 6	DESCRIPTION OF REVISIONS DIS-F-002239		DESIGNED TS. MIYAKI	CHECKED HS. OZAWA	DATE 07.08.02
HRS HIROSE ELECTRIC CO., LTD.		APPROVED: YK. YOSHIMURA 03.02.19	DRAWING NO. EDC3-151023-22		PART NO. FX8C-*S-SV5(92)		CODE NO. CL578	
		CHECKED: HS. OKAWA 03.02.18						
		DESIGNED: KY. NAKAMURA 03.02.17						
		DRAWN: SK. SUZUKI 03.02.07						

DRAWING FOR PACKING (FREE)

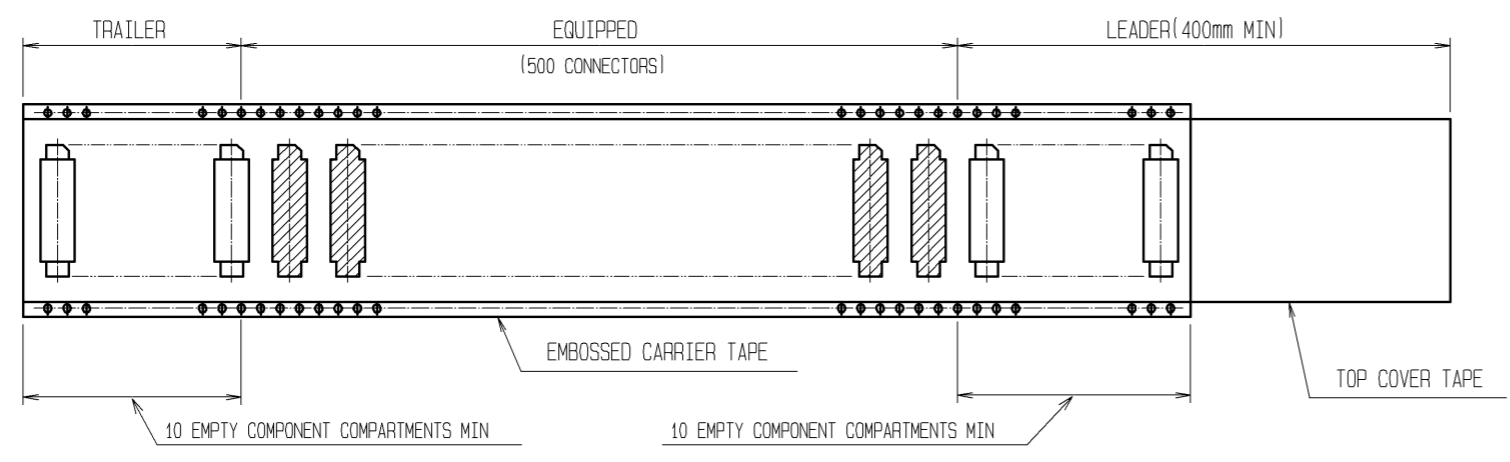
UNREELING DIRECTION

REEL DIMENSION



△△ DIMENSION TABLE OF EMBOSSED CARRIER TAPE AND REEL.

PART No.	CODE No.	②	A	B	C	D	E	F	G
FX8C- 60S-SV5(92)	CL578-0821-0-92	60	20	25	20.2	40.4	44	44.4	Ø370
FX8C- 80S-SV5(92)	CL578-0823-5-92	80	26	31	20.2	40.4	44	44.4	Ø370
FX8C-100S-SV5(92)	CL578-0825-0-92	100	32	37	26.2	52.4	56	56.4	Ø370
FX8C-120S-SV5(92)	CL578-0826-3-92	120	38	43	26.2	52.4	56	56.4	Ø380
FX8C-140S-SV5(92)	CL578-0827-6-92	140	44	49	34.2	68.4	72	72.4	Ø380



NOTE 1 1 REEL : 500 CONNECTORS
 ② NUMBER OF CONTACTS
 3 THE DIMENSIONS IN PARENTHESES ARE FOR REFERENCE. △

HRS	DRAWING NO.	EDC3-151023-22
	PART NO.	FX8C-*S-SV5(92)
	CODE NO.	CL578
		△ 2/2

Oct.1.2018 Copyright 2018 HIROSE ELECTRIC CO., LTD. All Rights Reserved. In case that the application demands a high level of reliability, such as automotive, please contact a company representative for further information.