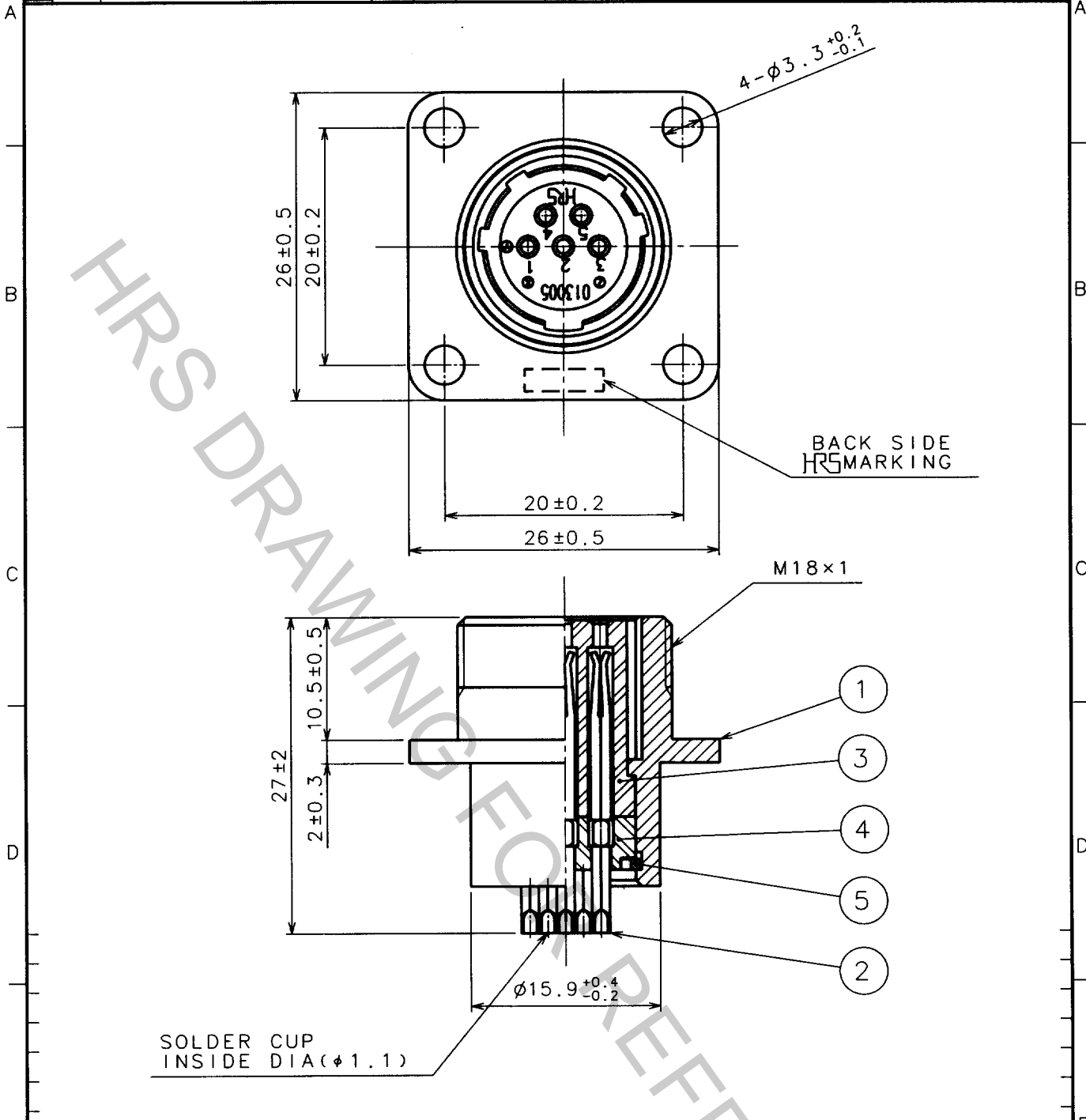


Oct.1.2018 Copyright 2018 HIROSE ELECTRIC CO., LTD. All Rights Reserved.
 In case that the application demands a high level of reliability, such as automotive,
 please contact a company representative for further information.

1		2			3			4		
COUNT	DESCRIPTION OF REVISIONS	BY	CHKD	DATE	COUNT	DESCRIPTION OF REVISIONS	BY	CHKD	DATE	
△				..	△				..	
△				..	△				..	
△				..	△				..	



3	PHENOL FORMALDEHYDE	(BLACK) UL94V-0			
2	COPPER ALLOY	SILVER PLATING	5	PHOSPHOR BRONZE	NICKEL PLATING
1	ALUMINUM ALLOY	MATTE FINISH NICKEL PLATED	4	PHENOL FORMALDEHYDE	(BLACK) UL94V-0
NO.	MATERIAL	FINISH, REMARKS	NO.	MATERIAL	FINISH, REMARKS

CODE NO. (OLD)		DRAWN	DESIGNED	CHECKED	APPROVED	RELEASED
		H. YOKOMIZO	H. KISHI	M. SATO	M. AJISHIDA	
		98.4.16	98.4.16	98.4.20	98.4.21	

	DRAWING NO.	PART NO.
	EDC4-024152	JR13RK-5S
	SCALE 2:1	CODE NO. CL114-0526-8
UNITS mm	HRS HIROSE ELECTRIC CO., LTD.	1/1

TO
R