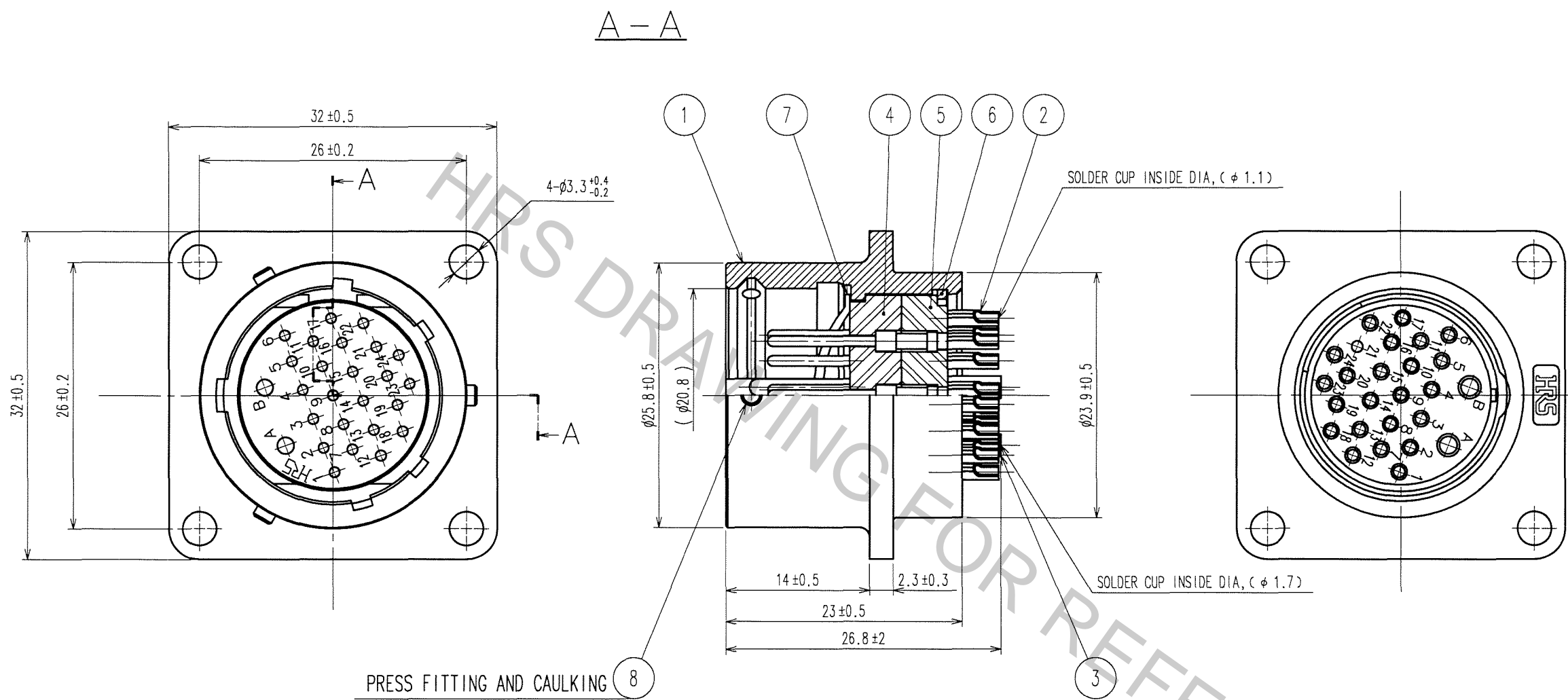


Oct.1.2018 Copyright 2018 HIROSE ELECTRIC CO., LTD. All Rights Reserved.  
 In case that the application demands a high level of reliability, such as automotive,  
 please contact a company representative for further information.

COUNT	DESCRIPTION OF REVISIONS	BY	CHKD	DATE	COUNT	DESCRIPTION OF REVISIONS	BY	CHKD	DATE
△				..	△				..
△				..	△				..
△				..	△				..



NOTE : AN EXAMPLE OF SOLDER CUP DIRECTION REF.NO.② AND ③ IS SHOWN.

4	PHENOL-FORMALDEHYDE	(BLACK)	UL94V-0	8	STAINLESS STEEL		
3	BRASS	SILVER PLATING	2μ m min	7	STAINLESS STEEL		
2	BRASS	SILVER PLATING	2μ m min	6	PHOSPHOR BRONZE		
1	ALUMINUM ALLOY	MATTE FINISH	NICKEL PLATED	5	PHENOL-FORMALDEHYDE		
					(BLACK) UL94V-0		
NO.	MATERIAL	FINISH, REMARKS		NO.	MATERIAL	FINISH, REMARKS	

CODE NO. (OLD)	DRAWN	DESIGNED	CHECKED	APPROVED	RELEASED
CL	<i>T. Nozaki</i>	<i>N. Nagano</i>	<i>E. Kurita</i>	<i>M. Sato</i>	
	06.3.8	06.3.8	06.03.08	06.03.08	..

	DRAWING NO.	PART NO.
SCALE	EDC3-020922-71	JRC21BR-26P(71)
2 : 1	<b>HRS</b>	CODE NO.
UNITS	HIROSE ELECTRIC CO., LTD	CL114-0269-7-71
mm		1/1

TO  
R