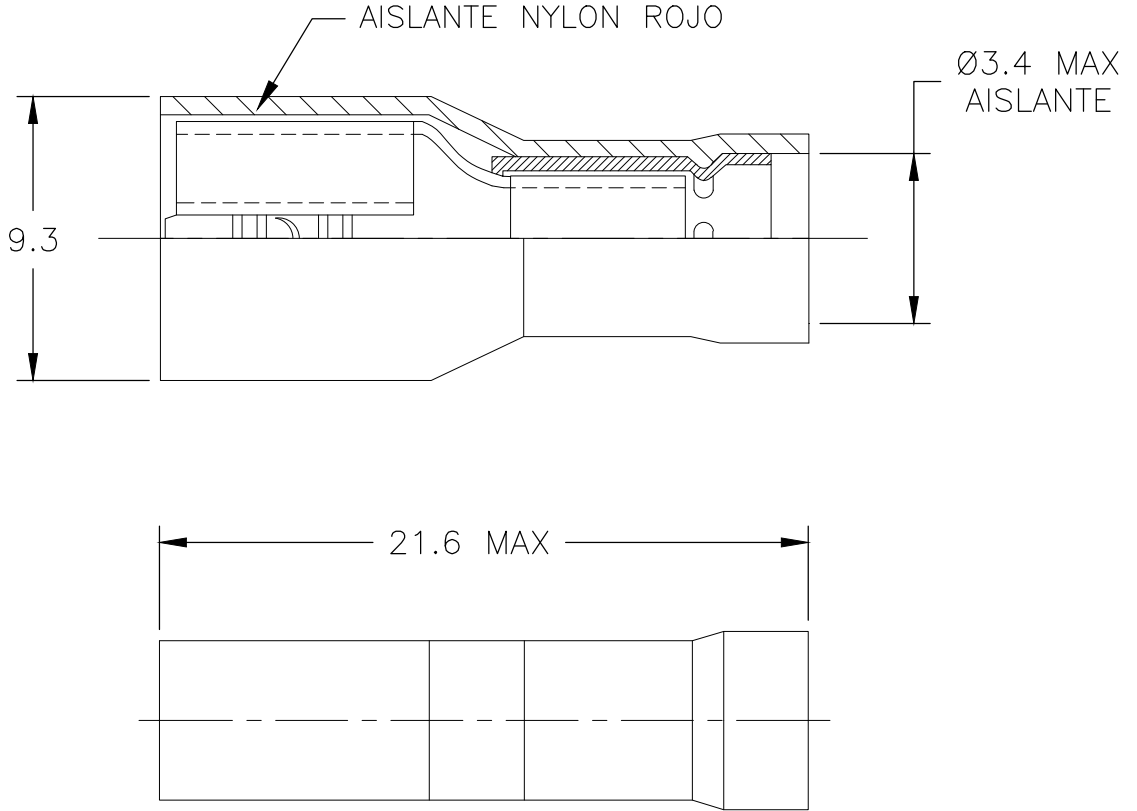


REVISIONS

P	LTR	DESCRIPTION	DATE	DWN	APVD
F1		REVISED PER ECO-11-005294	19APR11	HMR	—
F2		DRAWING UPDATED FOR BETTER VISIBILITY	18APR2018	SH	NG



NOTE:

① - PARA HERRAMIENTA MANUAL DE ENGASTE CONSULTE A TE

735279	TIN BRASS	0.3 – 1.0 mm2
735278	TIN BRASS	1.0 – 1.5 mm2
735278	TIN BRASS	0.3 – 0.8 mm2
ORDER NUMBER	MATERIAL	① WIRE RANGE


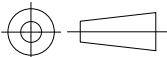
GAMA AISLANTE
3.3mm MAX

RELEASED FOR PUBLICATION

ALL RIGHTS RESERVED.

© COPYRIGHT - TE Connectivity Ltd.

THIS DRAWING IS UNPUBLISHED.

DIMENSIONS: mm	DWN B. SANGANNA	18APR2018	MATERIAL	-	FINISH	-
	CHK S. GURURAJ	18APR2018	 TE Connectivity			
TOLERANCES UNLESS OTHERWISE SPECIFIED:	APVD G. NIMBENNAPPA	18APR2018				
0 PLC ± -	PRODUCT SPEC	-	NAME	RECEPTACULO FASTON SERIE 635 AISLADO PIDG		
1 PLC ± -	APPLICATION SPEC	-	SIZE	CAGE CODE	DRAWING NO	RESTRICTED TO
2 PLC ± -			A4	00779	735278	-
3 PLC ± -						
4 PLC ± -						
ANGLES ± -	WEIGHT	-				
			CUSTOMER DRAWING		SCALE	NONE
			SHEET		1 OF 1	REV F2