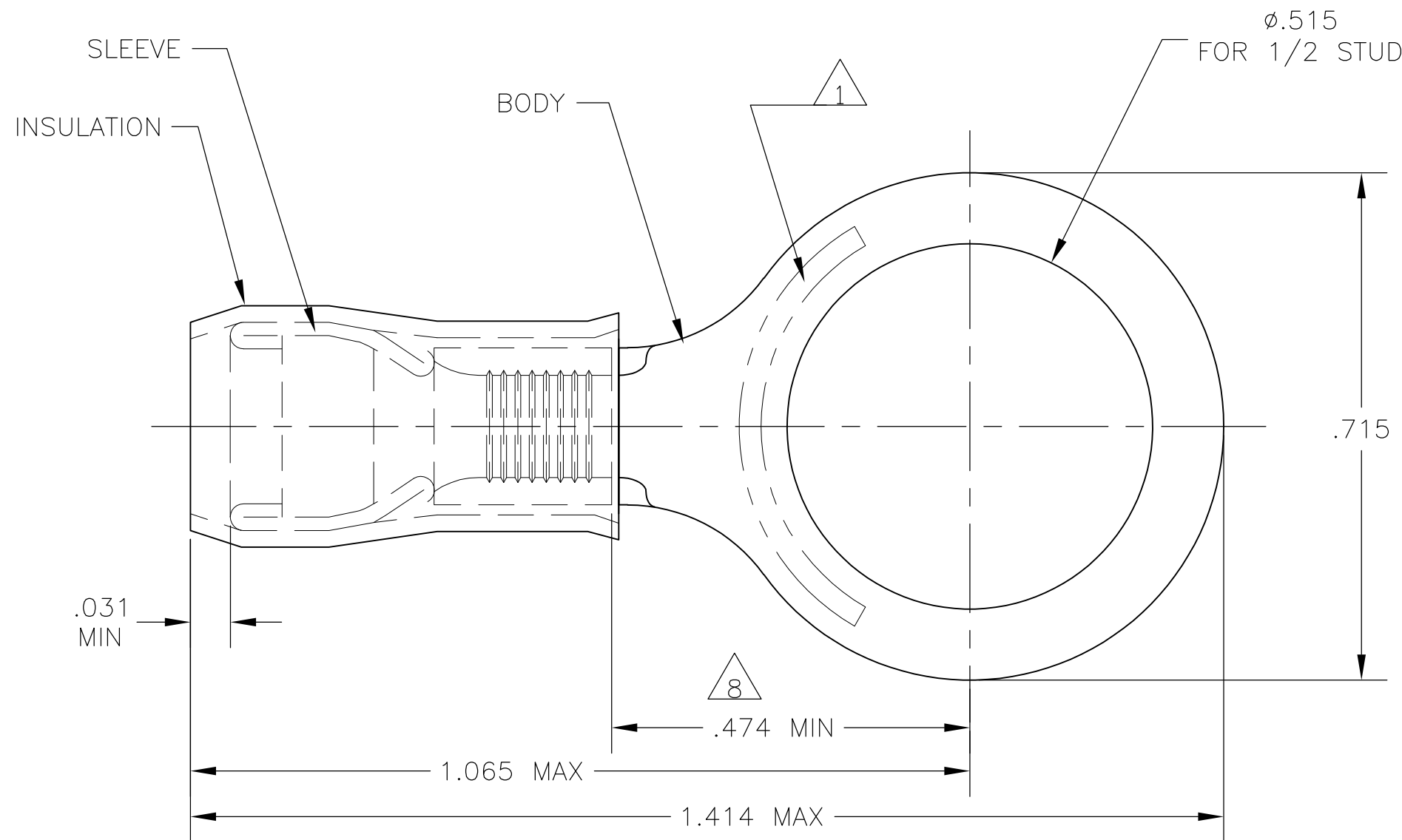
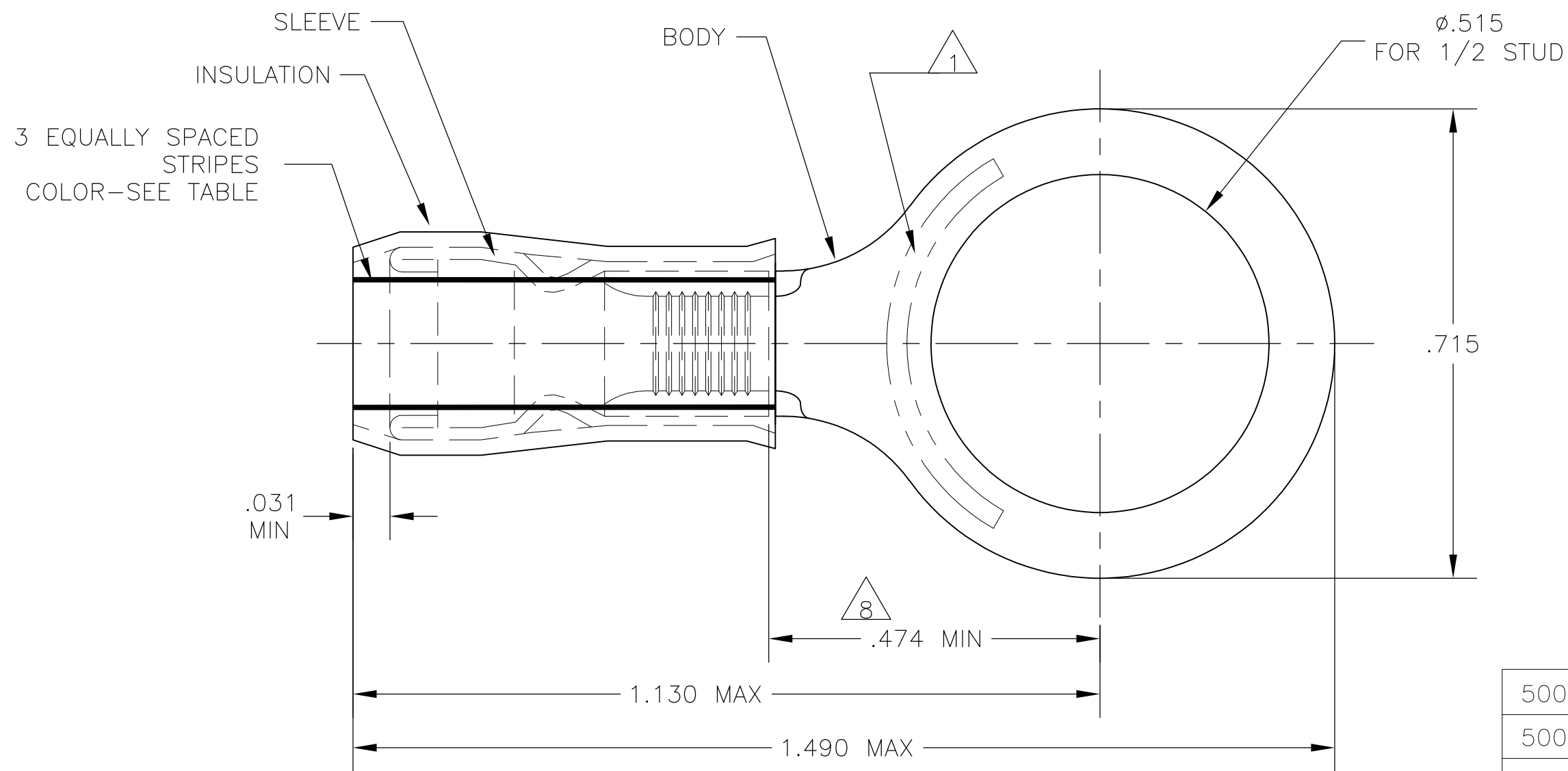


THIS DRAWING IS UNPUBLISHED. RELEASED FOR PUBLICATION
 © COPYRIGHT - By - ALL RIGHTS RESERVED.

LOC		DIST		REVISIONS			
P	LTR	DESCRIPTION		DATE	DWN	APVD	
G	14	F		REVISED PER ECO-14-015277	18FEB2015	NK	DR



STYLE A



STYLE B
INSULATION RESTRICTING

- 1 STAMP "AMP - SEE TABLE" APPROX AS SHOWN.
- 2 WIRE INSULATION DIA: SEE TABLE.
- 3 TONGUE MATERIAL THK: .040±.002.
- 4 BODY: TIN PLATE .000100 MIN EXT THK PER ASTM B545.
- 5 SLEEVE: TIN PLATE .000100 MIN EXT THK PER ASTM B545.
- 6 SLEEVE: NICKEL PLATE PER QQ-N-290.
- 7 BODY & SLEEVE- CU PER ASTM B152 INSULATION - NYLON PER ASTM D4066 COLOR - YELLOW.
- 8 APPLIES FROM EDGE OF METAL WIRE BARREL TO CENTER OF STUD HOLE.
- 9 MEETS MS25036-158, CLASS 2.
- 10 MEETS M7928/1-62, CLASS 2.
- 11 MEETS M7928/1-69, CLASS 2.

QTY	PACKAGE TYPE	STAMPING	WIRE INSUL DIA	WIRE SIZE	STRIPE COLOR	STYLE	BODY FINISH	SLEEVE FINISH	PART NO
500	LOOSE PIECE	10	.119-.200	10	BROWN	B	1	6, 11	52077-2
500	LOOSE PIECE	12	.095-.200	12	YELLOW	B	4	6, 10	52077-1
500	LOOSE PIECE	12-10	.150-.230	12-10	---	A		5, 9	52077

CUSTOMER SERVICE SYSTEMS		MAX RECOMMENDED OPERATING TEMPERATURE: 105°C MAX	THIS DRAWING IS A CONTROLLED DOCUMENT.		DWN JR RUTH 23DEC09	TE TE Connectivity			
FOR ADDITIONAL PRODUCT INFORMATION OR COPIES OF DRAWINGS AND TECHNICAL DOCUMENTS	PRODUCT INFORMATION CENTER 1-800-522-6752	VOLTAGE RATING: 300 VOLT MAX	DIMENSIONS: INCHES	TOLERANCES UNLESS OTHERWISE SPECIFIED: 0 PLC ± - 1 PLC ± - 2 PLC ± - 3 PLC ± .008 4 PLC ± - ANGLES ± -	CHK T MICHIELUTTI 23DEC09	NAME T MICHIELUTTI			
FOR APPLICATION TOOLING INFORMATION	TOOLING ASSISTANCE CENTER 1-800-722-1111	CIRCULAR MIL AREA: 2.62-6.64mm² [5,180-13,100] STRANDED OR SOLID		MATERIAL	APVD T MICHIELUTTI 23DEC09	PRODUCT SPEC			
FOR ORDER ENTRY	1-800-526-5142	THIS DRAWING IS A CONTROLLED DOCUMENT FOR AMP INCORPORATED. IT IS SUBJECT TO CHANGE AND THE CONTROLLING ENGINEERING ORGANIZATION SHOULD BE CONTACTED FOR THE LATEST REVISION.		FINISH	APPLICATION SPEC	TERMINAL, RING TONGUE, PIDG WIRE SIZE: 12-10 AWG			
					WEIGHT	SIZE A2	CAGE CODE 00779	DRAWING NO C=52077	RESTRICTED TO
					CUSTOMER DRAWING	SCALE 5:1	SHEET 1 of 1	REV F	