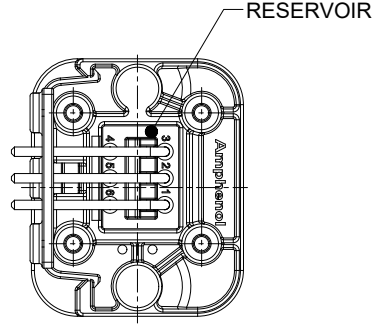
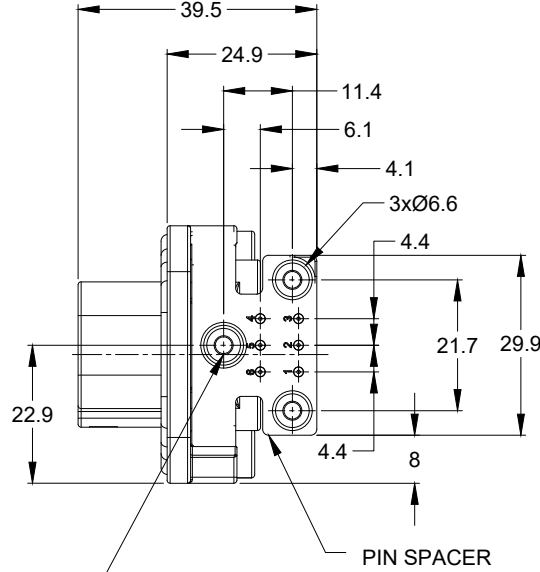
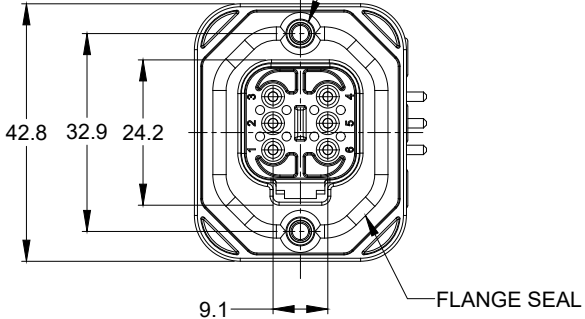
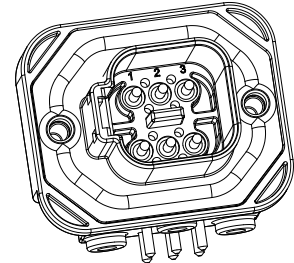
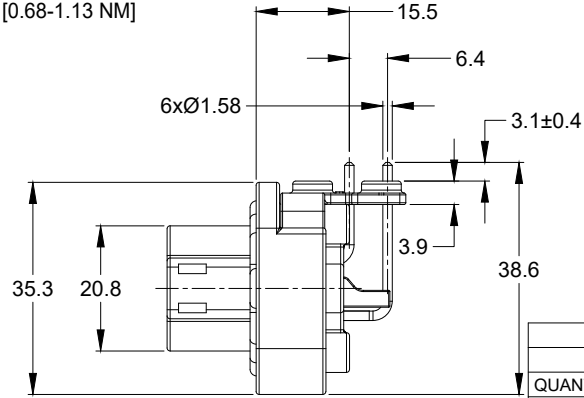


REVISIONS					
REV	ECO	DESCRIPTION	DATE	BY	APPR
A1	--	RELEASE NEW DRAWING	2MAR18	JONY	TOMMY

2xØ3.10±0.12x11.18 DP
 RECOMMENDED SCREW: 6-19 [M3.63 x 1.34]
 THREAD-FORMING SCREW,
 TORQUE: 11-15 IN-LB [1.24-1.70 NM]



3xØ2.79±0.12
 RECOMMENDED SCREW: 4-20 [M3.12 x 1.27]
 THREAD-FORMING SCREW,
 TORQUE:6-10 IN-LB [0.68-1.13 NM]



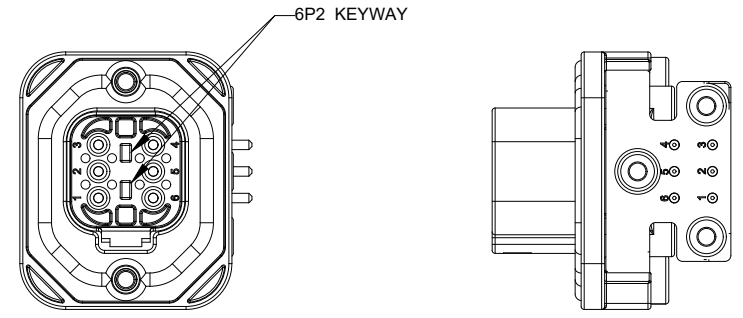
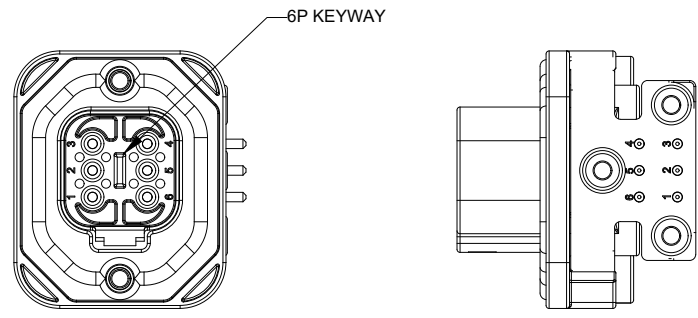
NOTES: UNLESS OTHERWISE SPECIFIED

- MATERIAL:
 HOUSING: THERMOPLASTIC
 SEAL: SILICONE RUBBER
 CONTACT: COPPER ALLOY
- MODIFICATIONS: FLANGE; PCB MOUNT, RIGHT ANGLE
- SPECIFICATIONS:
 3.1 CURRENT RATING: 13 AMPS
 3.2 OPERATING TEMPERATURE: -55°C TO +125°C
 3.3 DIELECTRIC WITHSTANDING VOLTAGE: LESS THAN 2 MILLIAMPS CURRENT LEAKAGE @ 1500 VOLTS AC.
 3.4 INSULATION RESISTANCE: 1000 MEGOHMS MIN @ 25°C.
 3.5 MOISTURE RESISTANCE: IP67 (MATED CONDITION)
 3.6 MATING CYCLE DURABILITY: 100 CYCLES
 3.7 RoHS COMPLIANT
- MATING PART: AT06-6S* PLUG
 (* = MODIFICATIONS)
- ALL DIMENSIONS ARE FOR REFERENCE USE ONLY.

AT13-6PX-BMXX		DESCRIPTION		ITEM
PART NUMBER		DESCRIPTION		ITEM
MATERIALS LIST				
UNLESS OTHERWISE SPECIFIED 1) All dimensions are in metric (mm). 2) Tolerances are as follows: 1 PL DEC ±0.30 Fractions ±1/64 2 PL DEC ±0.15 Angles ±1° 3 PL DEC ±0.08 3) Note reference =		SIGNATURES DATE		
MATERIAL SPECIFICATIONS:		DRAWN: JONY.XIE 2MAR18		
PROCESS SPECIFICATIONS:		CHECKED: ORION.LI 2MAR18		
NEXT ASSY:		ENGINEER:		
		APPROVAL: TOMMY.XIE 2MAR18		
		CUSTOMER:		
		THIS DRAWING IS SUPPLIED FOR INFORMATION ONLY. DESIGN FEATURES, SPECIFICATIONS AND PERFORMANCE DATA SHOWN HEREON ARE THE PROPERTY OF THE AMPHENOL CORPORATION. NO RIGHTS OF REPRODUCTION ARE IMPLIED. ALL DIMENSIONS ARE SUBJECT TO NORMAL MANUFACTURING VARIATIONS.		
SIZE	TYPE	DWG NO:	REVISION	
B	C-	AT13-6PX-BMXX	A1	
SCALE:	NONE	SHEET 1 OF 2		

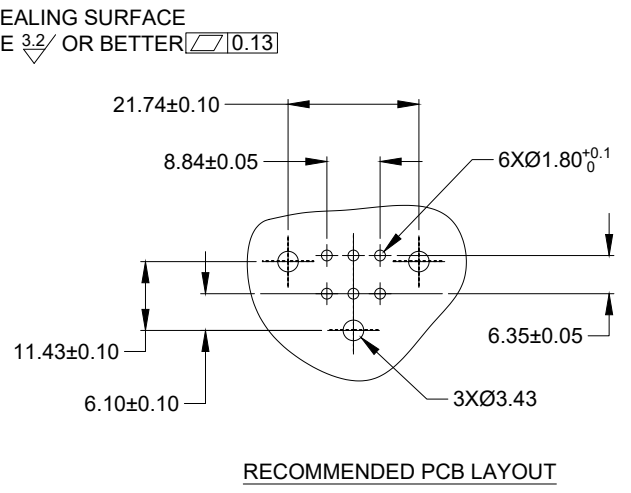
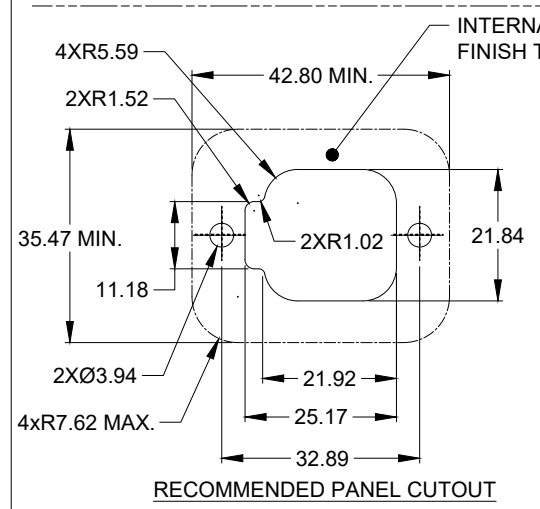
TITLE: PCB MOUNT RECEPTACLE,6PIN,RA FLANGE,AT SERIES
 DWG NO: AT13-6PX-BMXX
 REV: A1
 SH: 1
 OF: 2

REVISIONS					
REV	ECO	DESCRIPTION	DATE	BY	APPR
A1	--	RELEASE NEW DRAWING	2MAR18	JONY	TOMMY



AT13-6P-BMXX VARIANTS		
CONTACT PLATING	POTTING OR NOT IN RESERVOIR	PART NUMBER
GOLD	NO POTTING	AT13-6P-BM01GRY
GOLD	POTTING	AT13-6P-BM02GRY
TIN	NO POTTING	AT13-6P-BM03GRY
TIN	POTTING	AT13-6P-BM04GRY

AT13-6P2-BMXX VARIANTS		
CONTACT PLATING	POTTING OR NOT IN RESERVOIR	PART NUMBER
GOLD	NO POTTING	AT13-6P2-BM01BLU
GOLD	POTTING	AT13-6P2-BM02BLU
TIN	NO POTTING	AT13-6P2-BM03BLU
TIN	POTTING	AT13-6P2-BM04BLU



AT13-6PX-BMXX		DESCRIPTION		ITEM
PART NUMBER				
MATERIALS LIST				
QUANTITY	SIGNATURES	DATE	<p>Sine Systems - www.amphenol-sine.com 44724 Morley Drive Clinton Township, MI 48036</p> <p>PCB MOUNT RECEPTACLE, 6PIN RA FLANGE, AT SERIES</p>	
UNLESS OTHERWISE SPECIFIED 1) All dimensions are in metric (mm). 2) Tolerances are as follows: 1 PL DEC ±0.30 Fractions ±1/64 2 PL DEC ±0.15 Angles ±1° 3 PL DEC ±0.08	DRAWN: JONY.XIE	2MAR18		
3) Note reference = Δ	CHECKED: ORION.LI	2MAR18		
	ENGINEER:			
MATERIAL SPECIFICATIONS:	APPROVAL: TOMMY.XIE	2MAR18	<p>SIZE: B C- DWG NO: AT13-6PX-BMXX REVISION: A1</p> <p>SCALE: NONE SHEET 2 OF 2</p>	
PROCESS SPECIFICATIONS:	CUSTOMER:			
NEXT ASSY:	THIS DRAWING IS SUPPLIED FOR INFORMATION ONLY. DESIGN FEATURES, SPECIFICATIONS AND PERFORMANCE DATA SHOWN HEREON ARE THE PROPERTY OF THE AMPHENOL CORPORATION. NO RIGHTS OF REPRODUCTION ARE IMPLIED. ALL DIMENSIONS ARE SUBJECT TO NORMAL MANUFACTURING VARIATIONS.			

TITLE: PCB MOUNT RECEPTACLE, 6PIN, RA FLANGE, AT SERIES
 DWG NO: AT13-6PX-BMXX
 REV: A1
 SH: 2
 OF: 2