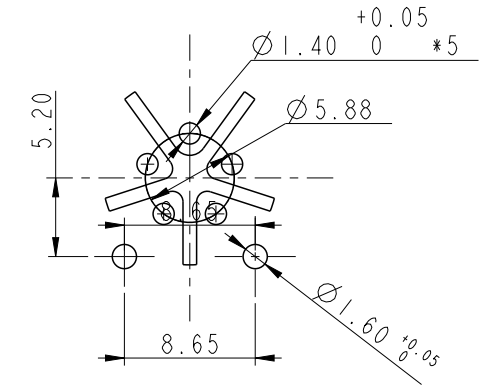
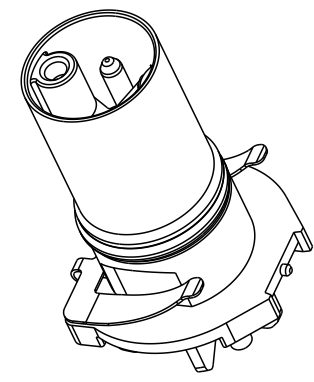
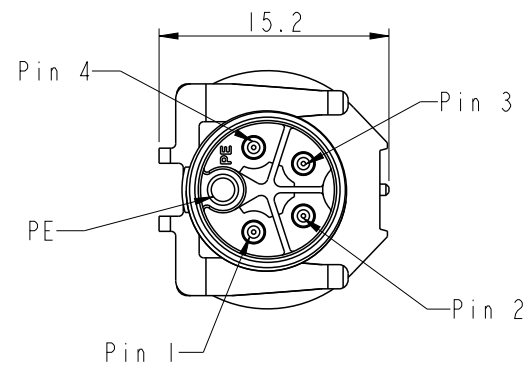
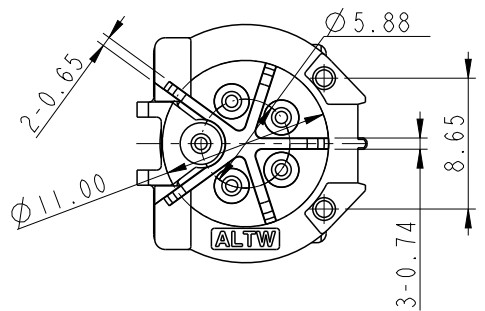
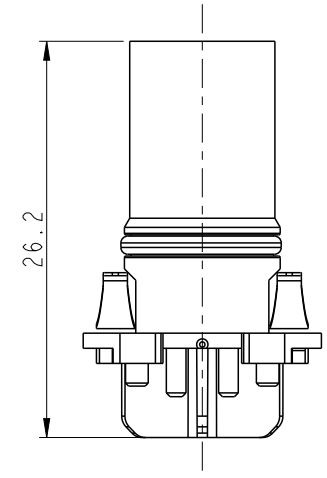
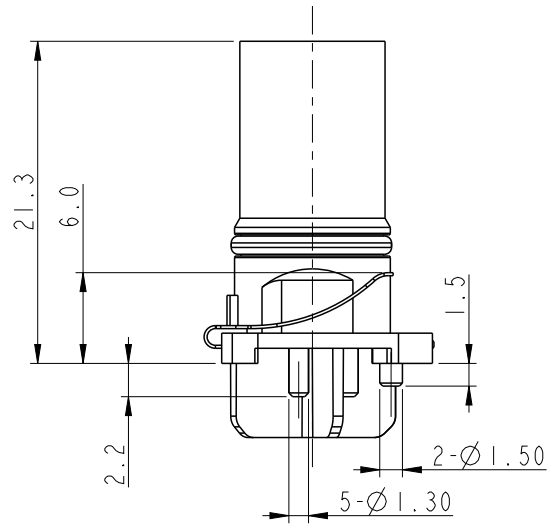


REV.	DESCRIPTION
A	05版轉A



Recommended PCB Layout
General tolerance: ±0.05mm



- Note:
- * Current Rated: 12A
 - * Voltage Rated: 630V AC/DC
 - * Temperature range: -25 ~ +105°C
 - * Connector: Thermoplastic, Black
 - * Pins: Copper Alloy, Gold Plated
 - * Spring: Metal
 - * Packing: Tray

UNIT: mm		
TOLERANCE	.X ±0.25	
	.XX ±0.1	
	.XXX ±0.05	
ANGLES	±1°	

TITLE M12 K CODE, PANEL, THRU HOLE TYPE 5PIN, MALE CONN.			
SCALE 2:1	SIZE A4	SHEET 1 OF 1	
REV. A	WC-REV. A.19	QC: Inspection item	

Amphenol LTW
安費諾亮泰企業股份有限公司

ITEM NO M12K-05PMMP-EE0001	DRAWN BY Sam Ho	DATE 2018-10-01
DWG NO M12K-05PMMP-EE0001	CHECKED BY Fred Lee	DATE 2018-10-01
CUSTOMER ALTW	APPROVED BY Fred Lee	DATE 2018-10-01

THIS DOCUMENT IS SUBJECT TO CHANGE WITHOUT NOTICE. IT IS CONFIDENTIAL AND A PROPERTY OF Amphenol LTW. DISCLOSURE TO THIRD PARTY HAS TO BE AUTHORIZED BY Amphenol LTW.