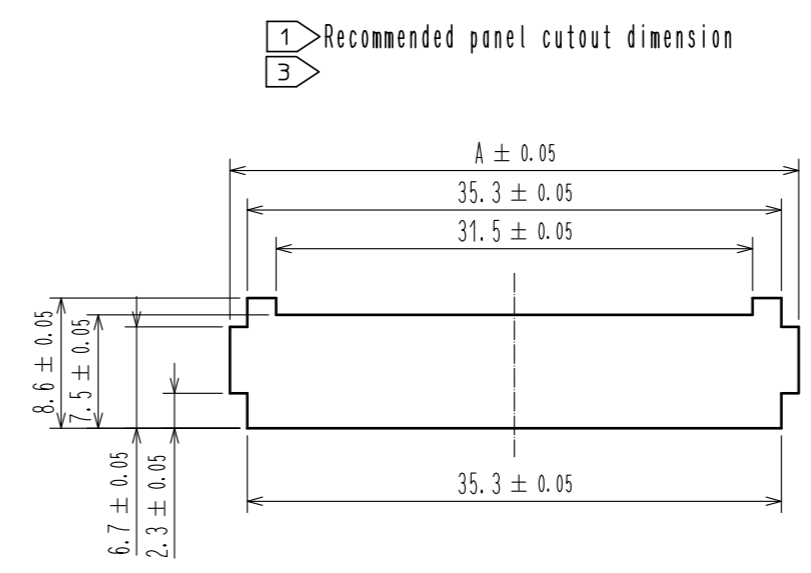
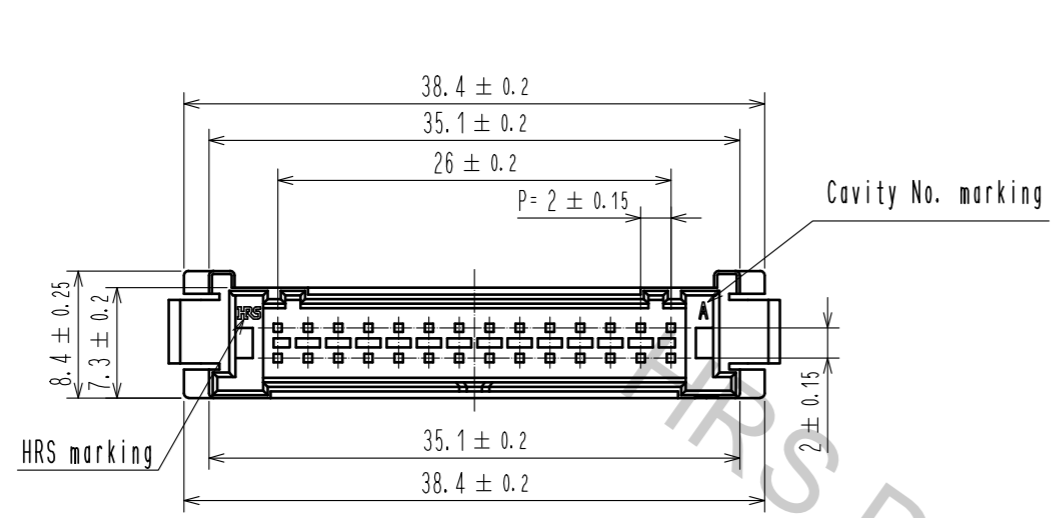
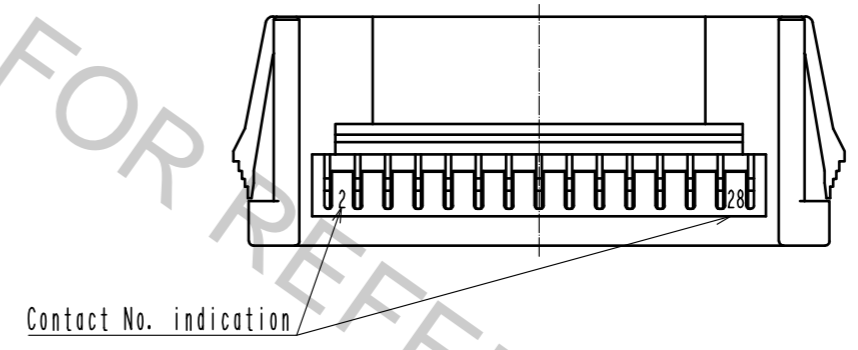
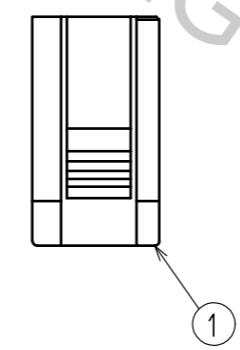
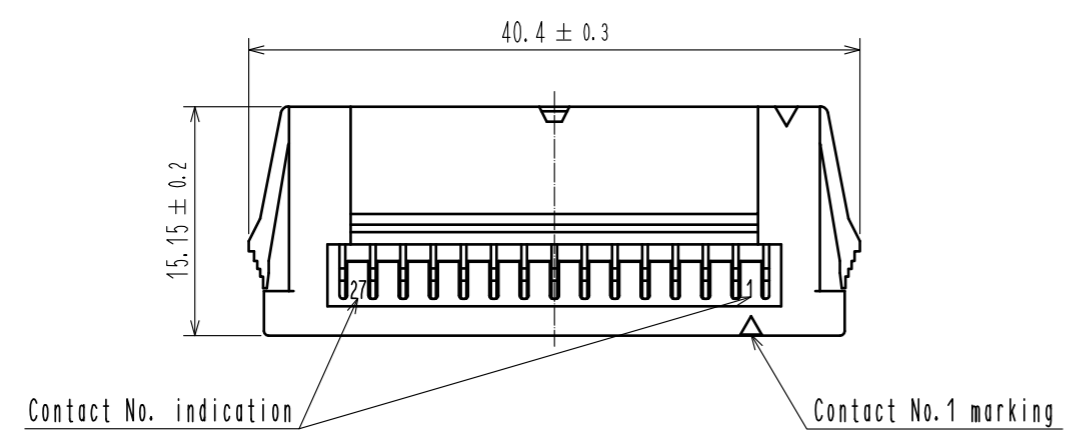


Mar.1.2019 Copyright 2019 HIROSE ELECTRIC CO., LTD. All Rights Reserved.  
 In case that the application demands a high level of reliability, such as automotive,  
 please contact a company representative for further information.

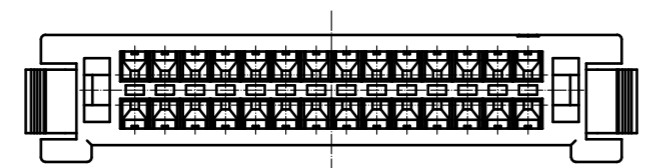


2

Panel thickness	A
0.5~0.8	37.6
0.9~1.3	38.1
1.4~1.8	38.5
1.9~2.3	38.9



- Note
- 1 Please use non-radius side for the panel hooking area.
  - 2 Applicable panel thicknessing is 2.3 to 0.5 mm.
  - 3 Consult Hirose for the other panel cutout designs than recommended one.
  - 4. Per pack : 100 pieces.
  - 5. UL(File No. E52653),  
 C-UL(File No. E52653) authorization article



NO.	MATERIAL	FINISH . REMARKS	NO.	MATERIAL	FINISH . REMARKS		
			1	PBT	UL94V-0. BLACK		
UNITS mm		SCALE 2 : 1	COUNT 1	DESCRIPTION OF REVISIONS DIS-H-00004547	DESIGNED TS. MIYAKI	CHECKED SZ. ONO	DATE 20181225
<b>HRS</b> HIROSE ELECTRIC CO., LTD.		APPROVED : HS. OKAWA	20160601	DRAWING NO. EDC-366294-00-00			
		CHECKED : YN. TAKASHITA	20160601	PART NO. DF51-28DEP-2C			
		DESIGNED : TT. OHSAKO	20160601	CODE NO. CL543-5083-0-00			
		DRAWN : TT. OHSAKO	20160601			1/1	