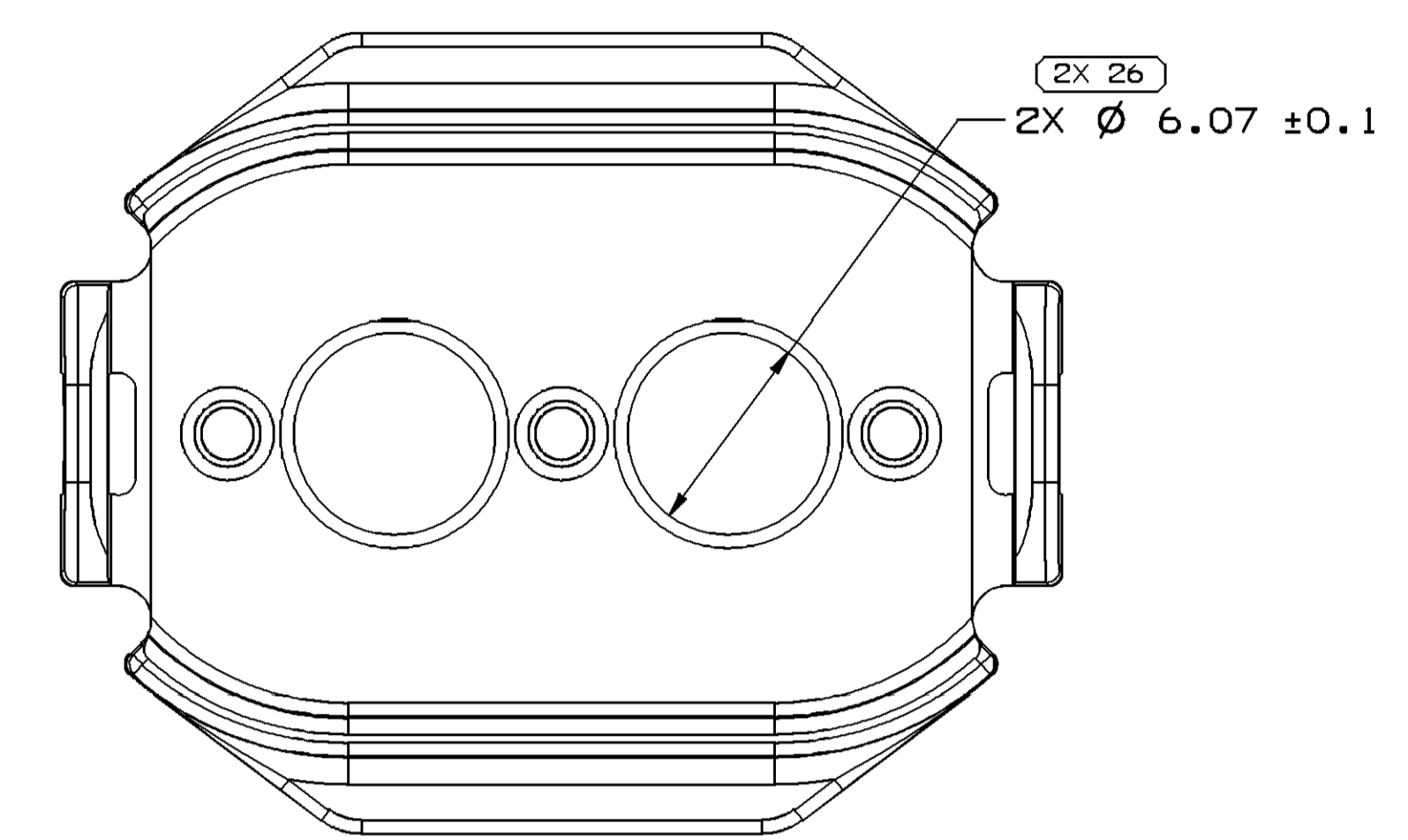
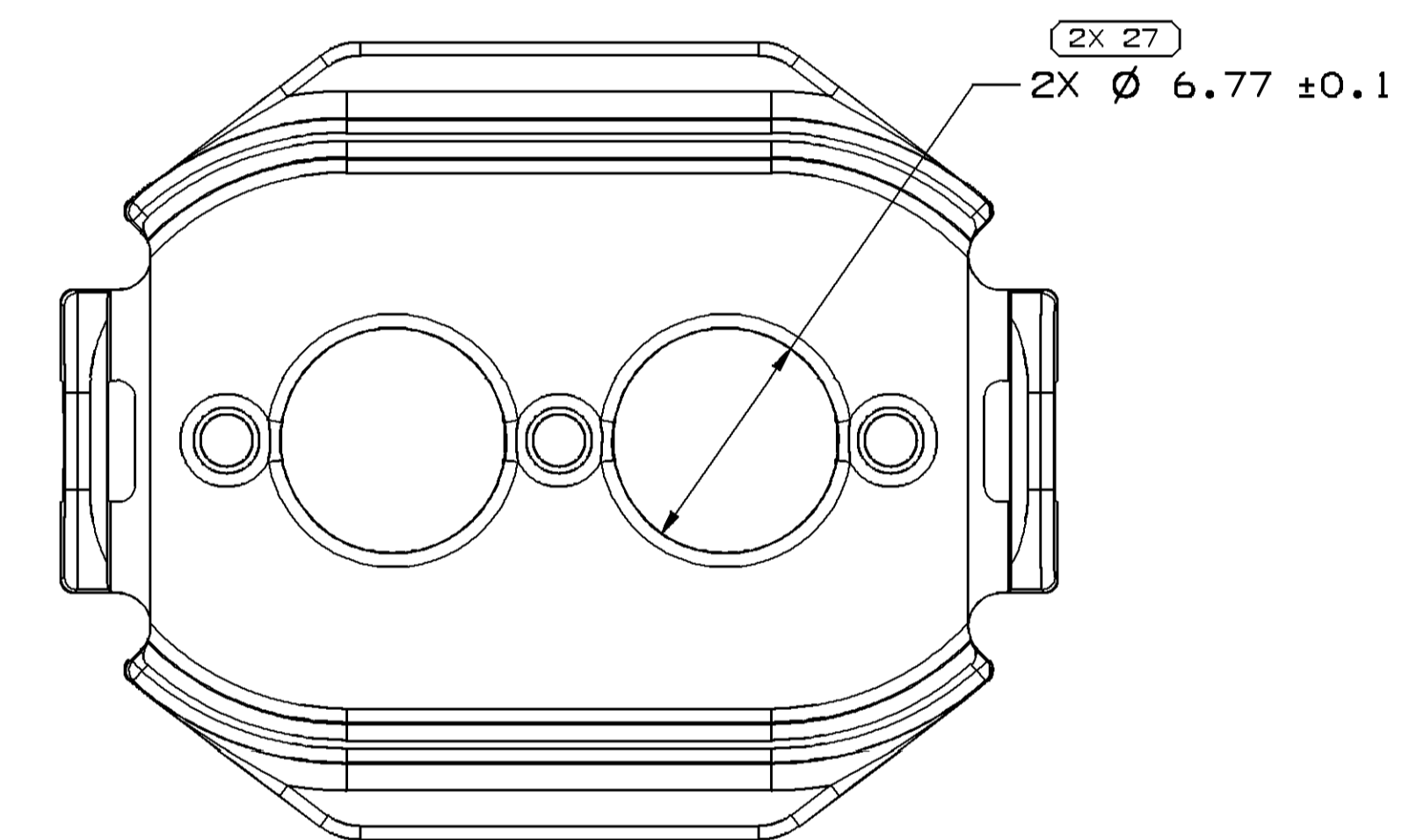


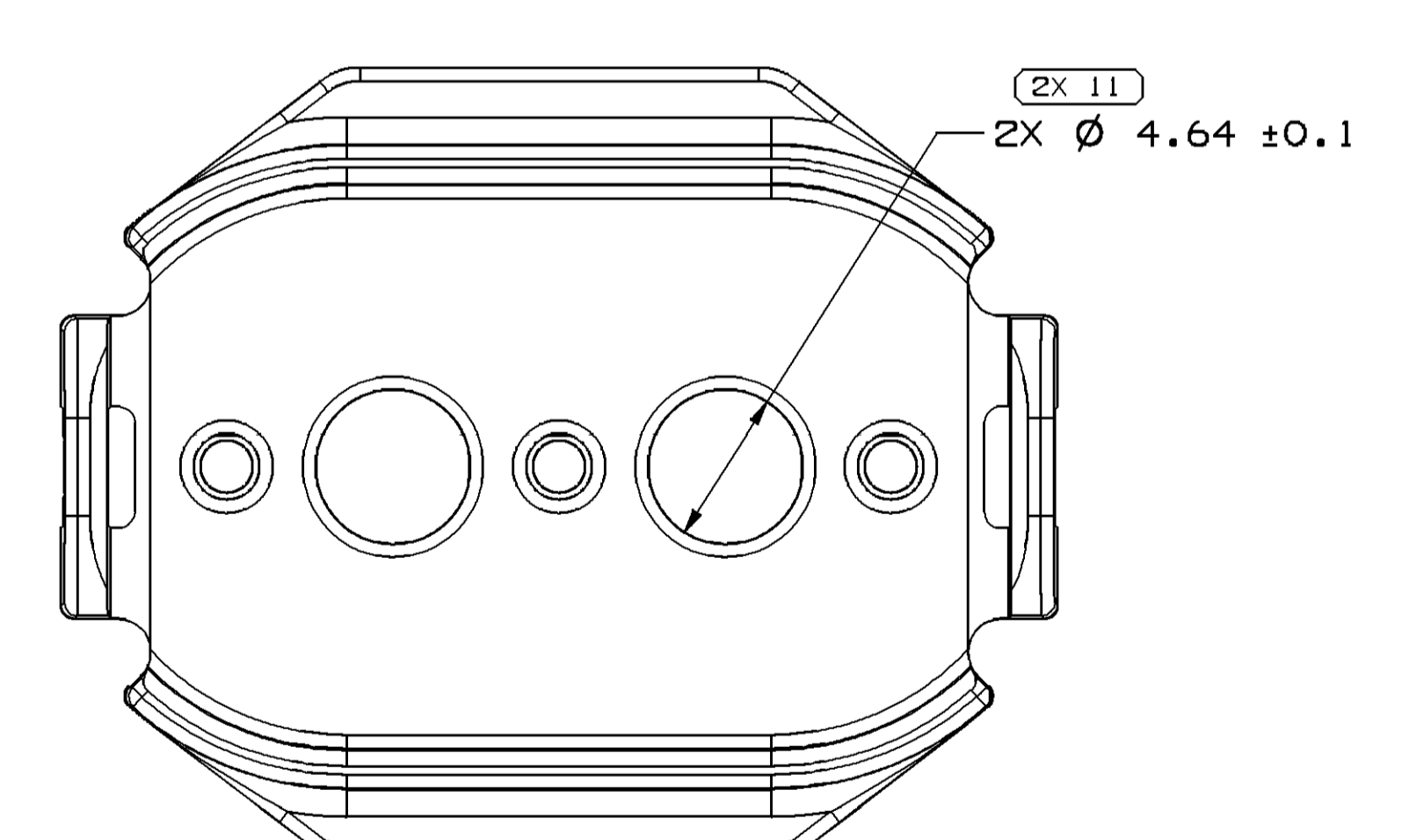
TYPE 106  
SAME AS TYPE 101  
EXCEPT AS SHOWN



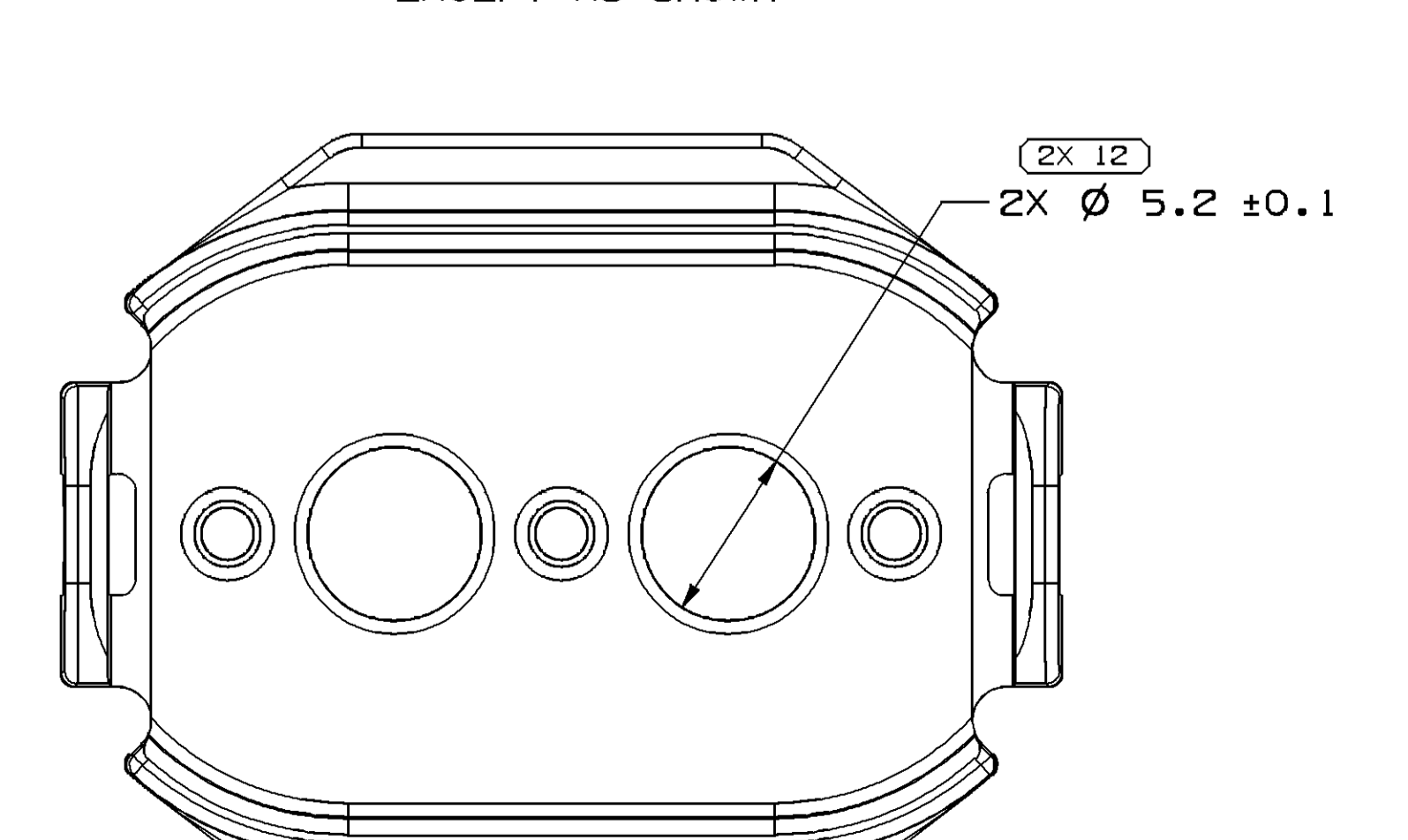
TYPE 105  
SAME AS TYPE 101  
EXCEPT AS SHOWN



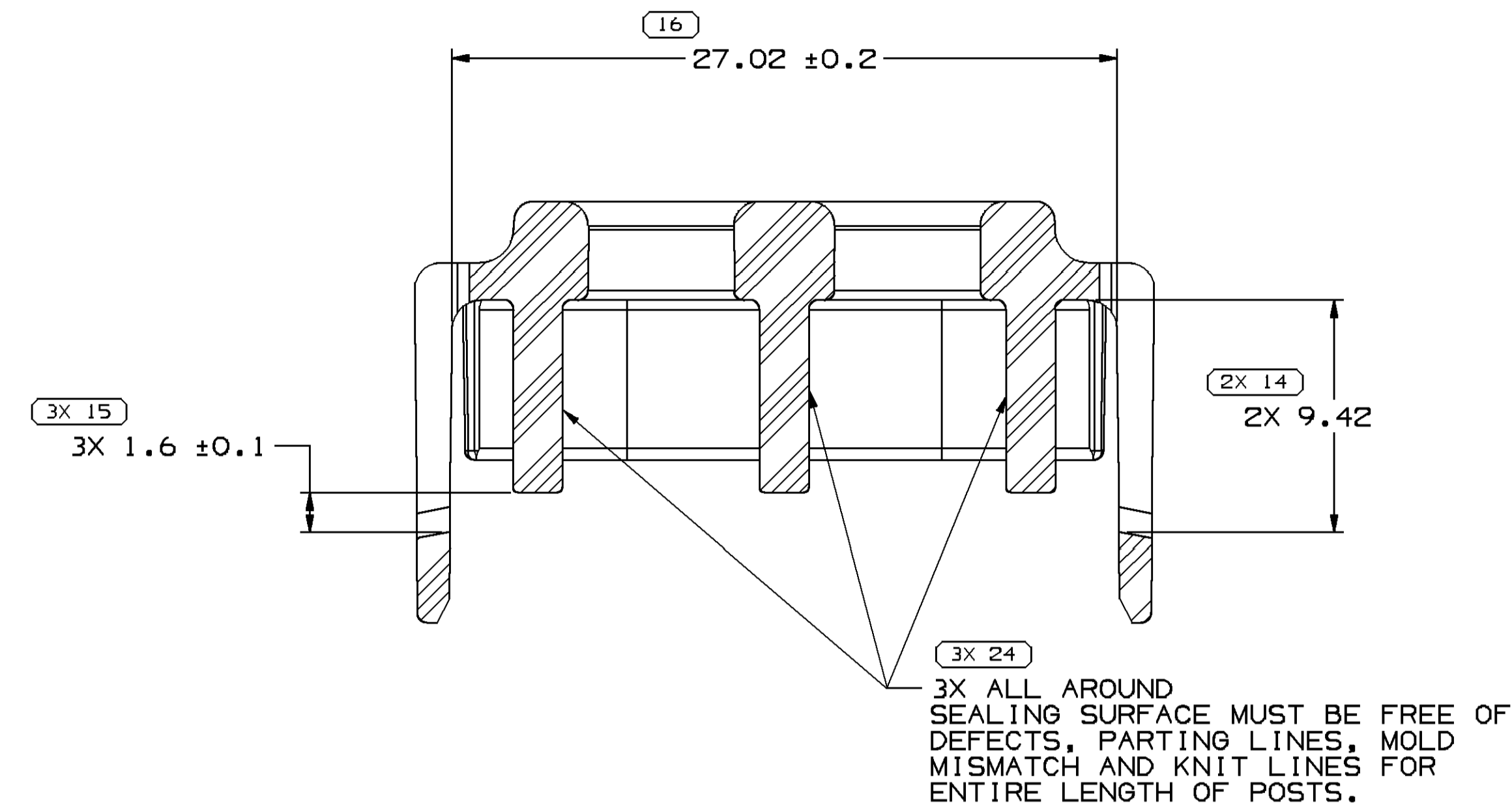
TYPE 104  
SAME AS TYPE 101  
EXCEPT AS SHOWN



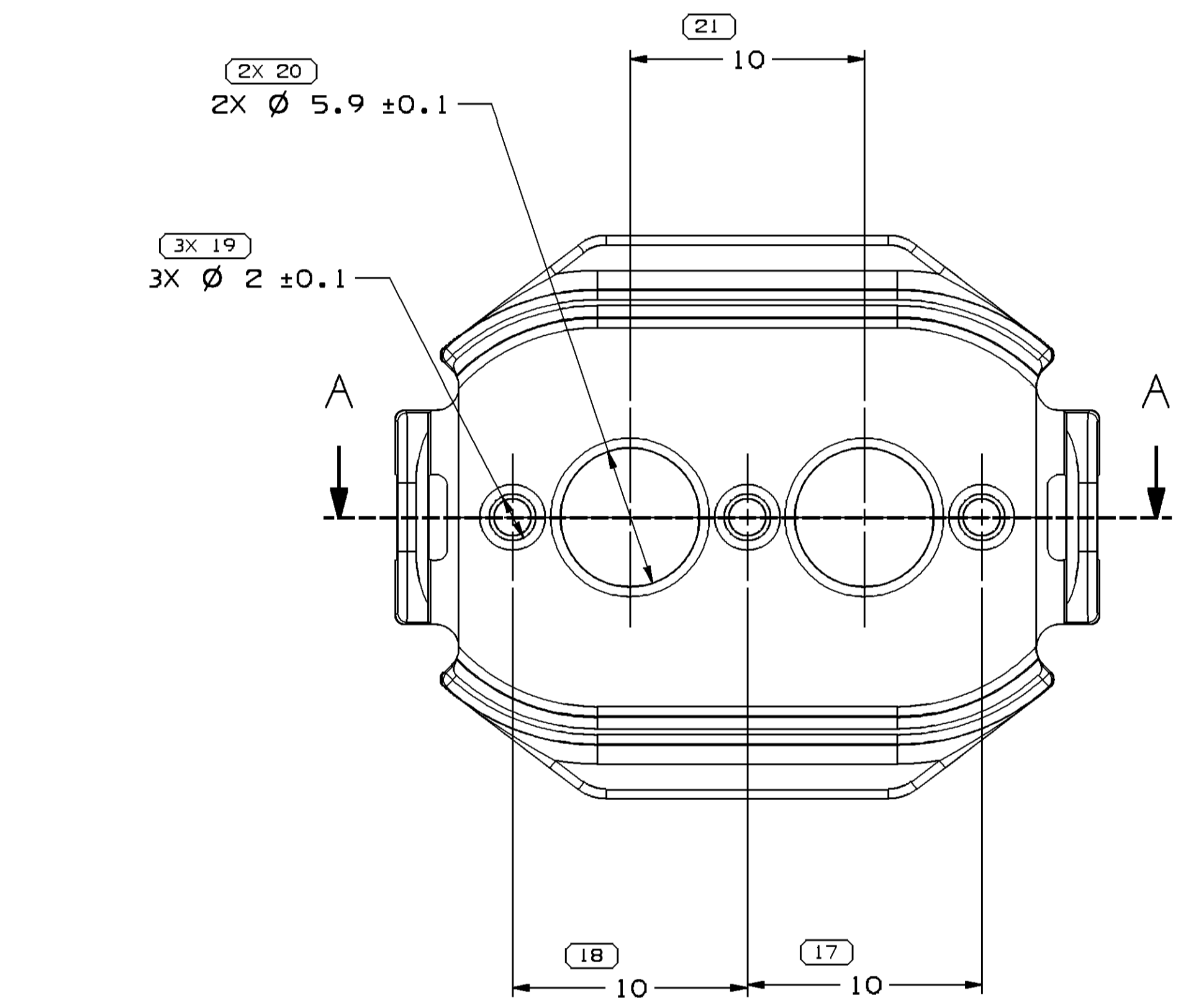
TYPE 103  
SAME AS TYPE 101  
EXCEPT AS SHOWN



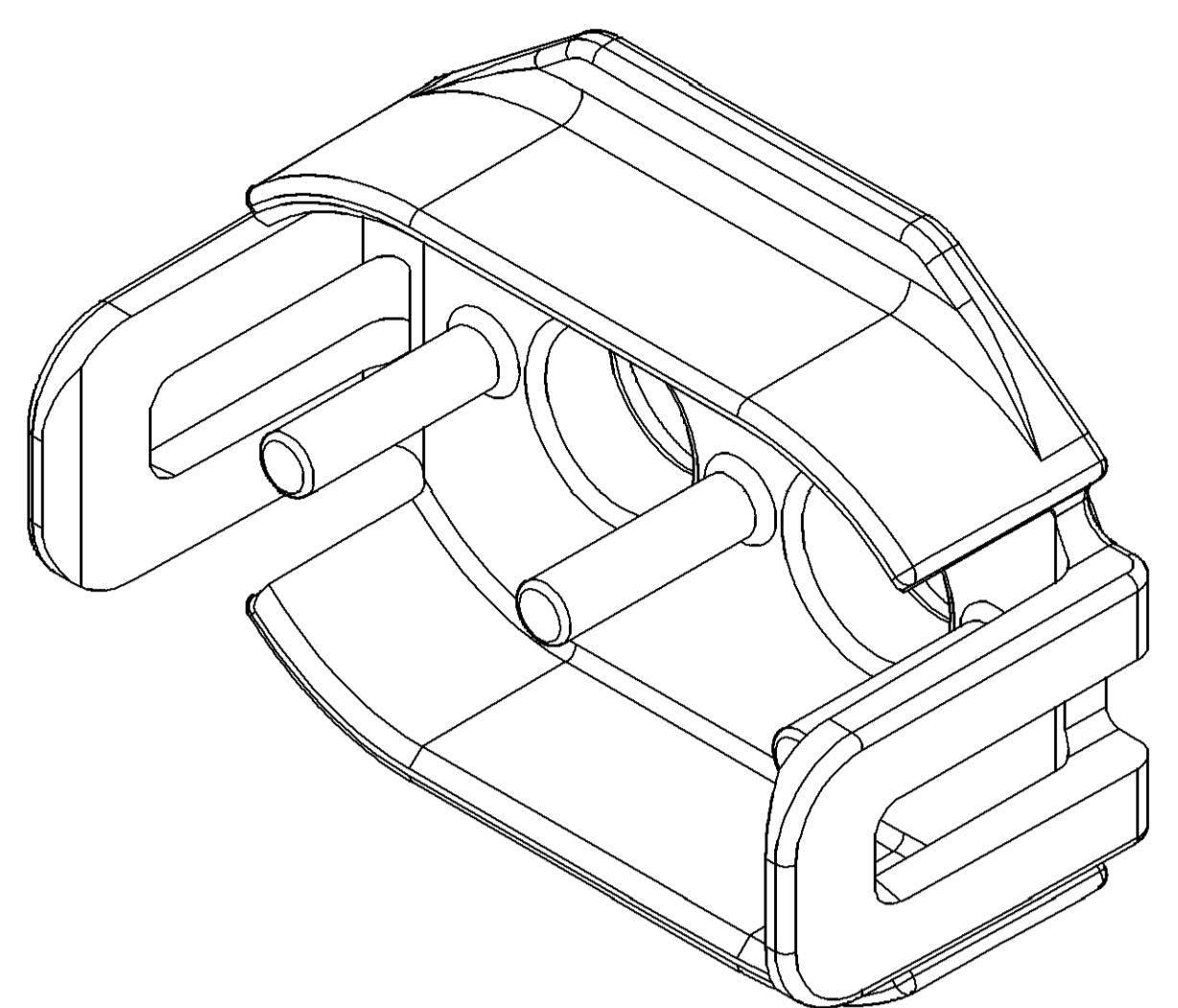
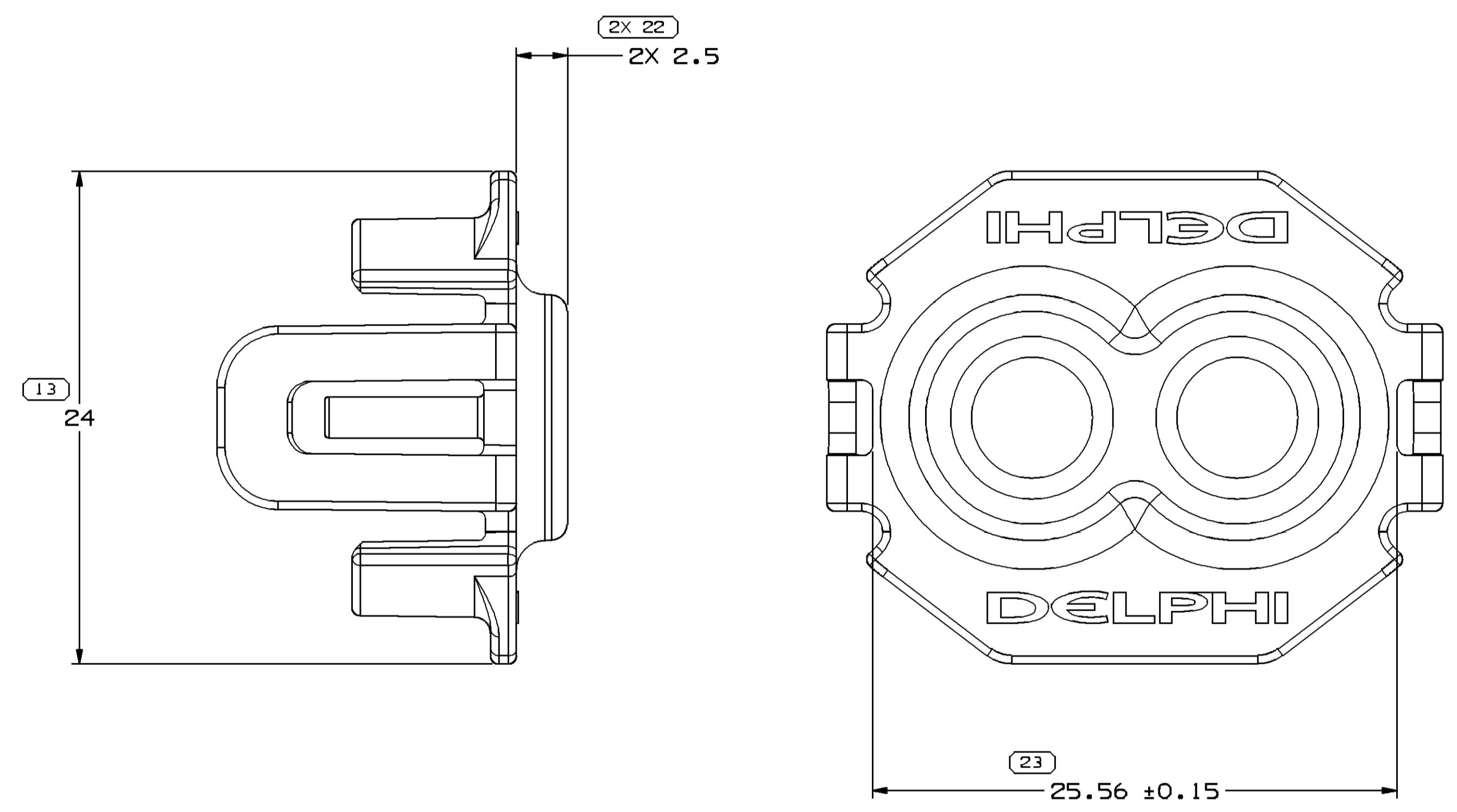
TYPE 102  
SAME AS TYPE 101  
EXCEPT AS SHOWN



SECTION A - A



TYPE 101



SYMBOL DEFINITION		TOTAL NO OF INSPECTIONS REQUIRED	MISSING SYMBOLS
A DIMENSION WITHOUT AN INSPECTION REPORT SYMBOL DOES NOT REQUIRE INSPECTION. IT MAY BE CONTROLLED ON THE INDIVIDUAL COMPONENT DRAWING.		31	1-10
	LAST NO. USED	27	

DWS STATUS		ZONE		REVISION HISTORY		AUTH	DR	APVD	NPVD
DATE	STG	REV	N/P	CHG					
02.JN10	R	01	-	-	ALL PARTS-CREATED PART DRAWING	410951	LLJ	LLJ	NL
15.JN10	R	02	-	-	ALL PARTS-PROCESS SENSITIVE DIMENSION WAS DIM 16	411098	LLJ	LLJ	NL
22.JL10	R	03	-	-	UPDATED PDM ATTRIBUTES	411376	LLJ	LLJ	NL
17.ND10	R	04	-	-	ALL PARTS-DIM 15 WAS 2.2, ADDED MATERIAL 2 PLACES & ADDED DIMS 23-24. REMOVED SEAL SURFACE NOTE.	412644	LLJ	LLJ	NL
05.AU11	R	05	-	-	ADDED TYPES 104-106 & DIMS 25-27. TYPES 101, 102 & 103-RELOCATED DIM 16.	414310	LLJ	LLJ	NL
14.MR12	R	06	-	-	ALL PARTS-DIM 16 WAS 27.02±0.18.	417474	LLJ	LLJ	NL
25.JN12	R	07	-	-	ALL PARTS-ADDED APPLICABLE CABLE SEAL TO CHART.	418535	LLJ	LLJ	NL

PART NUMBER	REV	N/P	TYPE	MATERIAL SPECIFICATION	VOL (CM <sup>3</sup> )	CABLE OD RANGE	SHIELDED, JACKETED CABLE SIZE	APPLICABLE CABLE SEAL OR EQUIVALENT
13888073	01	AB	106	POLYESTER COMPOUND RED	1.915	5.5 - 5	3 MM <sup>2</sup> (ISO)	13887974
13888072	01	AB	105	POLYESTER COMPOUND GRN	1.892	5.8 - 5.3	4 MM <sup>2</sup> (ISO)	13887973
13888071	01	AB	104	POLYESTER COMPOUND NAT	1.831	6.5 - 6	5 MM <sup>2</sup> (ISO)	13887943
13824780	03	AB	103	POLYESTER COMPOUND GRA	1.986	4.37 - 4.17	2 MM <sup>2</sup> (SAE)	13824776
13824779	03	AB	102	POLYESTER COMPOUND ORANGE	1.953	4.93 - 4.73	3 MM <sup>2</sup> (SAE)	13824775
13824778	03	AB	101	POLYESTER COMPOUND BLK	1.902	5.66 - 5.4	5 MM <sup>2</sup> (SAE)	13824774

- NOTES
- UNLESS OTHERWISE SPECIFIED AND/OR INDICATED: DIMENSIONS ARE TO FACE OF VIEW SHOWN AND AUTOMATICALLY ROUNDED BY COMPUTER FOR INSPECTION (SEE MATH MODEL FOR PRECISE DIMENSIONS). FOR ALL OTHER DIMENSIONS NOT SHOWN BUT REQUIRED FOR TOOL BUILD, SEE MATH MODEL FOR PRECISE TOOL PATH DATA.
  - PARTS SHOWN ON THIS DRAWING ACCEPT ASSEMBLIES SHOWN ON TAXI 13830164.
  - (1.5)X(0.1) DELPHI CORPORATE BRAND TO BE LOCATED ON ANY EXTERIOR SURFACE, PREFERABLY VISIBLE AT FINAL ASSEMBLY.

DIMENSIONAL RANGE (MM)	TOLERANCE UNLESS OTHERWISE SPECIFIED	CHART REF
FROM > 0	> 20	> 70
TO 20	30	100
	40	150
	50	200
	60	250
	70	300
	80	350
	90	400

**DELPHI**  
DELPHI PACKARD ELECTRICAL/ELECTRONIC ARCHITECTURE  
WARREN, OH  
COPYRIGHT 2010 DELPHI CORPORATION AND/OR ITS AFFILIATES. ALL RIGHTS RESERVED.  
THIS DRAWING IS THE PROPERTY OF DELPHI CORPORATION. THE REPRODUCTION, DISTRIBUTION AND UTILIZATION OF THIS DOCUMENT OR ITS RELATED CAD DATA AS WELL AS COMMUNICATION OF ANY CONTENT TO OTHERS, WITHOUT EXPRESS AUTHORIZATION IS PROHIBITED.

DATE: 02.JN10  
OR: L. JONES  
APV02: L. JONES  
APV03: N. LIPTAK  
APV04:

DRAWING NUMBER: 13830200

SIZE: A0  
SCALE: 5:1  
FRAME NO: 1 OF 1  
SHEET NO: 1 OF 1  
STG: R  
REV: 07