

PART NAME: KNOB      SCALE: 1:1      DATE: 9/8/04      DR. BY JAM

THIS DRAWING IS THE PROPERTY OF DAVIES MOLDING COMPANY, IS SUBMITTED SOLELY AS A DESIGN OR ENGINEERING PROJECT. WE ACCEPT NO RESPONSIBILITY WHATSOEVER FOR THE PRACTICAL APPLICATION OF THE PIECES MADE TO THIS DESIGN.

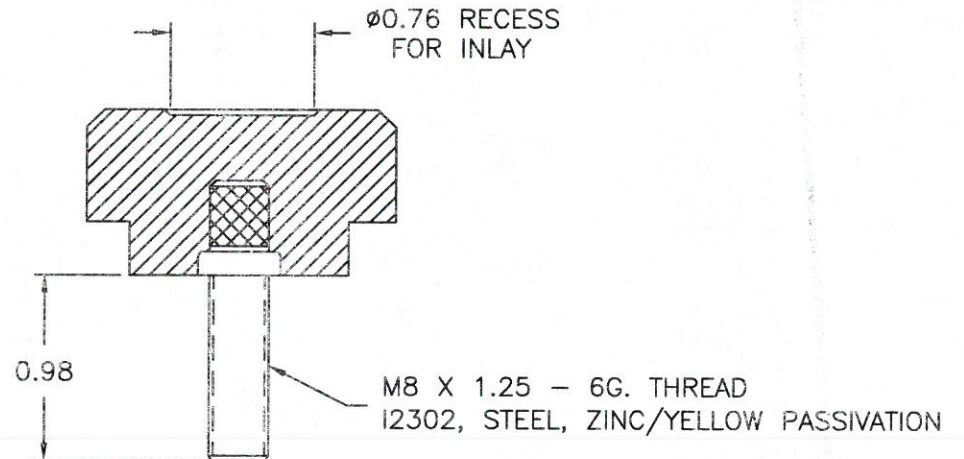
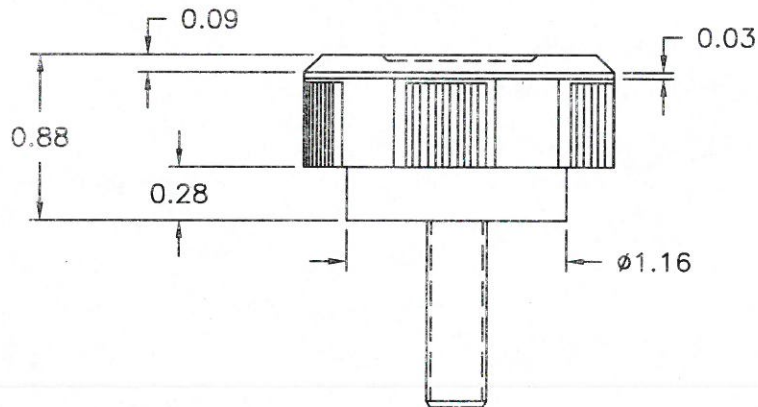
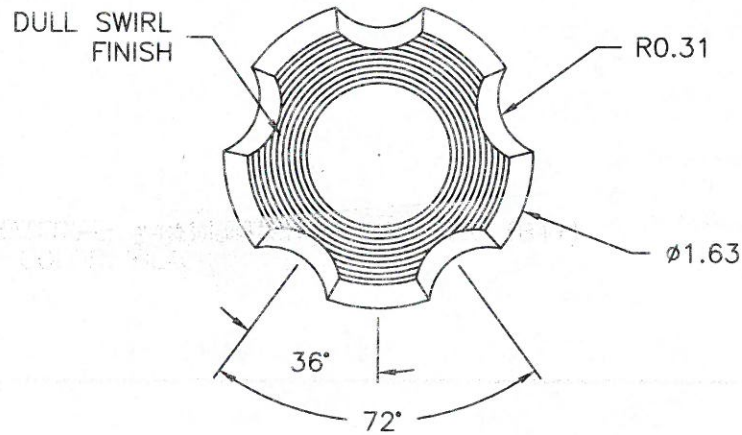


DESIGNERS & MANUFACTURERS OF KNOBS, HANDLES, CASES & CUSTOM PLASTIC COMPONENTS

P/N 2870BU

MNO. 3035

CAVITY	2870
PLUNGER	2870
CAVITY PLUG	2870
PLUNGER PIN	2870
CAVITY SPACER	0.126
PIN BAR SHIM	0.125
PINS	BP2870BU
INSERT	I2302
KEY DIM	1/4x1/4x1/2



MATERIAL: #4311 PLENCO PHENOLIC (B41)  
COLOR: BLACK

TOLERANCES: UNLESS OTHERWISE SPECIFIED	DO NOT SCALE DRAWING			
DECIMALS: X.XXX ± .005 X.XX ± .015	MM: X.XX ± 0.15MM X.X ± 0.4MM			
FRACTIONS ± 1/64	ANG. ± 1°	- WAS SK287C-06 JAM 9/8/04		
CHANGES				