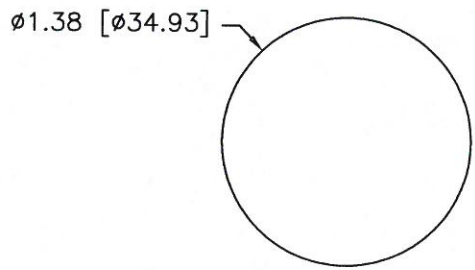


PART NAME: BALL KNOB SCALE: 1:1 DATE: 10/24/90 DR. BY HD

DAVIES MOLDING DESIGNERS & MANUFACTURERS OF KNOBS, HANDLES, CASES & CUSTOM PLASTIC COMPONENTS

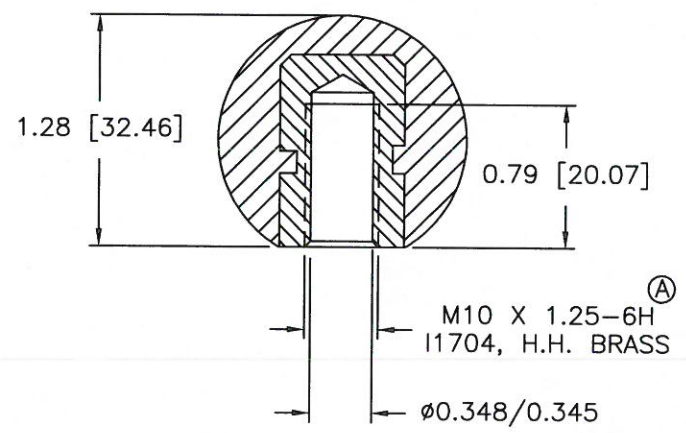
THIS DRAWING IS THE PROPERTY OF DAVIES MOLDING COMPANY, IS SUBMITTED SOLELY AS A DESIGN OR ENGINEERING PROJECT. WE ACCEPT NO RESPONSIBILITY WHATSOEVER FOR THE PRACTICAL APPLICATION OF THE PIECES MADE TO THIS DESIGN.

P/N 0033-L	
MNO. 3220	
CAVITY	0033
PLUNGER	0033
PIN	0033-L
SHIM	0.045
INSERT	11704



Ⓑ

NOTE :
(1) PULLING OUT FORCE FOR METALLIC PART IS 100 kg. MIN.



MATERIAL: G.P. PHENOLIC (B11)
COLOR: BLACK

TOLERANCES: UNLESS OTHERWISE SPECIFIED	DO NOT SCALE DRAWING			
		-	CAD REDRAW	HD 6/9/92
DECIMALS: X.XXX ± .005 X.XX ± .015	MM: X.XX ± 0.15MM X.X ± 0.4MM	B	.045 SHIM WAS .018	HD 4/24/97
		A	MM. DELETED & 11704 REVISED	HD 7/6/95
FRACTIONS ± 1/64	ANG. ± 1'	CHANGES		