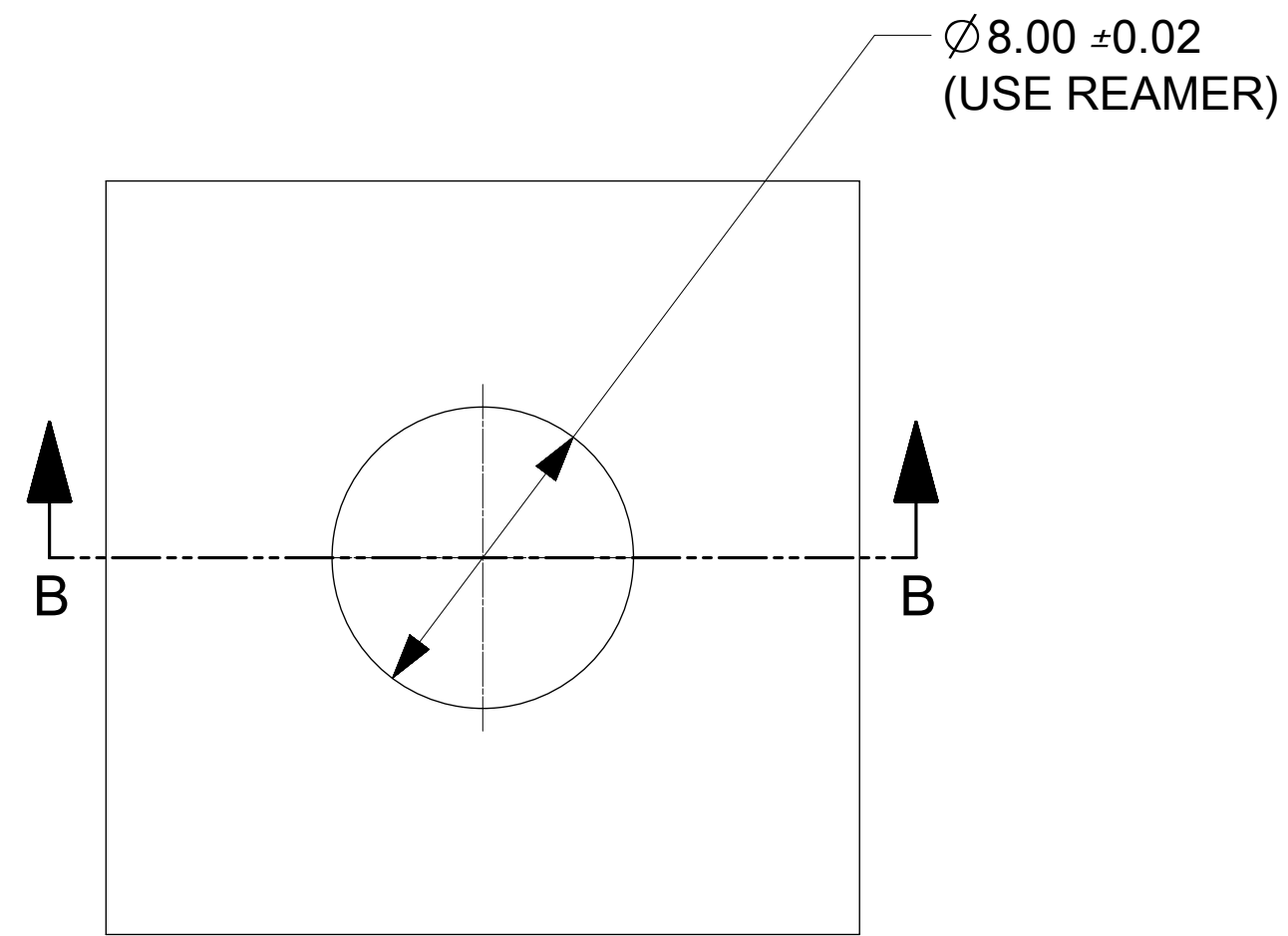
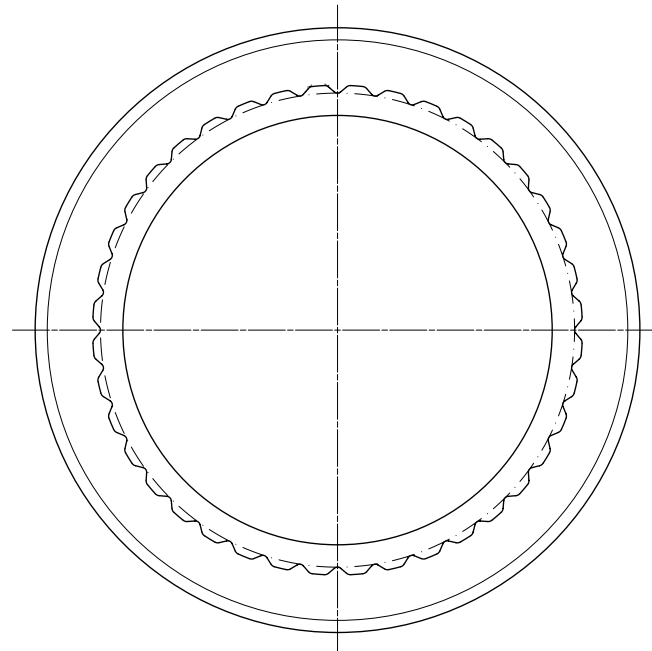
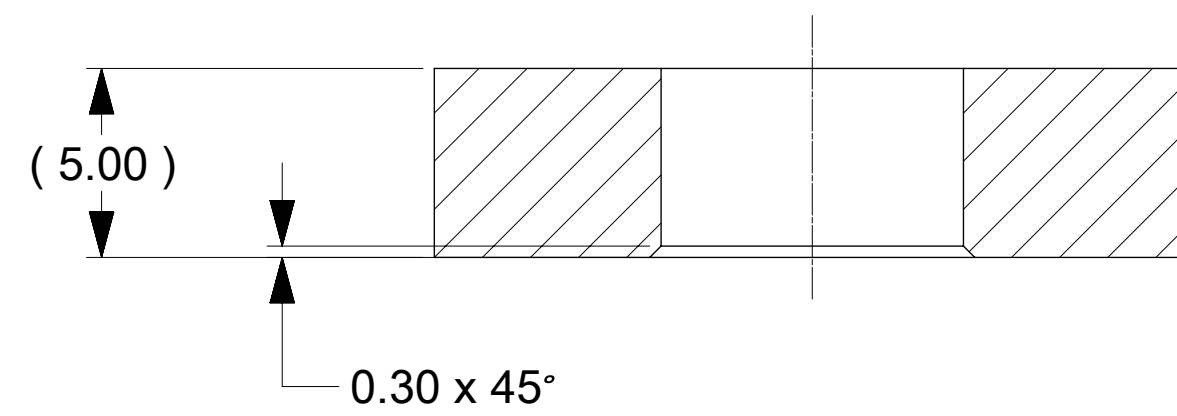
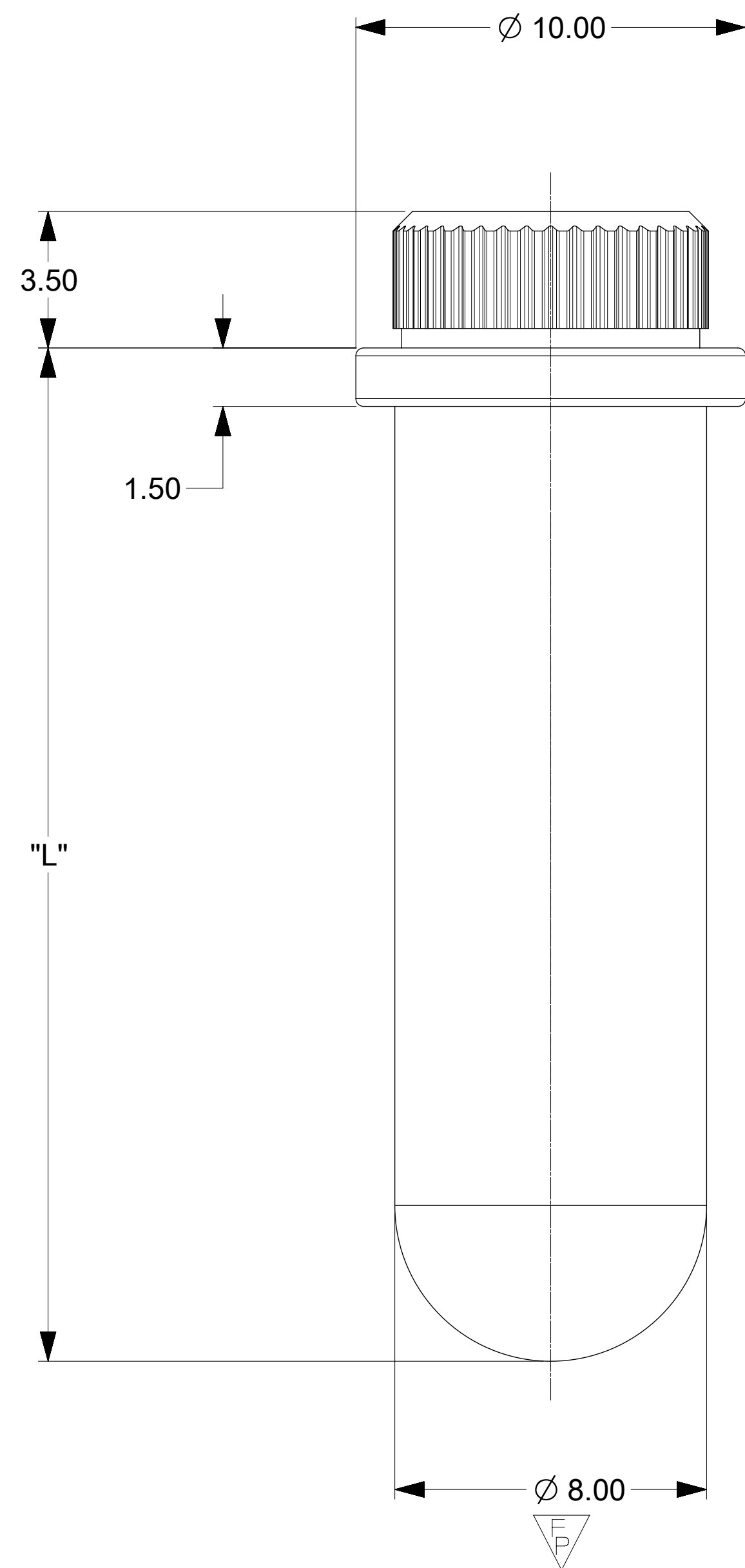
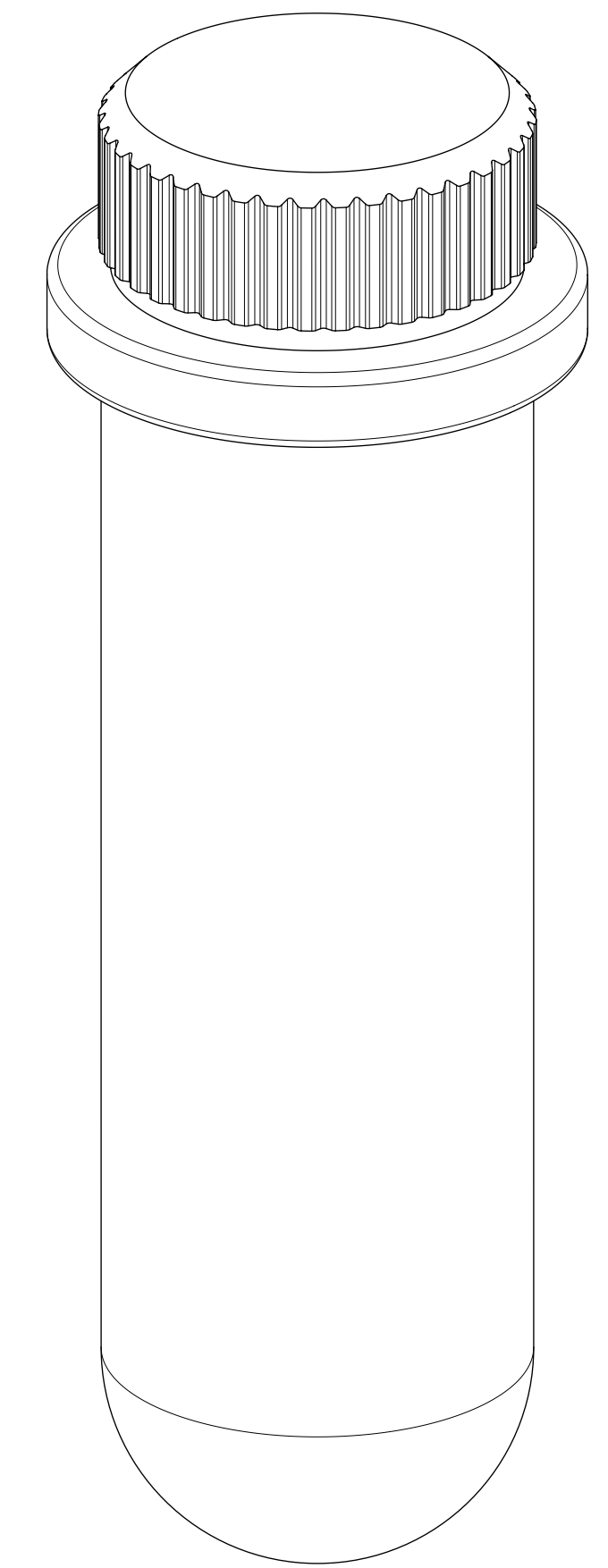


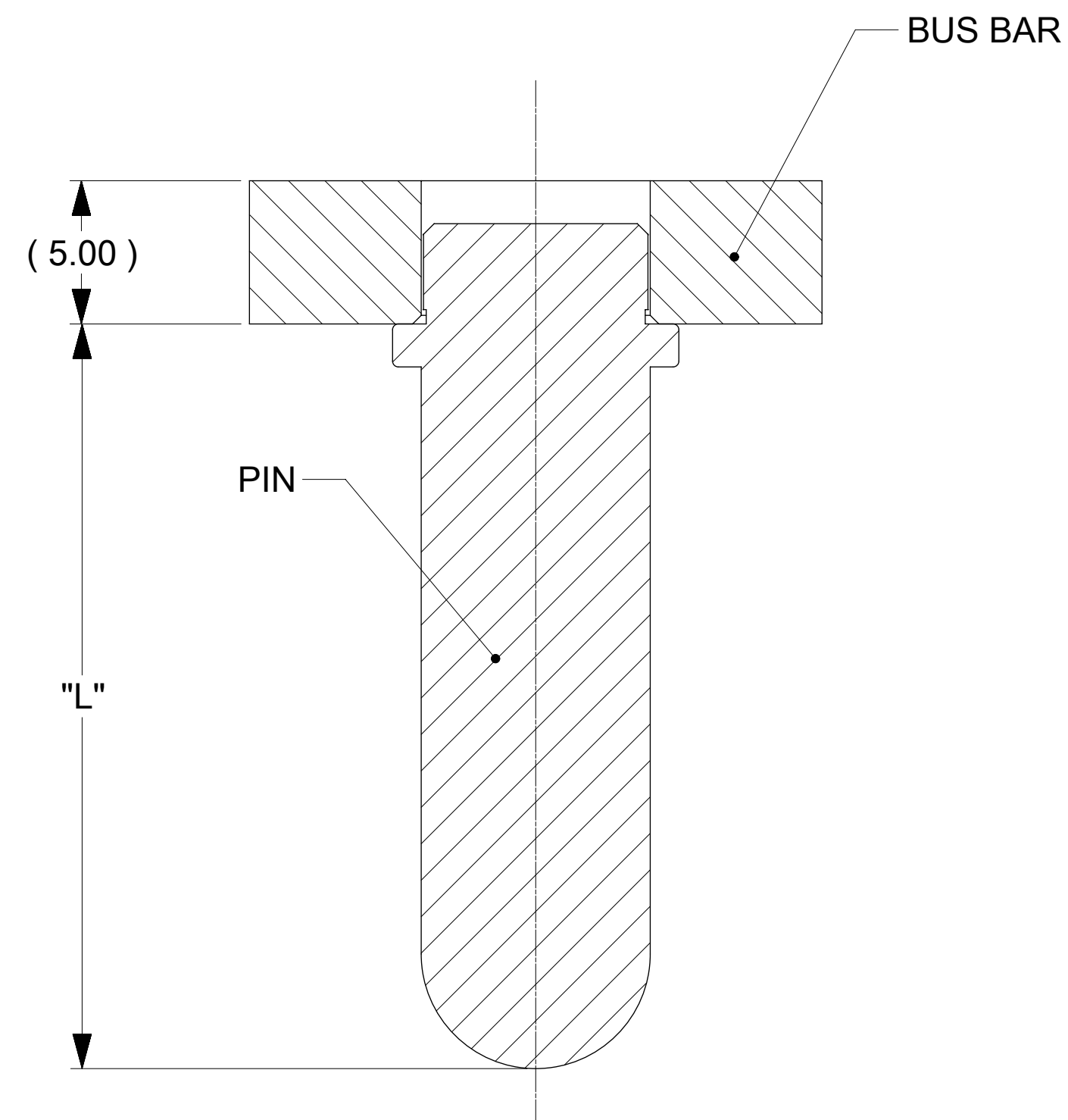
PART NUMBER	DIMENSION "L"
203263-0011	16.0
203263-0001	26.0
203263-0031	36.0
203263-0041	46.0



HOLE REQUEST ON BUS BAR



SECTION B-B



NOTES:

1. MATERIAL: COPPER ALLOY.
2. PLATING: SILVER.
3. PRODUCT SPECIFICATION: 204313001-PS
4. APPLICATION SPECIFICATION: 2043130001-AS
5. PACKAGING SPECIFICATION: 2043139001-PK
6. SILVER COMPONENTS WILL BE SUPPLIED TARNISH FREE BUT MAY TARNISH OVER TIME.

THIS DRAWING CONTAINS INFORMATION THAT IS PROPRIETARY TO MOLEX ELECTRONIC TECHNOLOGIES, LLC AND SHOULD NOT BE USED WITHOUT WRITTEN PERMISSION									
DIMENSION UNITS mm		SCALE 10:1		CURRENT REV DESC: INITIAL RELEASE				molex	
GENERAL TOLERANCES (UNLESS SPECIFIED)						MALE PIN - DIA 8.0 CST			
ANGULAR TOL		± °		EC NO: 177274		PRODUCT CUSTOMER DRAWING		DOCUMENT NUMBER	
4 PLACES		±		DRWN: ANESSER 2018/05/23		2032630001-SD		DOC TYPE	
3 PLACES		±		CHK'D: JJONIAK 2018/06/14		PSD		DOC PART	
2 PLACES		± 0.15		APPR: JJONIAK 2018/06/14		000		REVISION	
1 PLACE		± 0.25		INITIAL REVISION:		A			
0 PLACES		±		DRWN: TOMLU 2017/04/20		SEE CHART		GENERAL MARKET	
DRAFT WHERE APPLICABLE MUST REMAIN WITHIN DIMENSIONS		THIRD ANGLE PROJECTION		DRAWING		SERIES		SHEET NUMBER	
		D-SIZE		203263		1 OF 1			