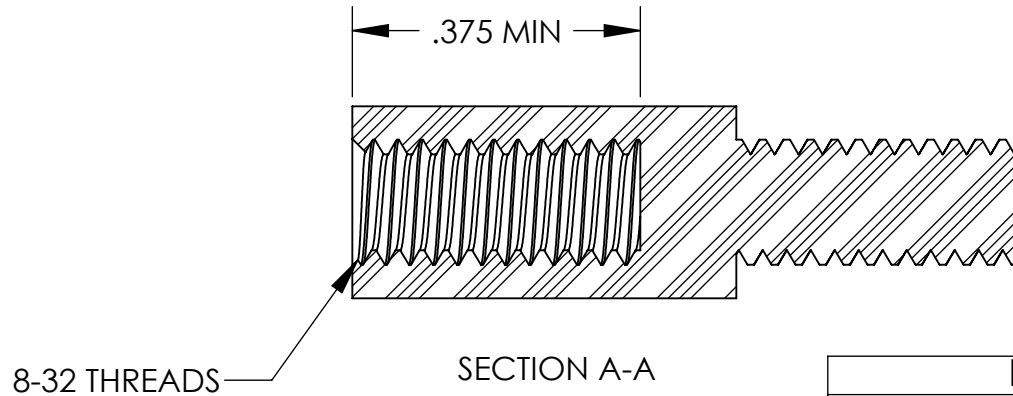
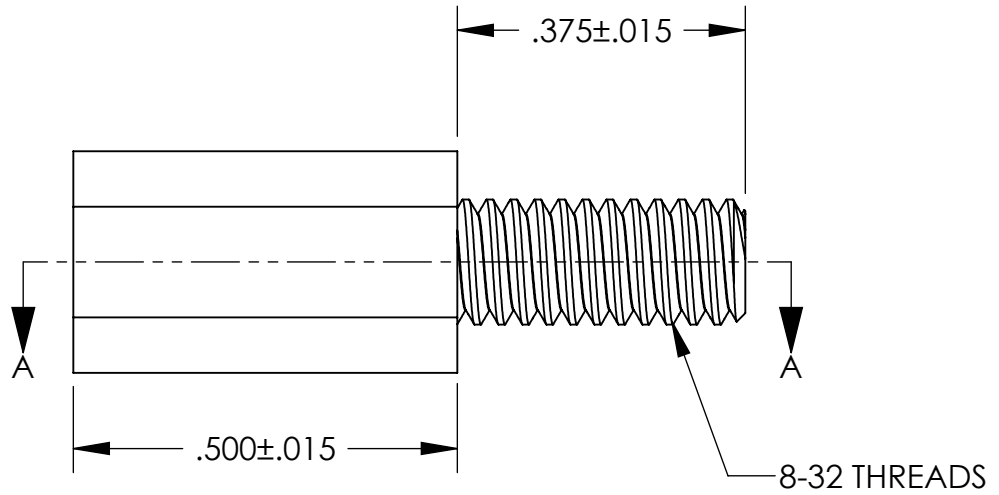
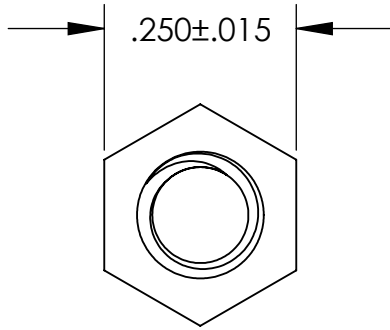


UNCONTROLLED DOCUMENT



TOLERANCES UNLESS NOTED

- ±.005 ON DIMENSIONS THRU .625
- ±.008 ON DIMENSIONS .626 THRU 1.000
- ±.010 ON DIMENSIONS 1.001 THRU 1.500
- ±.015 ON DIMENSIONS LARGER THAN 1.500
- ±.015 ON FRACTIONAL DIMENSIONS

WE RESERVE THE RIGHT  
TO DISCONTINUE ITEMS,  
CHANGE SPECIFICATIONS  
OR DESIGN AT ANY TIME  
WITHOUT NOTICE AND  
WITHOUT INCURRING  
ANY OBLIGATIONS

|  |              |            |
|--|--------------|------------|
| PROPERTY OF  |              |            |
| <b>MICRO PLASTICS INC.</b>   |              |            |
| CATALOG DRAWING<br>MALE-FEMALE THREADED STANDOFF<br>MICRO P/N 36832MF050<br>DWG. # 36832MF050<br>FILE SERVER\ENG\WEB |              |            |
| MATERIAL:  |              | 6/6 NYLON  |
| DATE   | SCALE<br>4:1 | <b>DSB</b> |