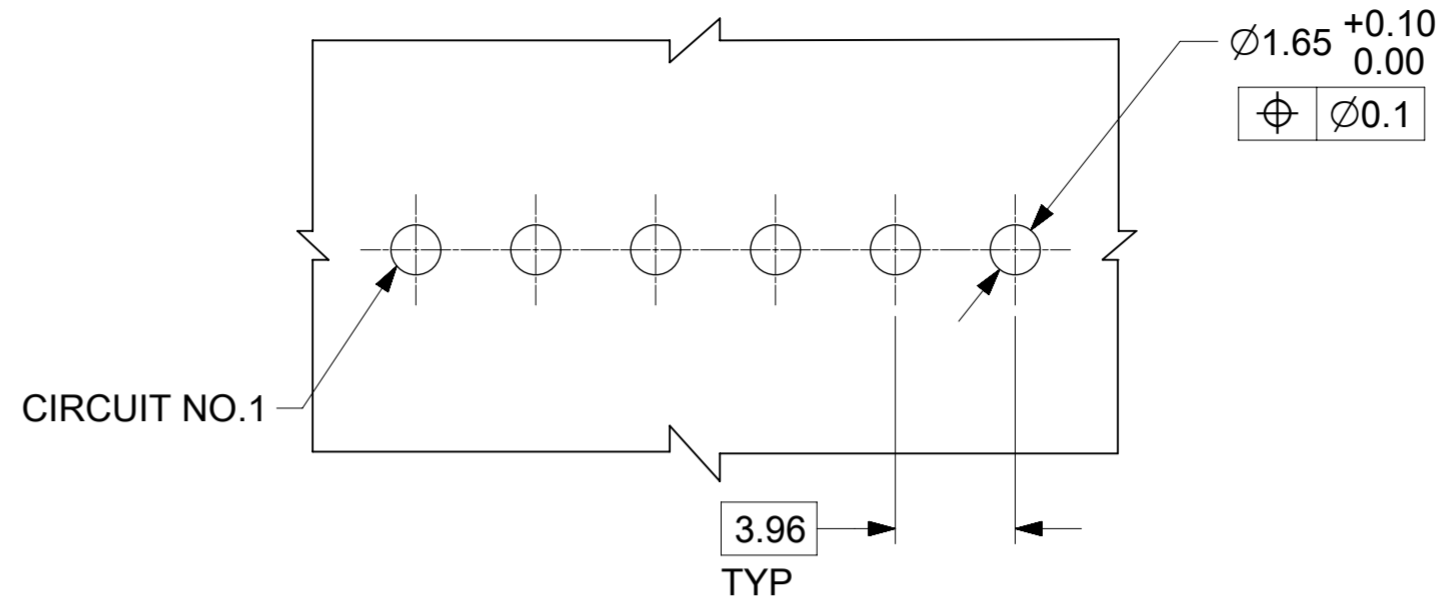
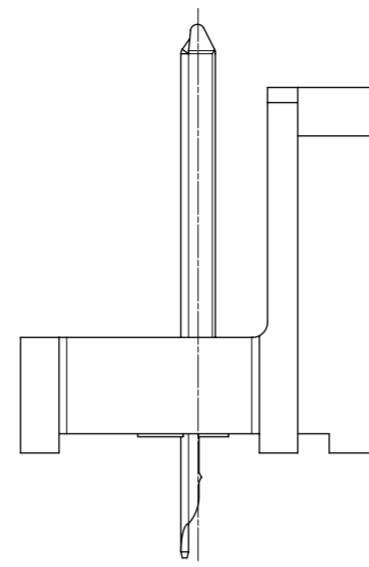
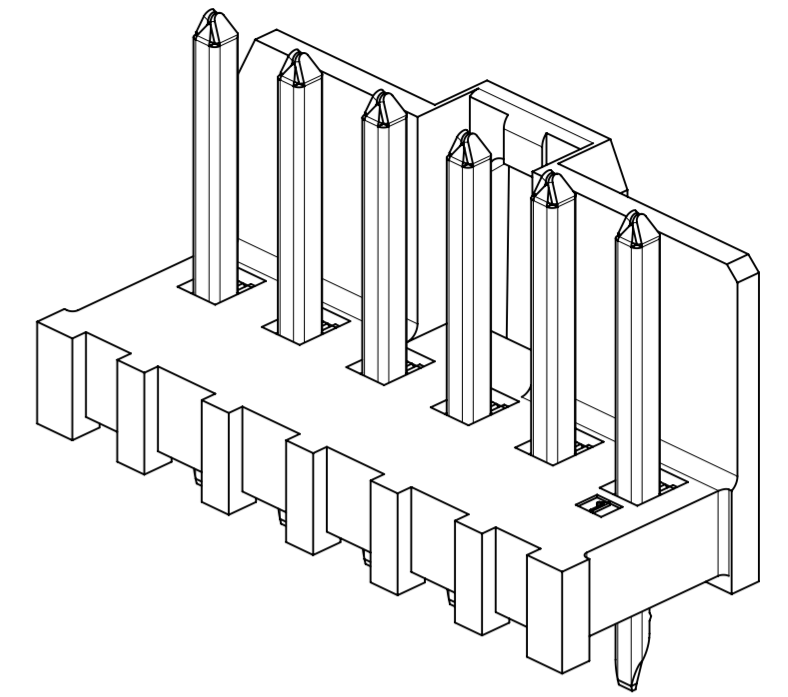


UNSHROUDED HEADER ASSEMBLY WITHOUT PEG
APPLICABLE TO P/N 207478000X

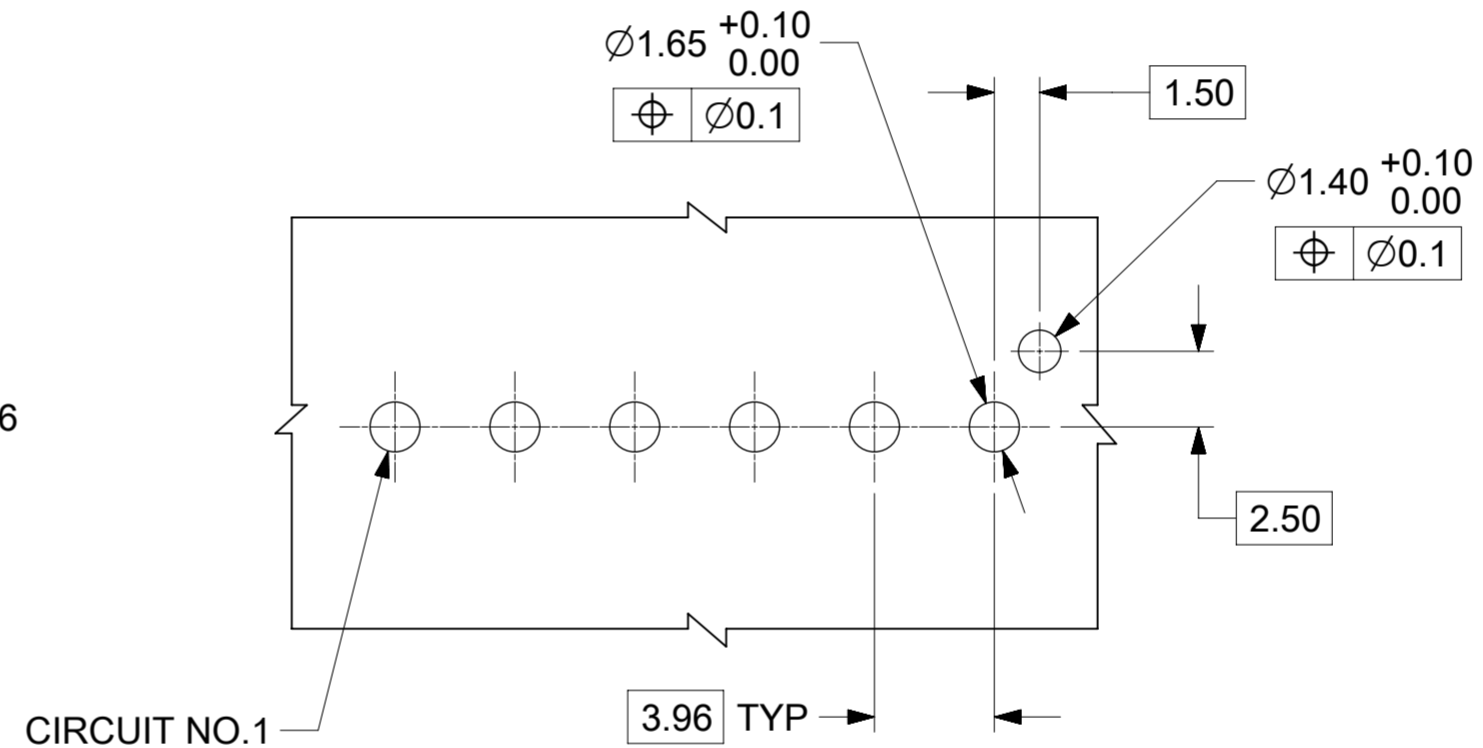
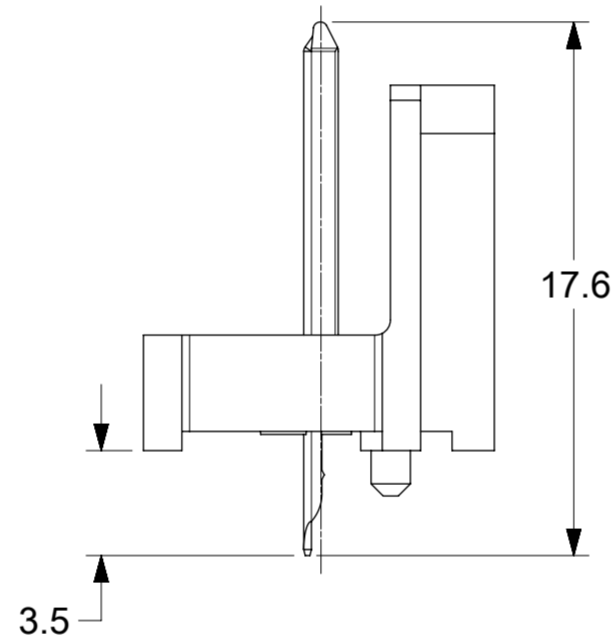


PCB LAYOUT VIEWED FROM THE SOLDERING SIDE
(RECOMMENDED PCB THICKNESS : 1.60mm)

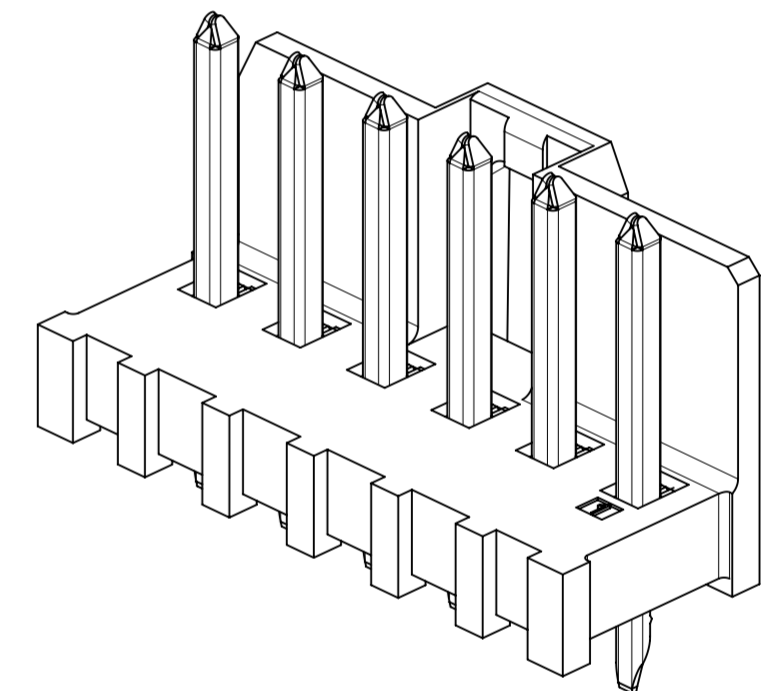


ISOMETRIC VIEW 6 CIRCUIT

UNSHROUDED HEADER ASSEMBLY WITH PEG
APPLICABLE TO P/N 207478100X



PCB LAYOUT VIEWED FROM THE SOLDERING SIDE
(RECOMMENDED PCB THICKNESS : 1.60mm)



ISOMETRIC VIEW 6 CIRCUIT

- NOTES:
 1. MATERIAL:
 a. HOUSING: LIQUID CRYSTAL POLYMER.
 RATED UL94V-0, COLOR-BLACK
 b. TERMINAL: BRASS ALLOY
 PLATING: TIN OVER COPPER OVERALL
 2. PRODUCT SPECIFICATION: 2074580000-PS
 3. PACKAGING SPECIFICATION: 2074790000-PK
 4. COSMETIC SPECIFICATION: PS-45499-002 CLASS B

THIS DRAWING CONTAINS INFORMATION THAT IS PROPRIETARY TO MOLEX ELECTRONIC TECHNOLOGIES, LLC AND SHOULD NOT BE USED WITHOUT WRITTEN PERMISSION									
DIMENSION UNITS		SCALE		CURRENT REV DESC: INITIAL RELEASE					
mm		4:1							
GENERAL TOLERANCES (UNLESS SPECIFIED)				EC NO: 618332					
ANGULAR TOL ± 0.5°				DRWN: SMAHAJANSHET		2019/05/31			
4 PLACES ±				CHK'D: NCSR		2019/06/05			
3 PLACES ±				APPR: NCSR		2019/06/05			
2 PLACES ± 0.2				INITIAL REVISION:					
1 PLACE ± 0.25				DRWN: GGUNAGI		2018/09/19			
0 PLACES ±				APPR: NCSR		2019/02/05			
DRAFT WHERE APPLICABLE MUST REMAIN WITHIN DIMENSIONS		THIRD ANGLE PROJECTION		DRAWING		SERIES		MATERIAL NUMBER	
				A2-SIZE		207478		SEE TABLE	
				CUSTOMER		SERIES		DOCUMENT NUMBER	
				GENERAL MARKET		207478		2074781000-SD	
				SHEET NUMBER		DOC TYPE		DOC PART	
				1 OF 1		PSD		000	
								B	

HOUSING TYPE	CIRCUIT SIZE	HEADER ASSY P/N	DIM. A
UNSHROUDED HEADER ASSY WITH PEG	02	2074781002	8.79
	03	2074781003	12.75
	04	2074781004	16.71
	05	2074781005	20.68
UNSHROUDED HEADER ASSY WITHOUT PEG	06	2074781006	24.64
	02	2074780002	8.79
	03	2074780003	12.75
	04	2074780004	16.71
	05	2074780005	20.68
06	2074780006	24.64	

DOCUMENT STATUS	P1	RELEASE DATE	2019/06/05	07:23:13
-----------------	----	--------------	------------	----------