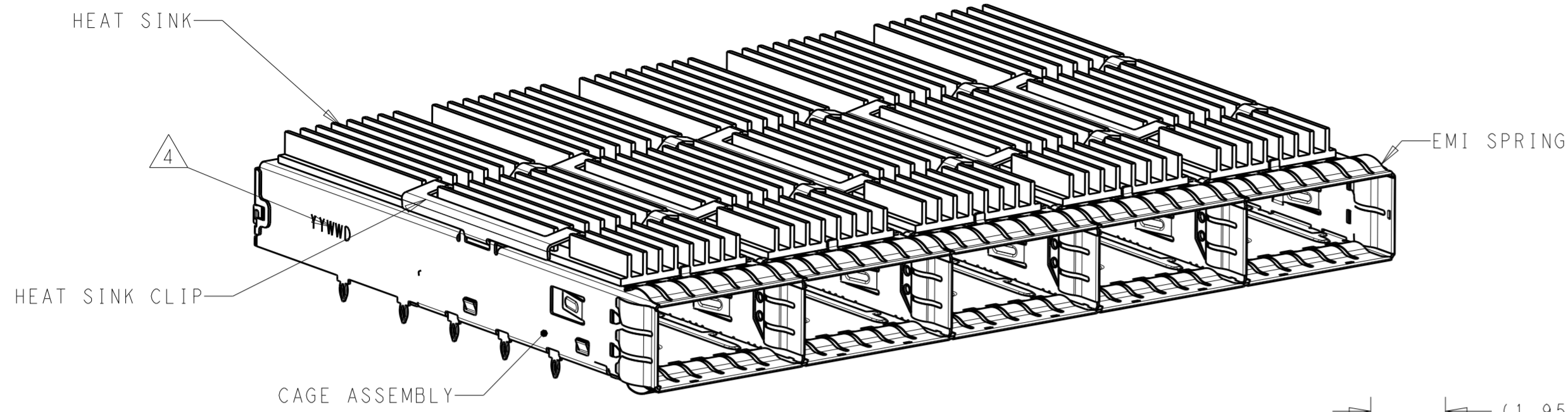
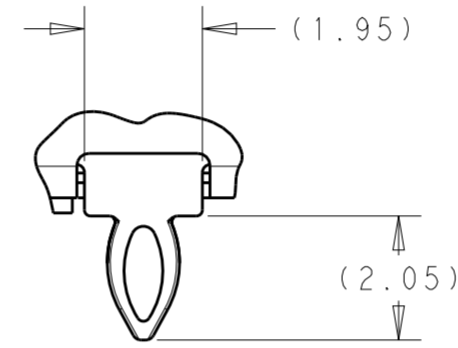


THIS DRAWING IS UNPUBLISHED. RELEASED FOR PUBLICATION 20
 © COPYRIGHT 20 BY - ALL RIGHTS RESERVED.

REVISIONS					
P	LTR	DESCRIPTION	DATE	DWN	APVD
	A	PRODUCTION RELEASE	13JUN2019	JW	SH

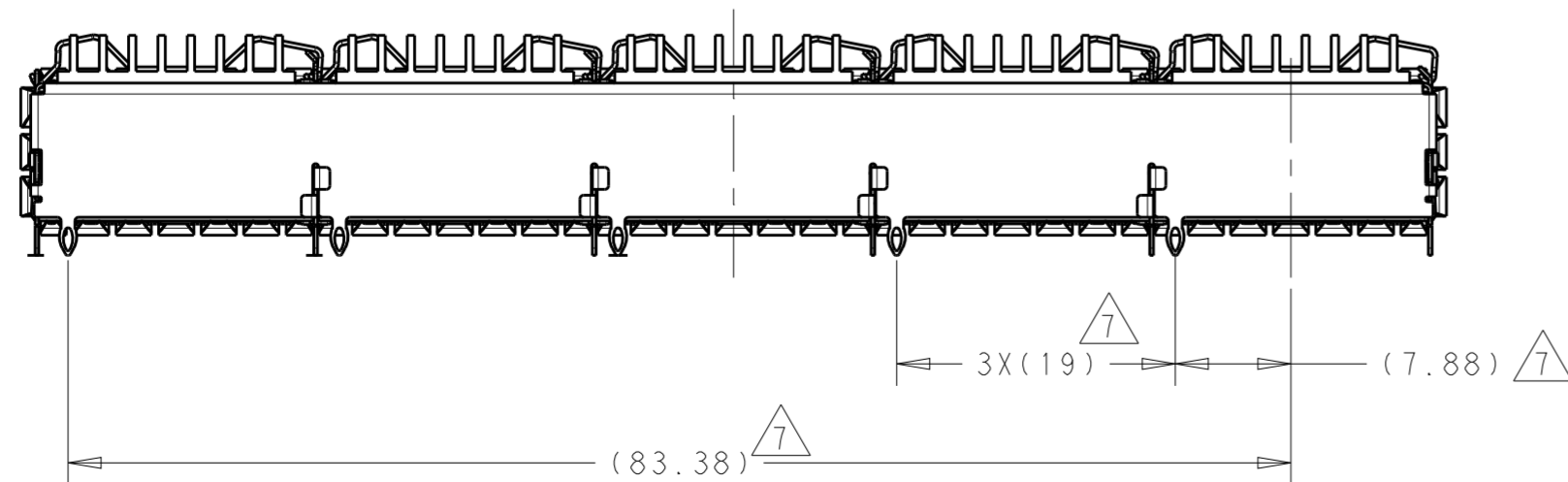
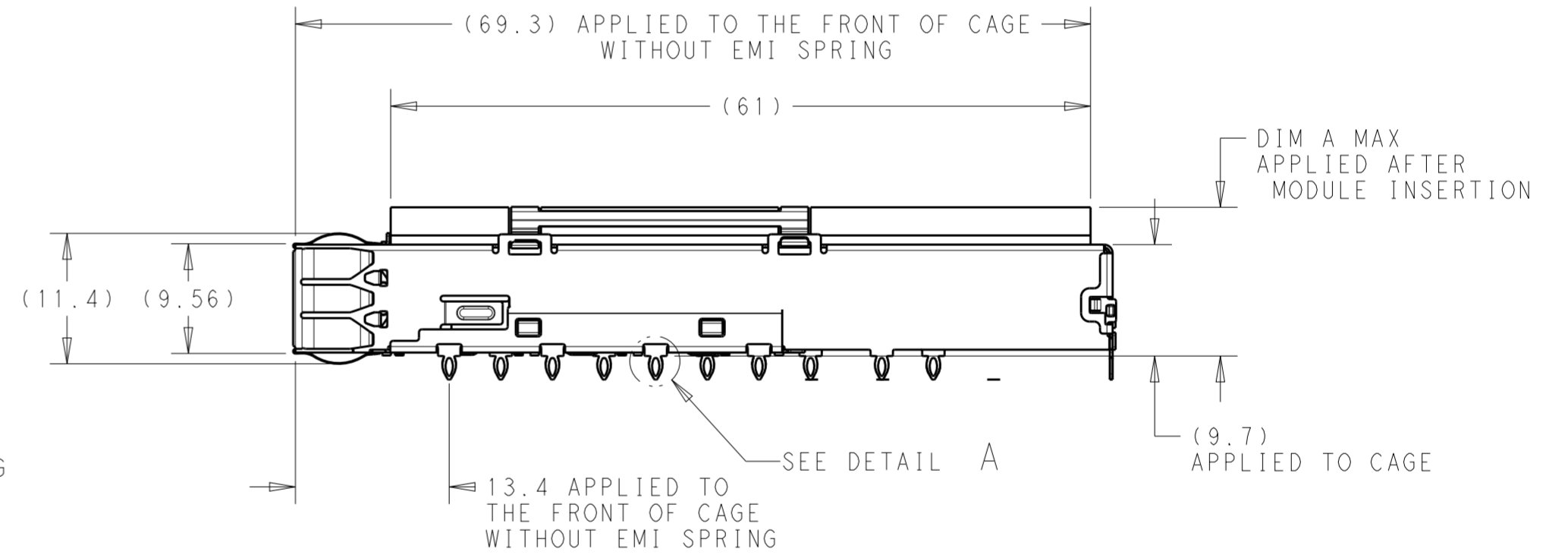
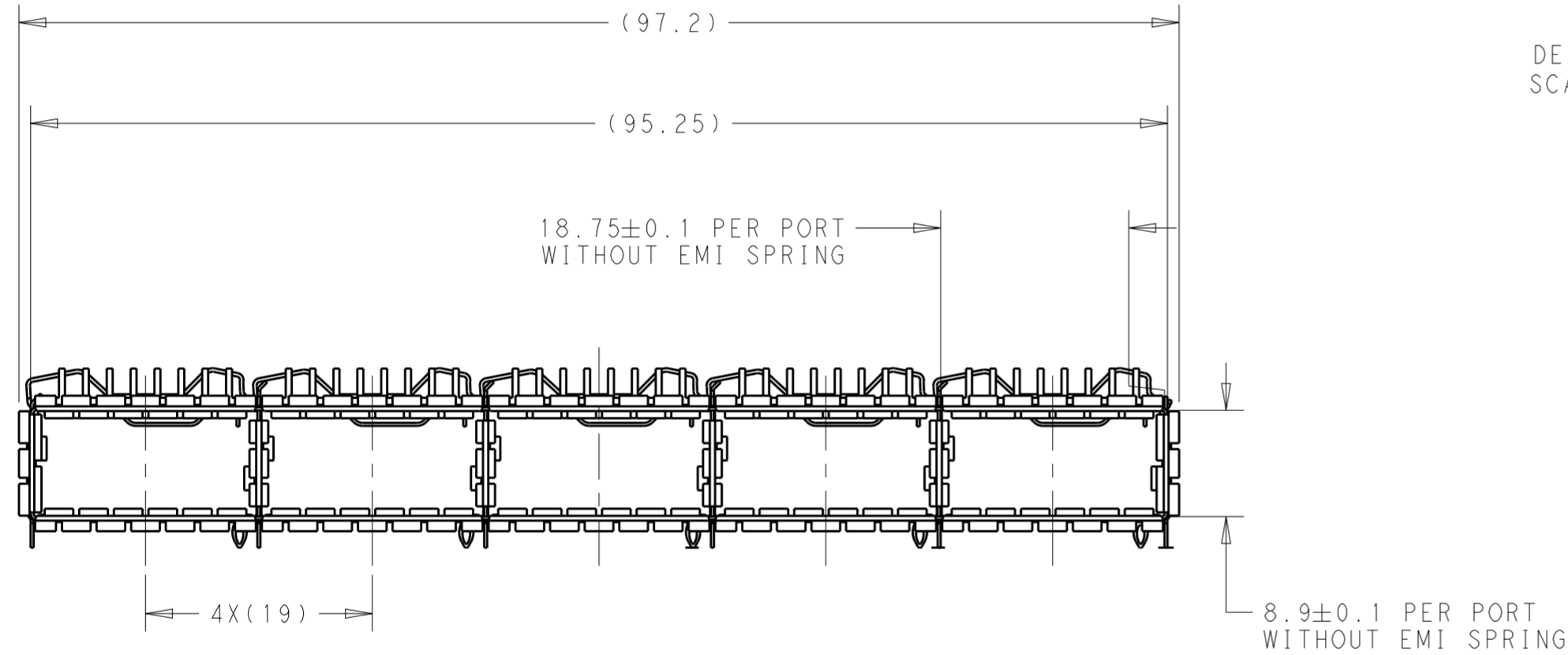


2343986-1 AS SHOWN



DETAIL A
SCALE 8:1

- 1 CAGE ASSEMBLY: STAINLESS STEEL.
HEAT SINK: ALUMINUM/BLACK ANODIZE.
HEAT SINK CLIP: STAINLESS STEEL.
EMI SPRING: COPPER ALLOY/NICKEL PLATE.
- 2 REFERENCE APPLICATION SPECIFICATION 114-60025 FOR RECOMMENDED DRILL HOLE DIAMETER AND PLATING THICKNESS. BOARD LAYOUT PER THIS PRINT.
- 3 DATUM AND BASIC DIMENSION ESTABLISHED BY CUSTOMER.
- 4 DATE CODE (YYWW) MARKED APPROXIMATELY AS SHOWN.
- 5. MATES WITH QSFP DD MSA COMPATIBLE TRANSCEIVER.
- 6. MINIMUM PC BOARD THICKNESS: SINGLE SIDED: 1.45 MIN
DOUBLE SIDED: 2.20 MIN
- 7 ONLY FOR VERSION WITH REAR EONS
- 8 PROPOSAL ONLY



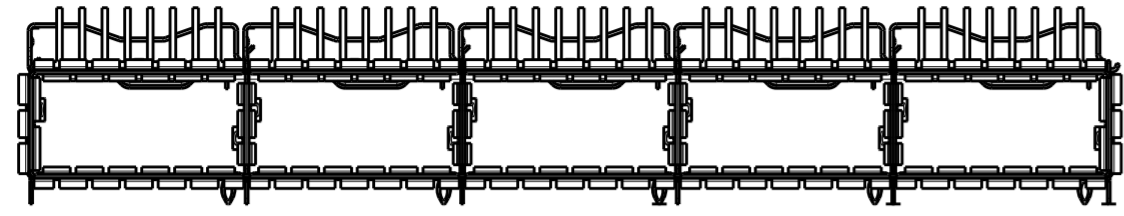
SCALE 2:1

W/REAR EONS&STANDOFF	23	NET	2-2343986-3
W/REAR EONS&STANDOFF	16	SAN	2-2343986-2
W/REAR EONS&STANDOFF	13.7	PCI	2-2343986-1
W/O REAR EONS	23	NET	1-2343986-3
W/O REAR EONS	16	SAN	1-2343986-2
W/O REAR EONS	13.7	PCI	1-2343986-1
W/ REA EONS	18.5	CUSTOMERIZED	2334986-4
W/ REAR EONS	23	NET	2334986-3
W/ REAR EONS	16	SAN	2343986-2
W/ REAR EONS	13.7	PCI	2343986-1
REMARK	DIM A	HEATSINK	PART NUMBER

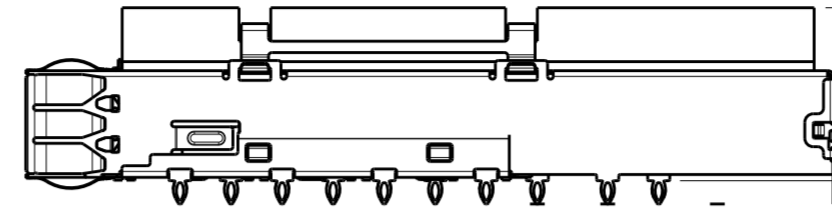
THIS DRAWING IS A CONTROLLED DOCUMENT.		DWN J. WANG 13SEP2018	TE Connectivity			
DIMENSIONS: mm		CHK S. HAN 13SEP2018				
TOLERANCES UNLESS OTHERWISE SPECIFIED:		APVD S. HAN 13SEP2018				
0 PLC ±0.25 1 PLC ±0.25 2 PLC ±0.25 3 PLC ± 4 PLC ± ANGLES ± FINISH ±		NAME CAGE ASSEMBLY WITH HEATSINK THRU BEZEL, 1X5, QSFPDD PRODUCT SPEC - APPLICATION SPEC - WEIGHT -				
MATERIAL	1	CUSTOMER DRAWING	SIZE A2	CAGE CODE -	DRAWING NO. C-2346986	RESTRICTED TO -
			SCALE 2:1	SHEET 1 OF 6	REV A	

THIS DRAWING IS UNPUBLISHED. RELEASED FOR PUBLICATION 20
 © COPYRIGHT 20 BY - ALL RIGHTS RESERVED.

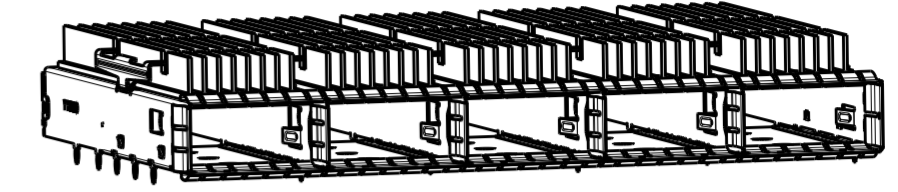
REVISIONS					
P	LTR	DESCRIPTION	DATE	DWN	APVD
-		SEE SHEET 1			



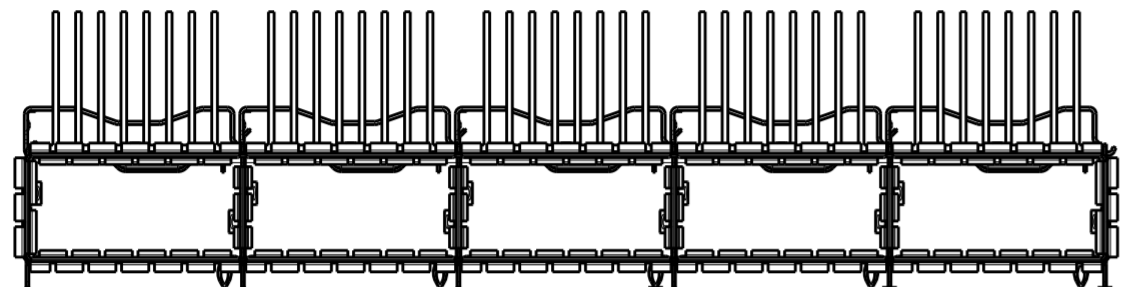
2343986-2
 UNMARKED DIMENSIONS SAME AS 2343986-1
 SCALE 3:2



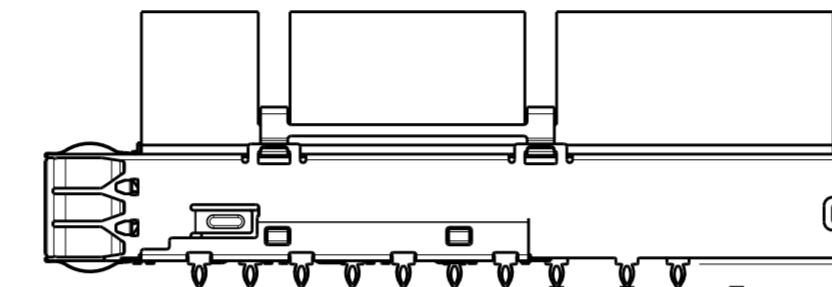
DIM A MAX
 AFTER MODULE
 INSERTION



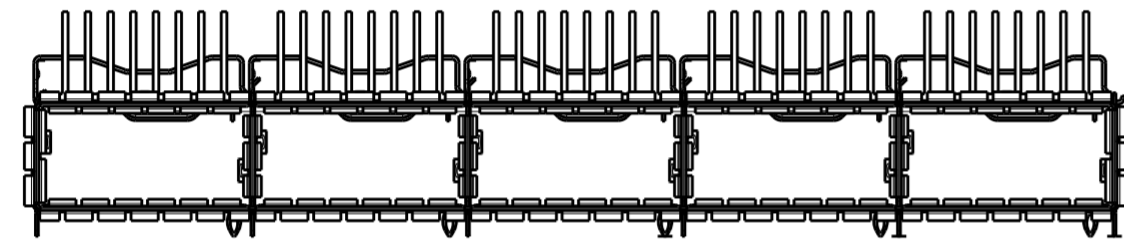
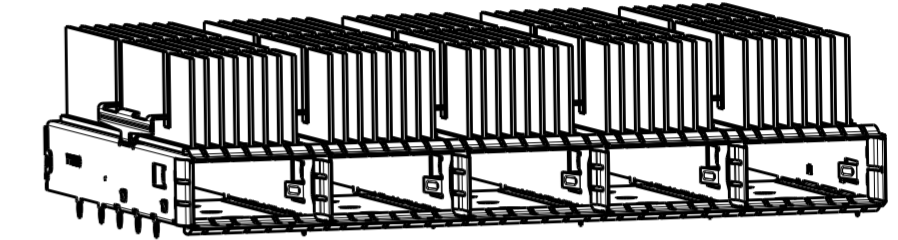
SCALE 1:1



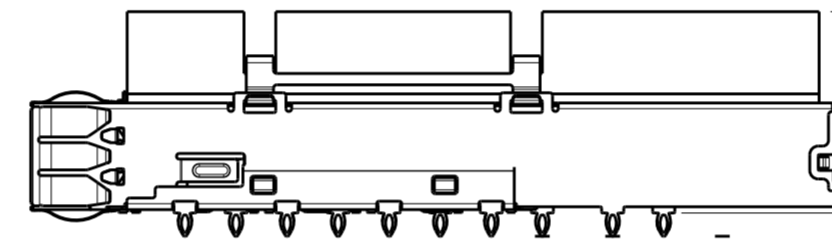
2343986-3
 UNMARKED DIMENSIONS SAME AS 2343986-1
 SCALE 3:2



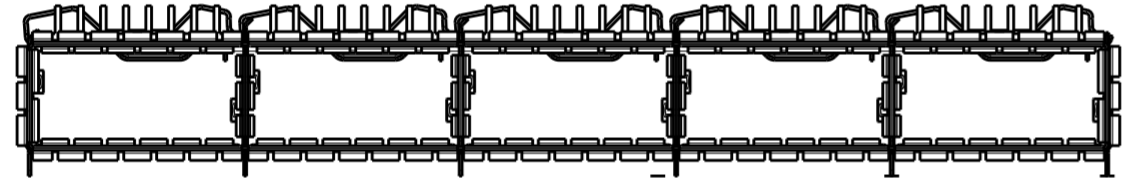
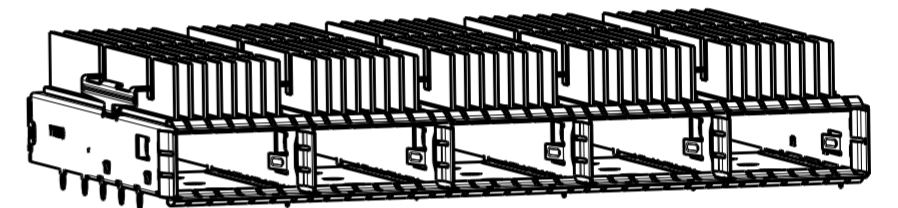
DIM A MAX
 AFTER MODULE
 INSERTION



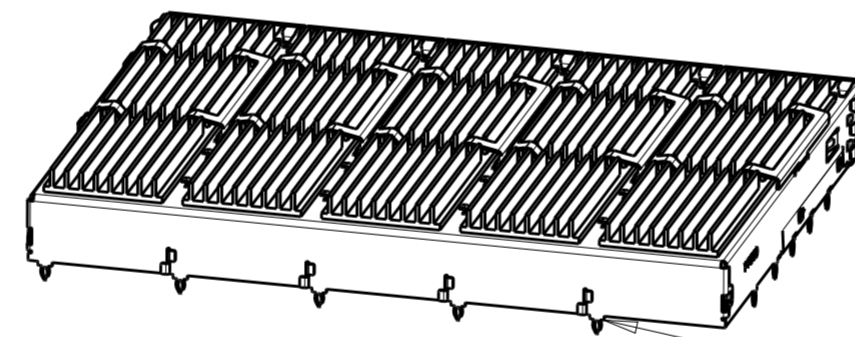
2343986-4
 UNMARKED DIMENSIONS SAME AS 2343986-1
 SCALE 3:2



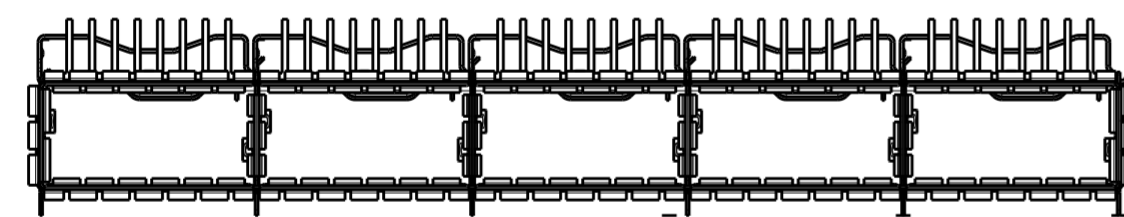
DIM A MAX
 AFTER MODULE
 INSERTION



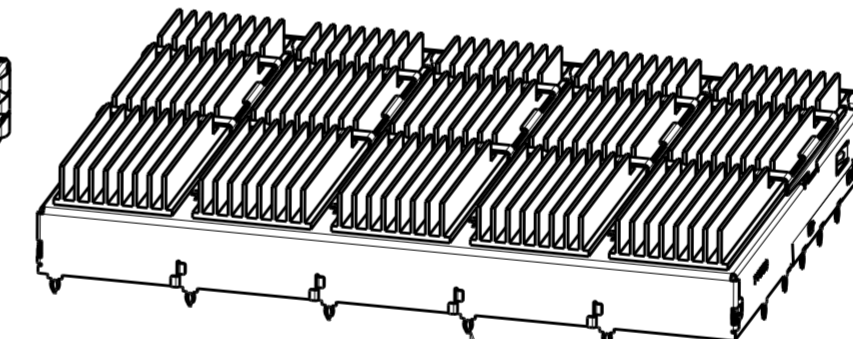
1-2343986-1 W/O REAR EONS
 DIMENSIONS SAME AS 2343986-1
 SCALE 3:2



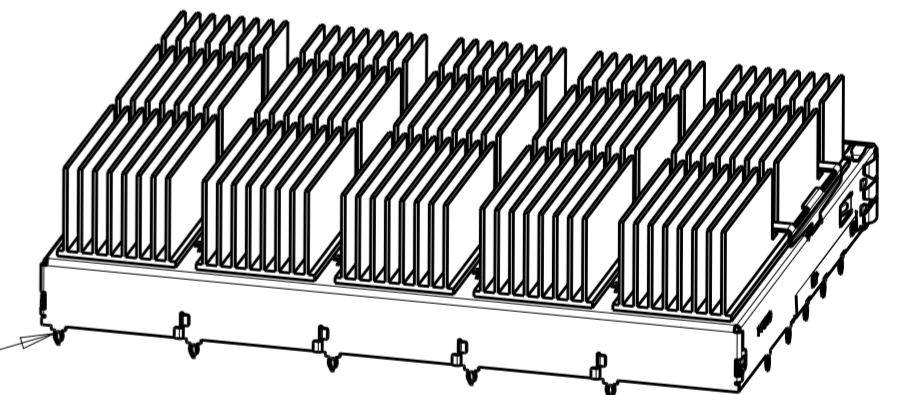
2-2343986-1
 DIMENSIONS SAME AS 2343986-1
 SCALE 1:1



1-2343986-2 W/O REAR EONS
 DIMENSIONS SAME AS 2343986-2
 SCALE 3:2

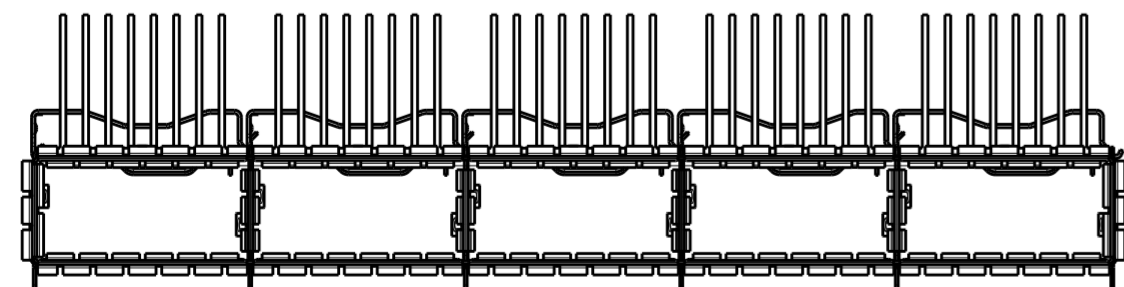


2-2343986-2
 DIMENSIONS SAME AS 2343986-2
 SCALE 1:1



2-2343986-3
 DIMENSIONS SAME AS 2343986-3
 SCALE 1:1

REAR EONS WITH STANDOFF

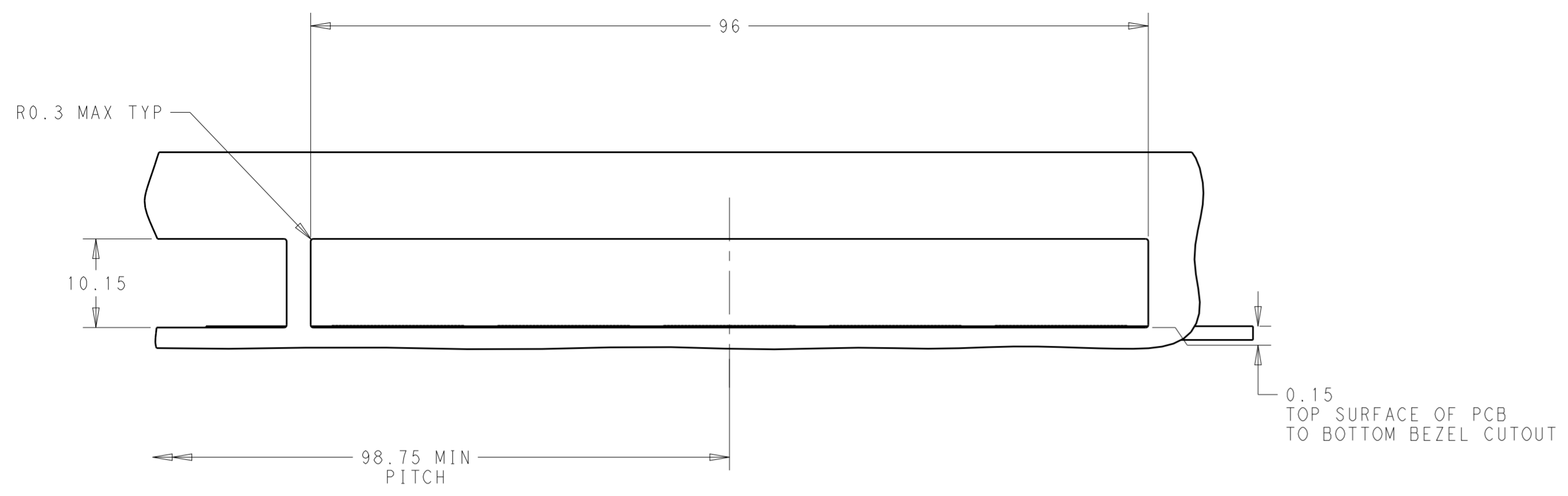


1-2343986-3 W/O REAR EONS
 DIMENSIONS SAME AS 2343986-3
 SCALE 3:2

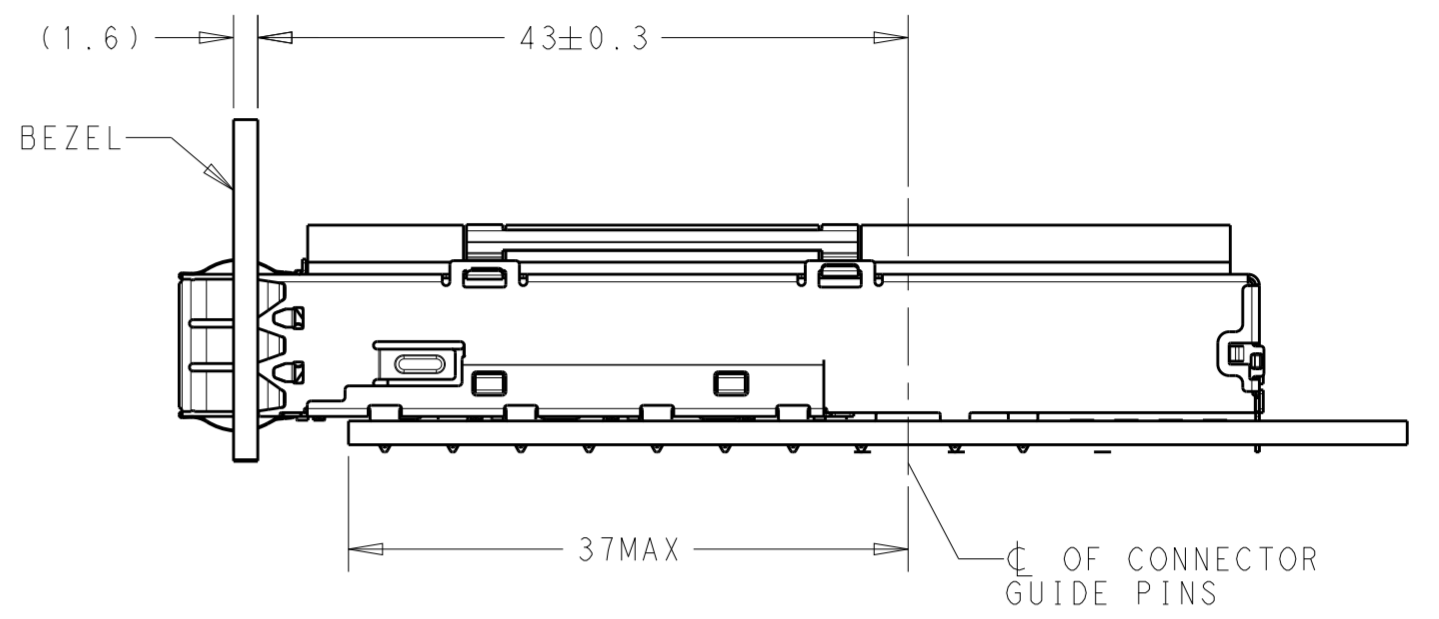
THIS DRAWING IS A CONTROLLED DOCUMENT.		DWN J. WANG 13SEP2018	TE Connectivity NAME CAGE ASSEMBLY WITH HEATSINK THRU BEZEL, 1X5, OSFPDD			
DIMENSIONS:		CHK S. HAN 13SEP2018				
mm		APVD S. HAN 13SEP2018				
		PRODUCT SPEC -				
TOLERANCES UNLESS OTHERWISE SPECIFIED:		APPLICATION SPEC -	SIZE A2	CAGE CODE -	DRAWING NO G-2346986	RESTRICTED TO -
MATERIAL -		WEIGHT -	SCALE 2:1		SHEET 2 OF 6	REV A
0 PLC ±0.25 1 PLC ±0.25 2 PLC ±0.25 3 PLC ± 4 PLC ± ANGLES ± FINISH ±		CUSTOMER DRAWING				

THIS DRAWING IS UNPUBLISHED. RELEASED FOR PUBLICATION 20
 © COPYRIGHT 20 BY - ALL RIGHTS RESERVED.

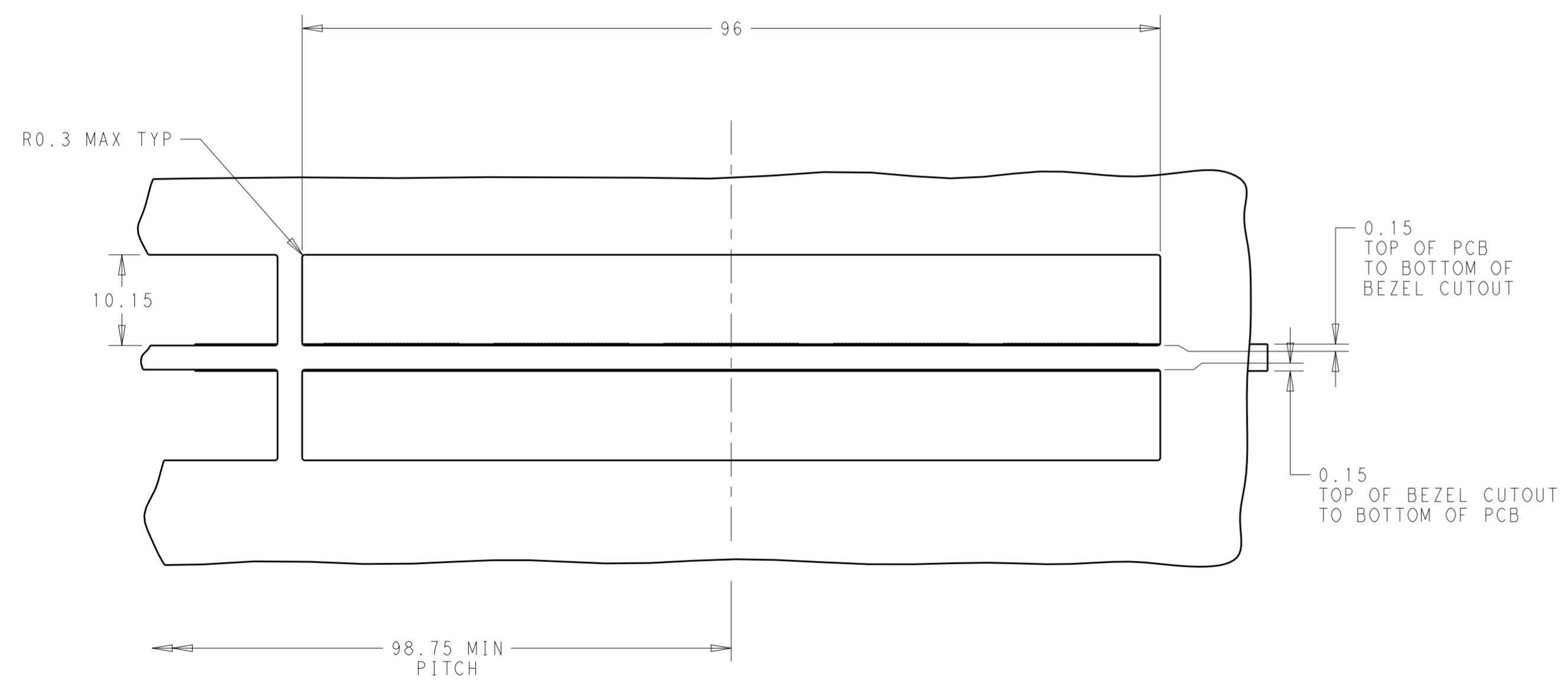
REVISIONS					
P	LTR	DESCRIPTION	DATE	DWN	APVD
-	-	SEE SHEET 1	-	-	-



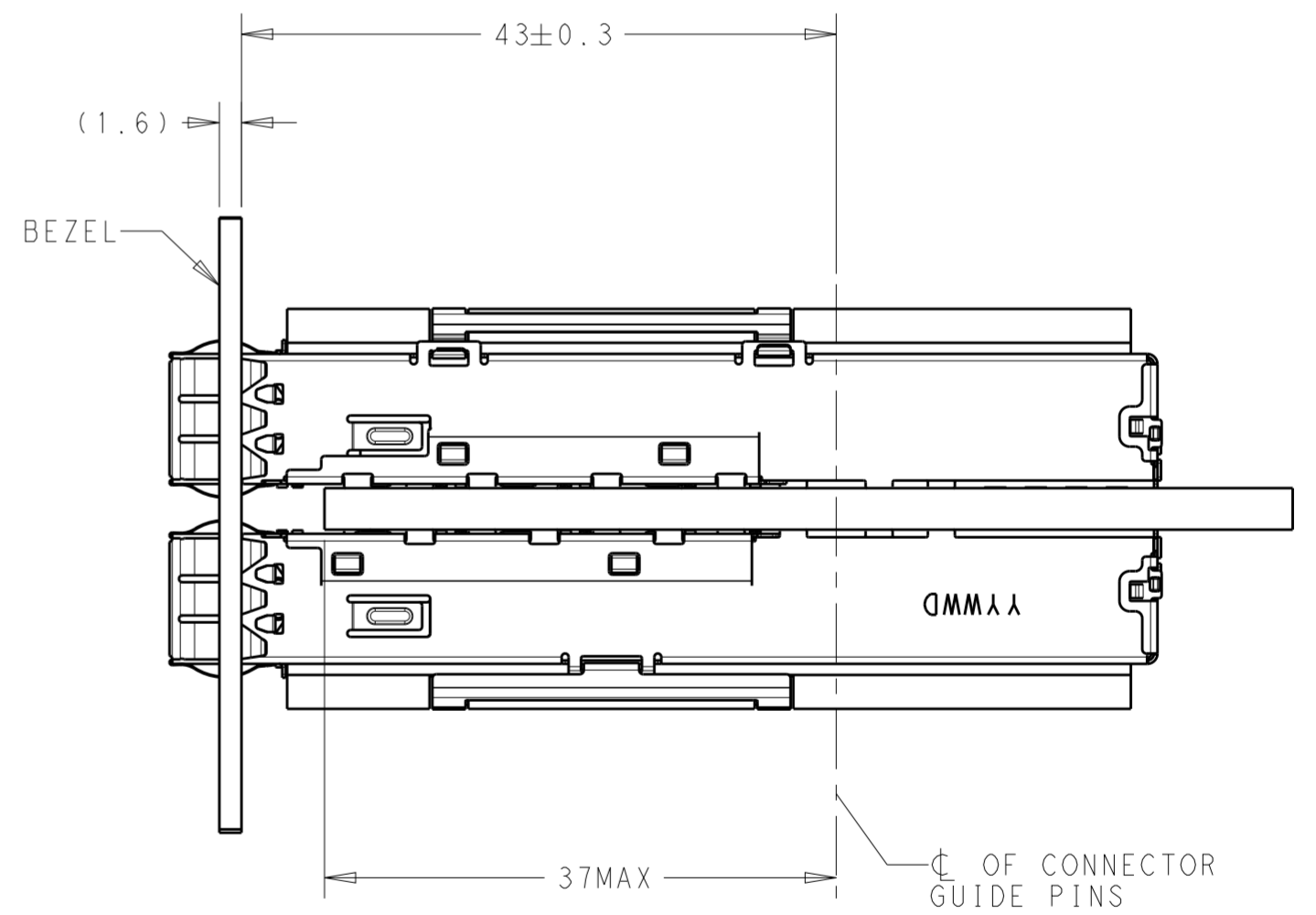
CAGE ASSEMBLY OMITTED FOR CLARITY




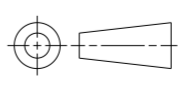
SINGLE SIDE MOUNTING



CAGE ASSEMBLY OMITTED FOR CLARITY

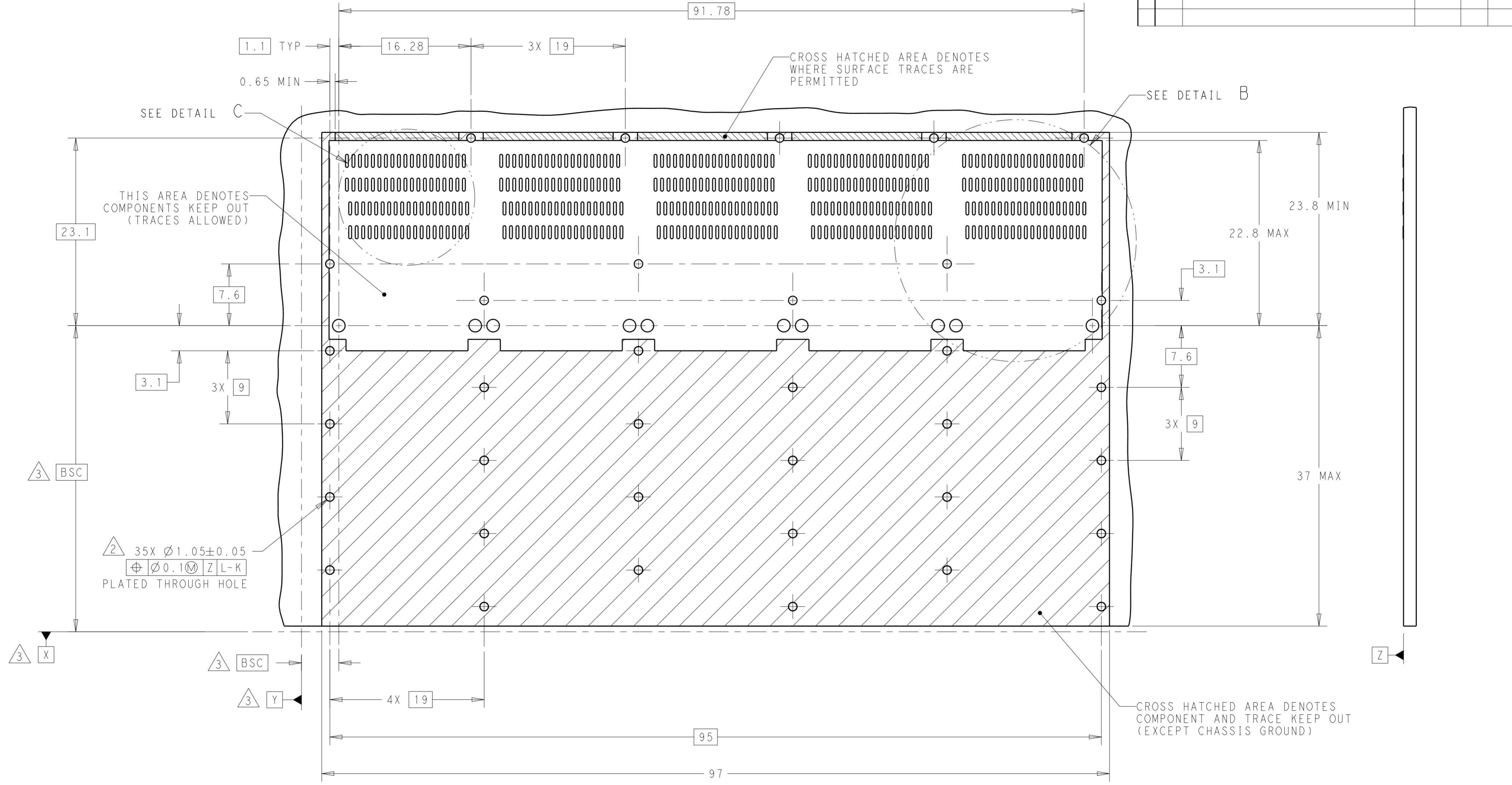


BELLY TO BELLY MOUNTING


THIS DRAWING IS A CONTROLLED DOCUMENT.		DWN J. WANG 13SEP2018	 TE Connectivity
DIMENSIONS:		CHK S. HAN 13SEP2018	
TOLERANCES UNLESS OTHERWISE SPECIFIED:		APVD S. HAN 13SEP2018	
mm		PRODUCT SPEC	
		APPLICATION SPEC	NAME CAGE ASSEMBLY WITH HEATSINK THRU BEZEL, 1X5, QSPFDD
MATERIAL		WEIGHT	SIZE A2
-		CUSTOMER DRAWING	CAGE CODE -
-		SCALE 2:1	DRAWING NO. C-2346986
-		SHEET 3 OF 6	RESTRICTED TO -
-		REV A	

THIS DRAWING IS UNPUBLISHED. RELEASED FOR PUBLICATION 20
 © COPYRIGHT 20 BY - ALL RIGHTS RESERVED.

REVISIONS					
P	LTR	DESCRIPTION	DATE	DWN	APVD
-	-	SEE SHEET 1	-	-	-

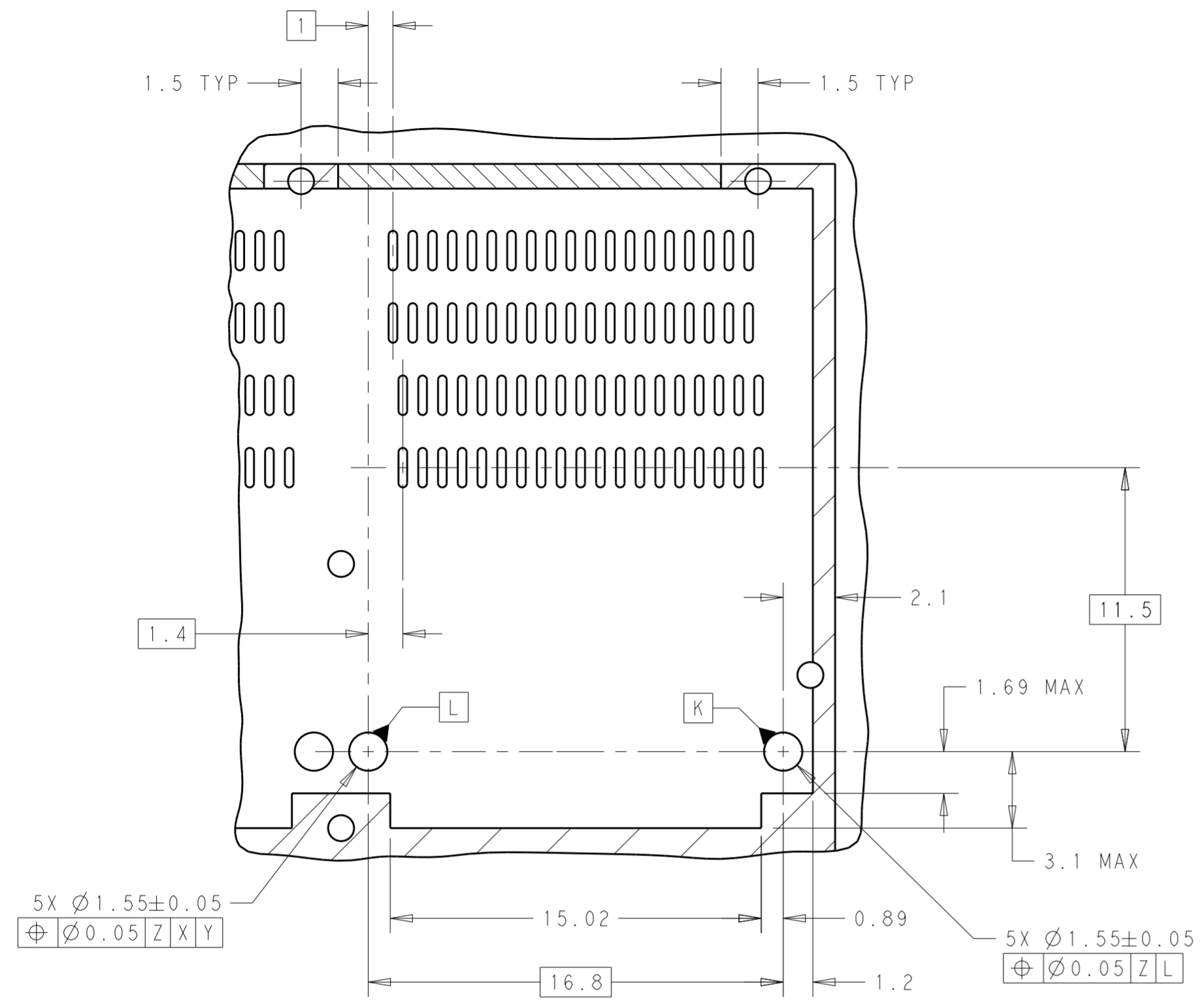


RECOMMENDED PCB LAYOUT
 SINGLE TYPE
 SCALE 3:1

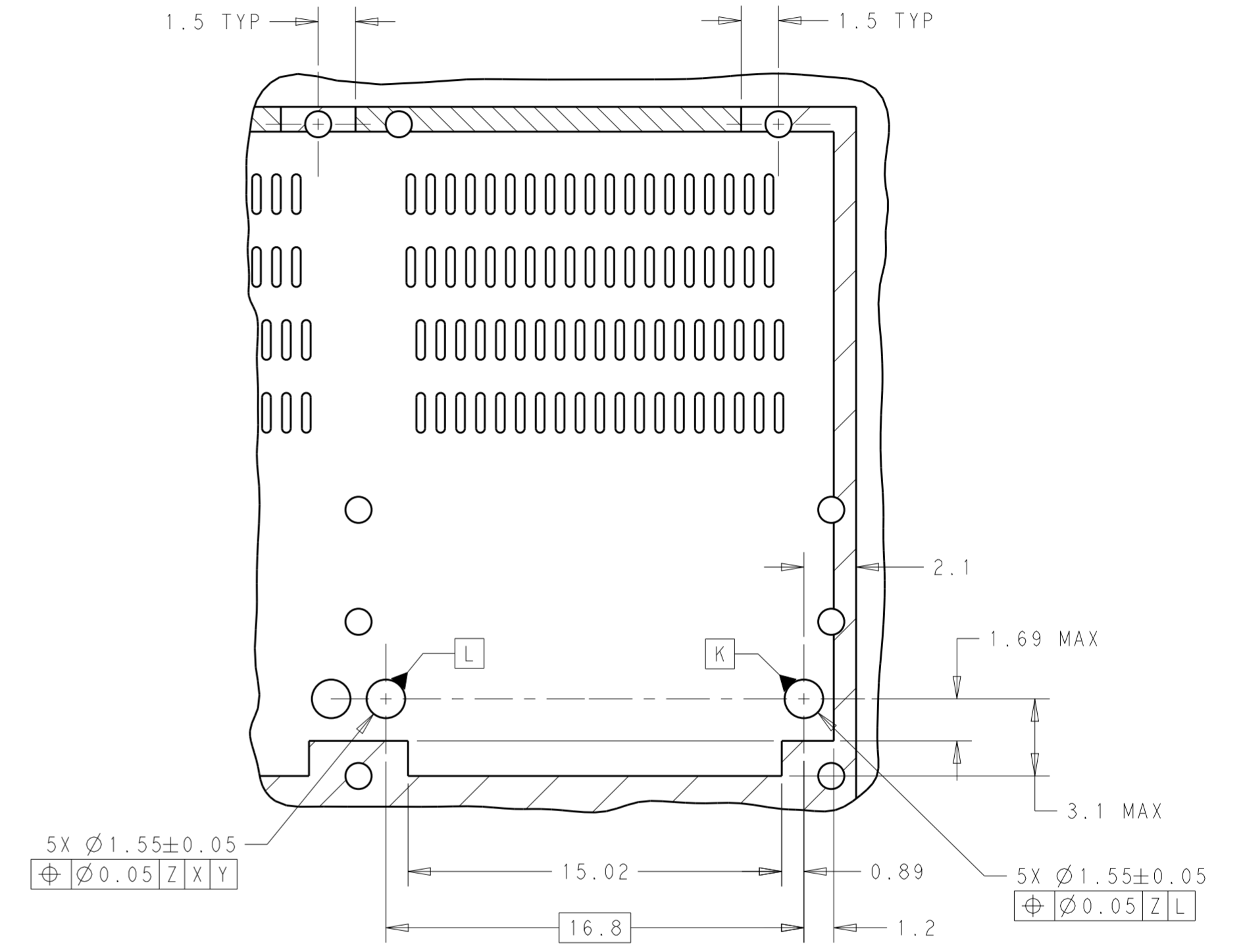
THIS DRAWING IS A CONTROLLED DOCUMENT.		DWN J. WANG 13SEP2018	 TE Connectivity	
DIMENSIONS: mm		CHK S. HAN 13SEP2018		
TOLERANCES UNLESS OTHERWISE SPECIFIED:		APVD S. HAN 13SEP2018	NAME CAGE ASSEMBLY WITH HEATSINK THRU BEZEL, 1X5, QSFDD	
0 PLC ±0.25 1 PLC ±0.25 2 PLC ±0.25 3 PLC ± 4 PLC ± ANGLES ± FINISH ±		PRODUCT SPEC -	RESTRICTED TO -	
MATERIAL -		APPLICATION SPEC -	SIZE A2	CAGE CODE -
		WEIGHT -	DRAWING NO C-2346986	SCALE 2:1
		CUSTOMER DRAWING	SHEET 4 OF 6	REV A

THIS DRAWING IS UNPUBLISHED. RELEASED FOR PUBLICATION 20
 © COPYRIGHT 20 BY - ALL RIGHTS RESERVED.

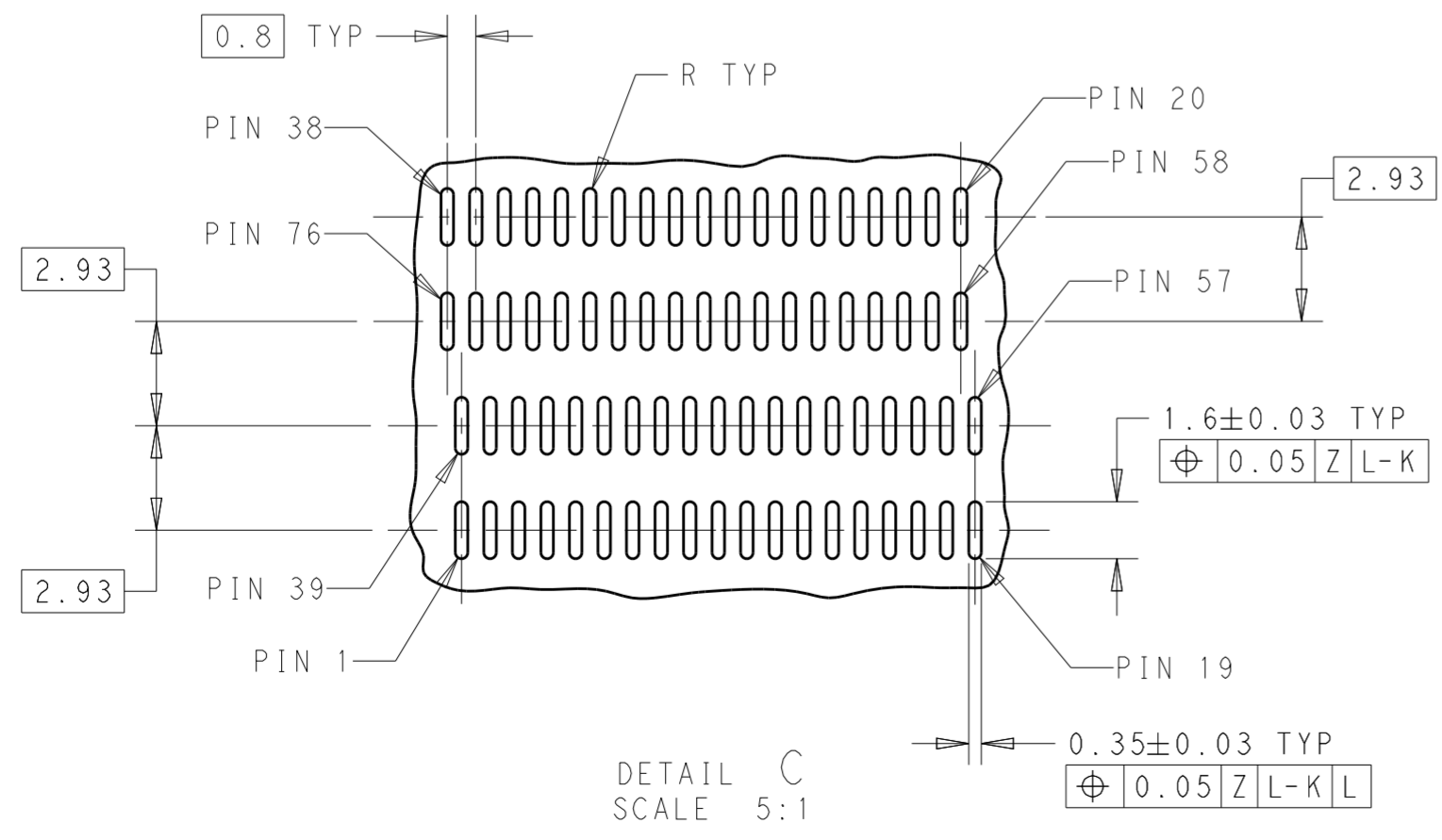
REVISIONS				
P	LTR	DESCRIPTION	DATE	APVD
-	-	SEE SHEET 1	-	-



DETAIL B
 SCALE 5:1



DETAIL D
 SCALE 5:1



DETAIL C
 SCALE 5:1

THIS DRAWING IS A CONTROLLED DOCUMENT.		DWN J. WANG 13SEP2018	 TE Connectivity	NAME CAGE ASSEMBLY WITH HEATSINK THRU BEZEL, 1X5, QSPFDD	
DIMENSIONS: mm		CHK S. HAN 13SEP2018		SIZE A2	
TOLERANCES UNLESS OTHERWISE SPECIFIED: 0 PLC ±0.25 1 PLC ±0.25 2 PLC ±0.25 3 PLC ± 4 PLC ± ANGLES ± FINISH -		APVD S. HAN 13SEP2018		CAGE CODE -	
MATERIAL -		PRODUCT SPEC -		DRAWING NO C-2346986	
		APPLICATION SPEC -	RESTRICTED TO -		
		WEIGHT -	SCALE 2:1 SHEET 6 OF 6 REV A		
		CUSTOMER DRAWING			