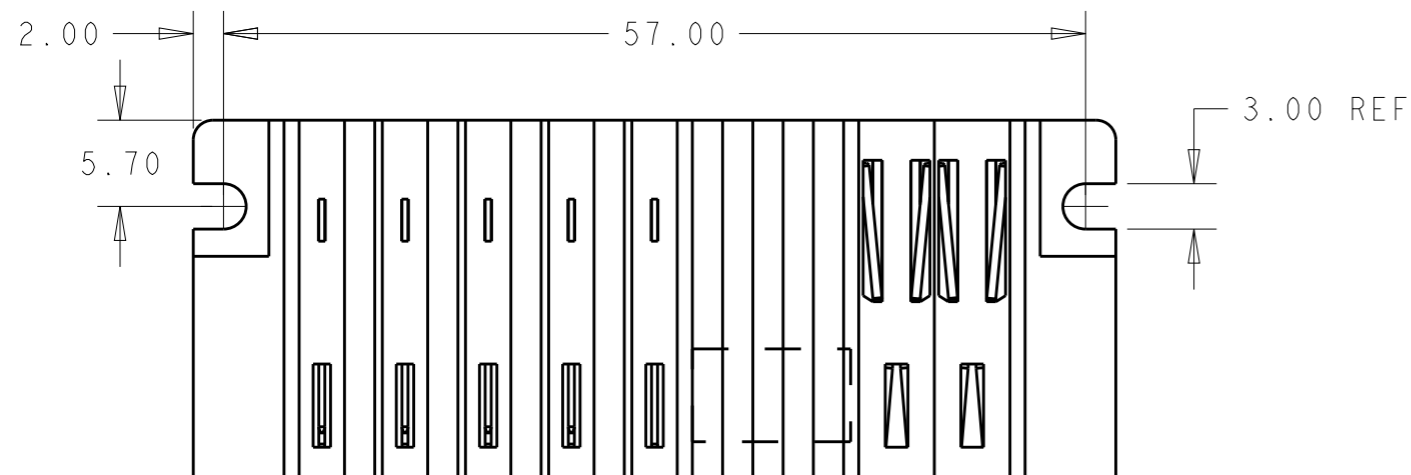


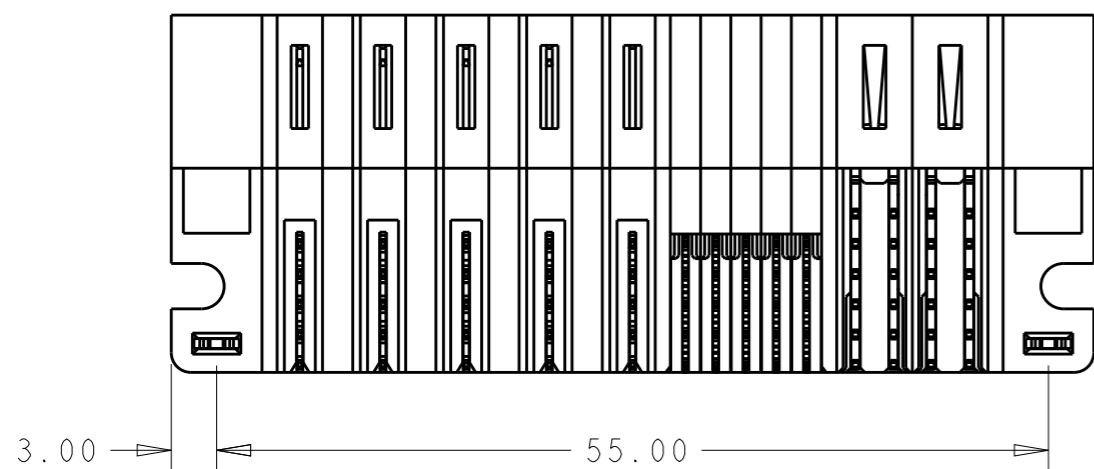
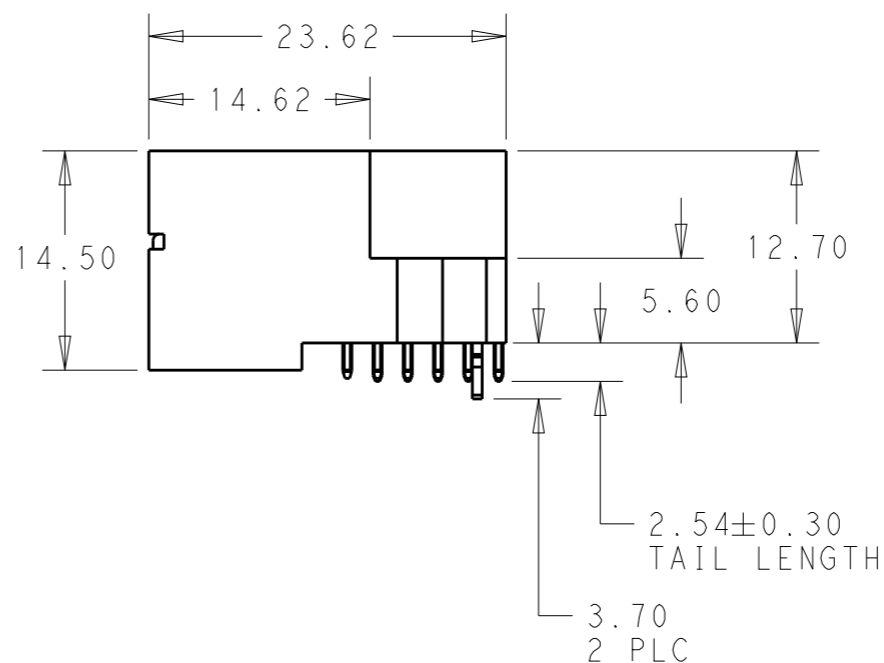
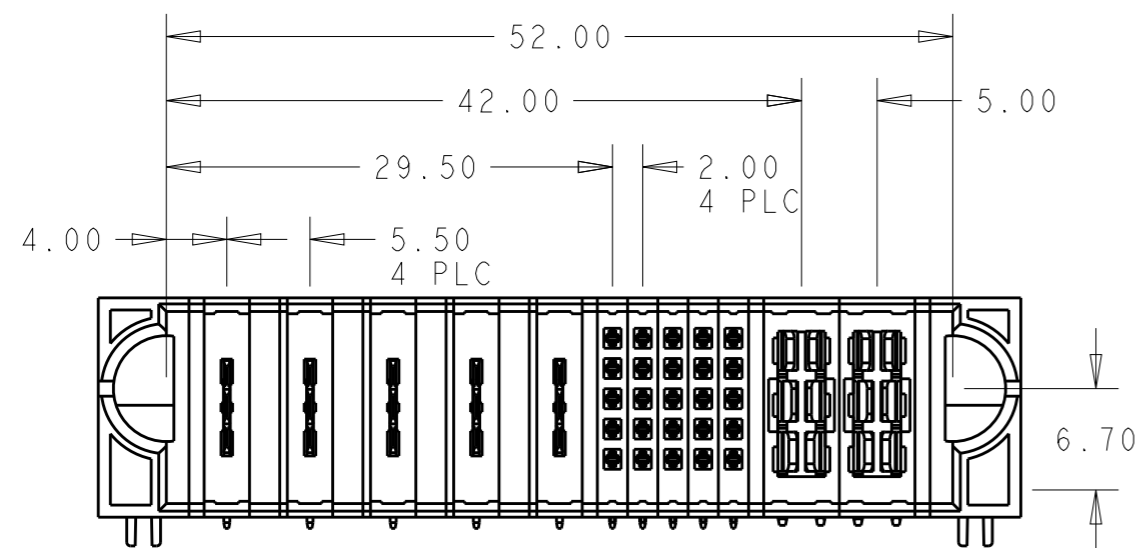
THIS DRAWING IS UNPUBLISHED. RELEASED FOR PUBLICATION 20
© COPYRIGHT 20 BY - ALL RIGHTS RESERVED.

REVISIONS

P	LTR	DESCRIPTION	DATE	DWN	APVD
1		PROPOSAL DESGIN	17JUN2019	WY	SZ
2		UPDATE PCB LAYOUT	16JUL2019	WY	SZ
3		CHANGE HD LENGTH TO 3.70MM	22JUL2019	WY	SZ



- 1 "TE", PART NUMBER, AND DATECODE TO BE MARKED IN AREA SHOWN. PARTS UNDER 2.00 LONG MAY BE MARKED ON BOTH SIDES.
- 2 MATERIAL:
HOUSING - GLASS FILLED HIGH TEMP THERMO PLASTIC, BLACK, UL94 V-O
SIGNAL CONTACT - COPPER ALLOY
POWER CONTACT - HIGH CONDUCTIVITY COPPER ALLOY
- 3 CONTACT PLATING: NOBLE METAL PLATING ON CONTACT FUNCTIONAL AREA OF POWER AND SIGNAL CONTACTS.
- 4 MECHANICAL CONNECTOR KEEP OUT ZONE.
- 5 DATUM AND BASIC DIMENSIONS ESTABLISHED BY CUSTOMER.
- 6 PCB - HOLE DIAMETERS ARE FINISHED HOLE SIZE.
- 7 PCB - .0453±.0010 DRILLED HOLES PLATED WITH .0003 MIN Sn OVER .001 TO .003 Cu PLATING TO ACHIEVE A .040 ±.003 HOLE.



5LP + 25S + 2P	1-2334530-2
DESCRIPTION	PART NUMBER

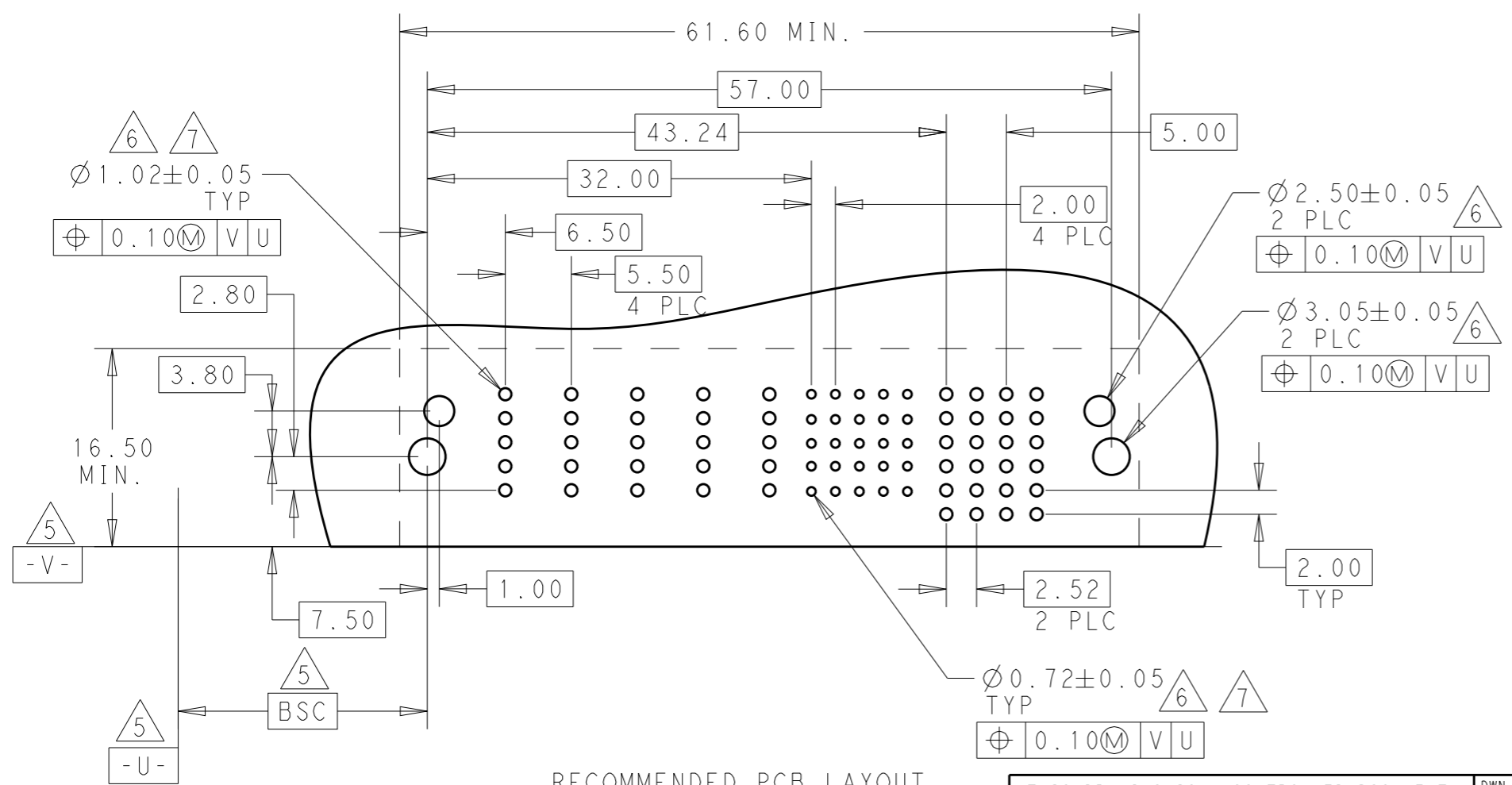
THIS DRAWING IS A CONTROLLED DOCUMENT.		DWN	17JUN2019	STE TE Connectivity	NAME RIGHT ANGLE HEADER, SOLDER MULTI-BEAM PLUS
DIMENSIONS: mm		CHK	17JUN2019		
TOLERANCES UNLESS OTHERWISE SPECIFIED:		APVD	17JUN2019		
0 PLC ±- 1 PLC ±- 2 PLC ±0.15 3 PLC ±0.05 4 PLC ±- ANGLES ±-		PRODUCT SPEC	-		
MATERIAL		FINISH	-	APPLICATION SPEC	-
- 2		- 3		WEIGHT	-
CUSTOMER DRAWING				SIZE	A3
				CAGE CODE	00779
				DRAWING NO	1-2334530-2
				RESTRICTED TO	-
				SCALE	1:1
				SHEET	1 OF 2
				REV	3

THIS DRAWING IS UNPUBLISHED. RELEASED FOR PUBLICATION 20
 © COPYRIGHT 20 BY - ALL RIGHTS RESERVED.

REVISIONS				
P	LTR	DESCRIPTION	DATE	APVD
		SEE SHEET 1		

PART NUMBER	ROWS	LOW POWER					SIGNLA					POWER	
		LP1	LP2	LP3	LP4	LP5	1	2	3	4	5	P1	P2
1-2334530-2	E	LM	LM	LM	LM	LMF	PL5	P5	P5	PL5	P5	TM	TN
	D						P4	P4	PL4	P4	PF4		
	C						P3	P3	P3	PF3	P3		
	B						P2	P2	P2	P2	P2		
	A						P1	P1	P1	P1	P1		


5LP+25S+2P



MLBF SOLDER TYPE SIGNAL CONTACT, ROW E	PL5
MFBL SOLDER TYPE SIGNAL CONTACT, ROW D	PF4
MLBF SOLDER TYPE SIGNAL CONTACT, ROW D	PL4
MFBL SOLDER TYPE SIGNAL CONTACT, ROW C	PF3
STD SOLDER TYPE SIGNAL CONTACT, ROW E	P5
STD SOLDER TYPE SIGNAL CONTACT, ROW D	P4
STD SOLDER TYPE SIGNAL CONTACT, ROW C	P3
STD SOLDER TYPE SIGNAL CONTACT, ROW B	P2
STD SOLDER TYPE SIGNAL CONTACT, ROW A	P1
STD LOWER POWER CONTACT	LM
STD SOLDER POWER CONTACT, RIGHT	TN
STD SOLDER POWER CONTACT, LEFT	TM
HOUSING	HOUSING
HOLD DOWN, MULTI-BEAM	HD
DESCRIPTION	IDENTIFIER

RECOMMENDED PCB LAYOUT

THIS DRAWING IS A CONTROLLED DOCUMENT.	
DIMENSIONS: mm	TOLERANCES UNLESS OTHERWISE SPECIFIED: 0 PLC ±- 1 PLC ±- 2 PLC ±0.15 3 PLC ±0.05 4 PLC ±- ANGLES ±- FINISH
MATERIAL - 2	FINISH - 3

DWN WY	17JUN2019	 TE Connectivity
CHK WY	17JUN2019	
APVD S7	17JUN2019	
PRODUCT SPEC		NAME RIGHT ANGLE HEADER, SOLDER MULTI-BEAM PLUS
APPLICATION SPEC		SIZE A3
WEIGHT		CAGE CODE 00779
CUSTOMER DRAWING		DRAWING NO 1-2334530-2
SCALE 1:1		RESTRICTED TO -
SHEET 2 OF 2		REV 3