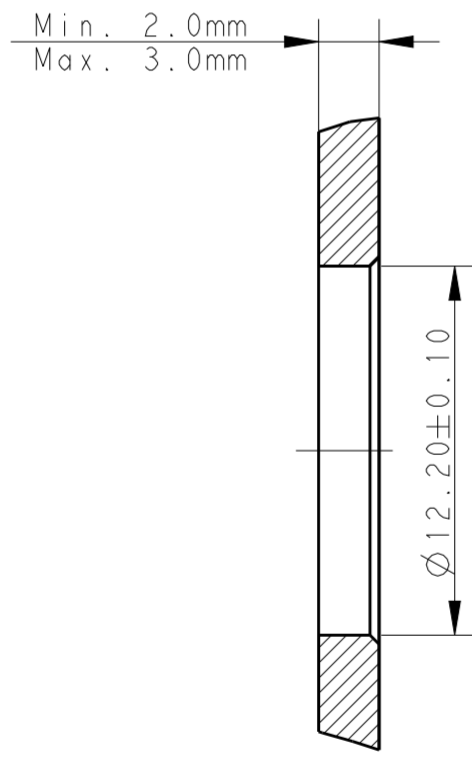
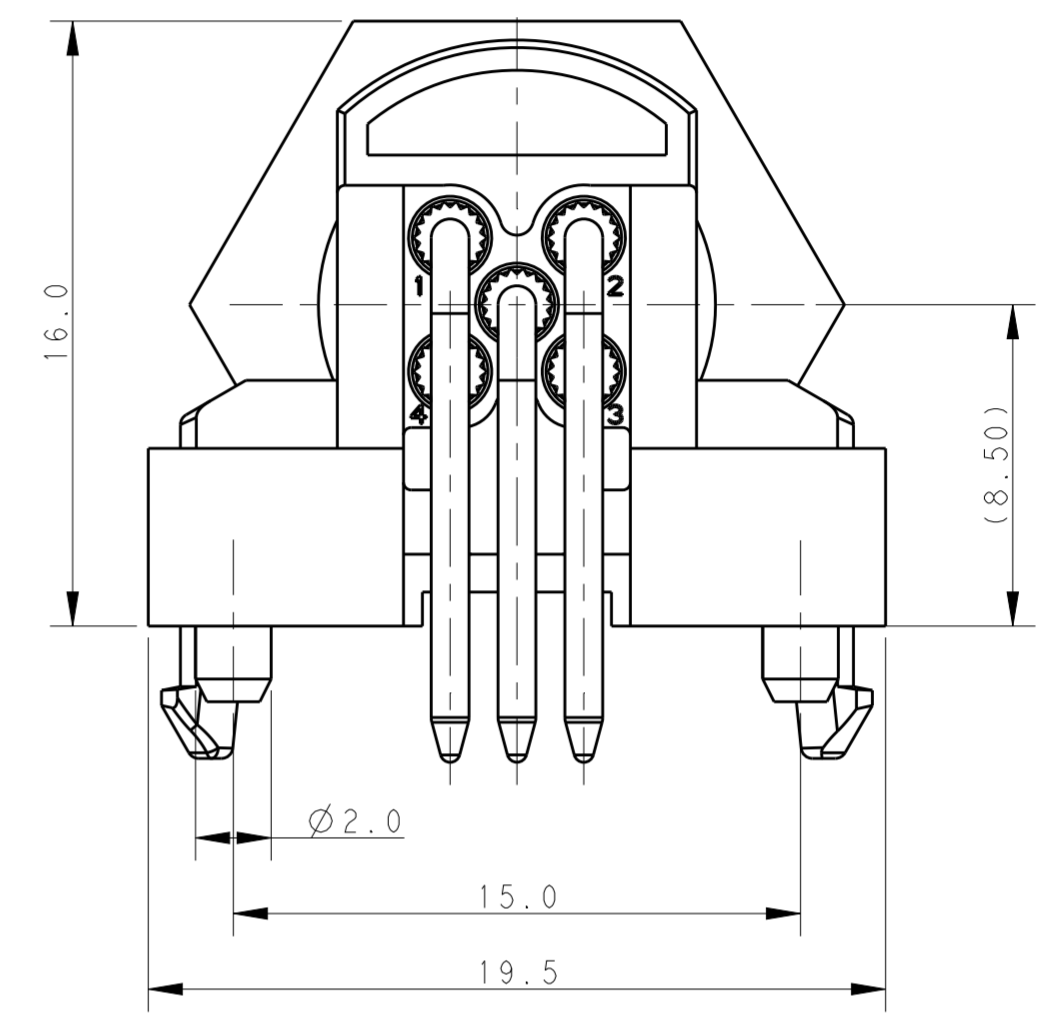
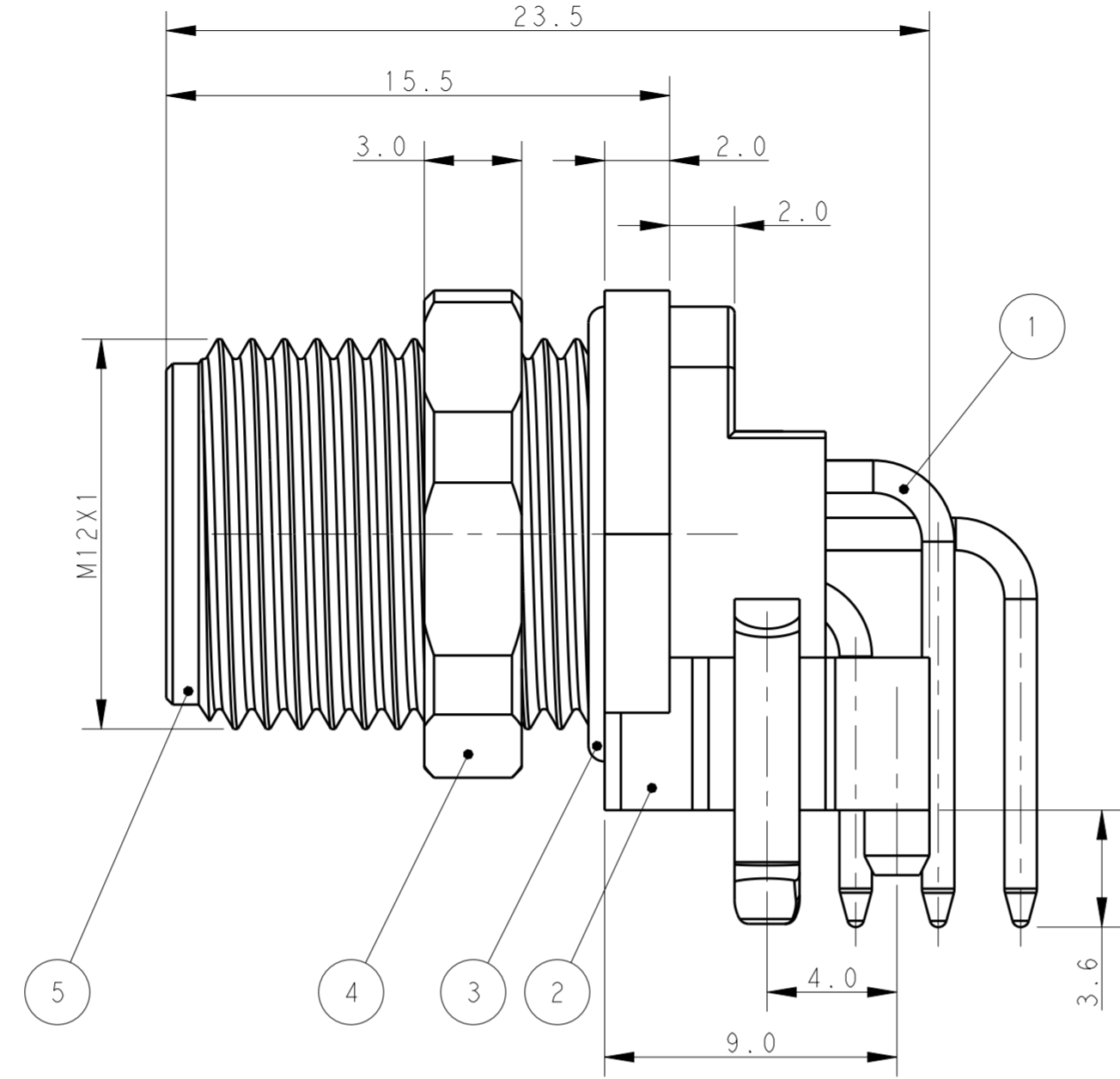
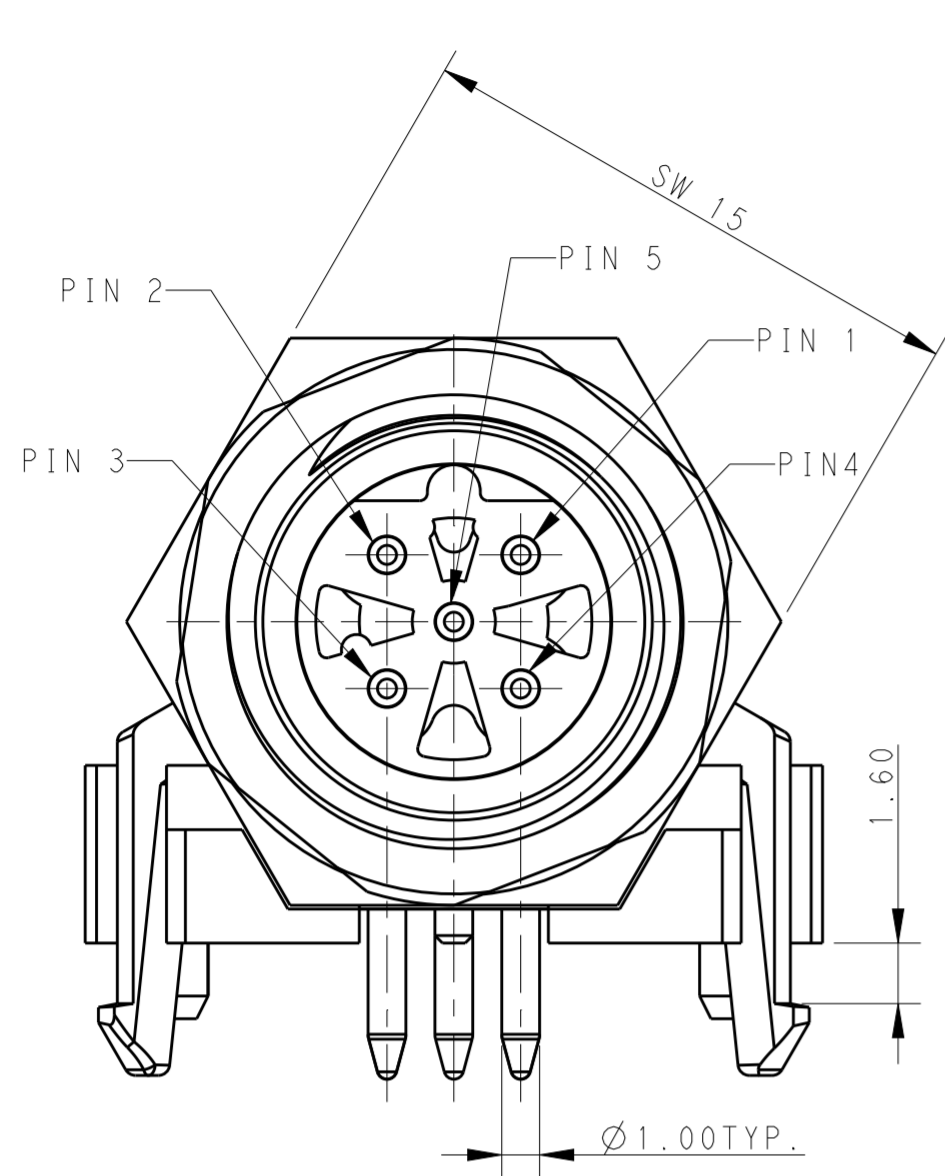
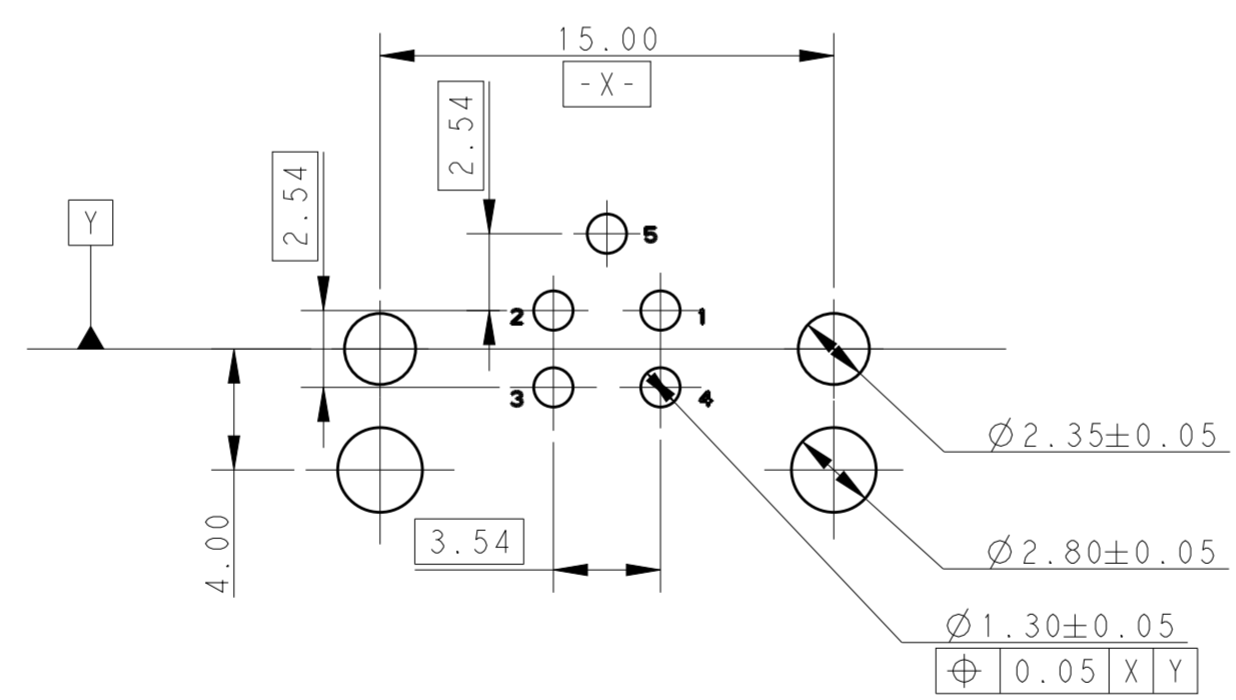


THIS DRAWING IS UNPUBLISHED. RELEASED FOR PUBLICATION 20
 © COPYRIGHT 20 BY - ALL RIGHTS RESERVED.

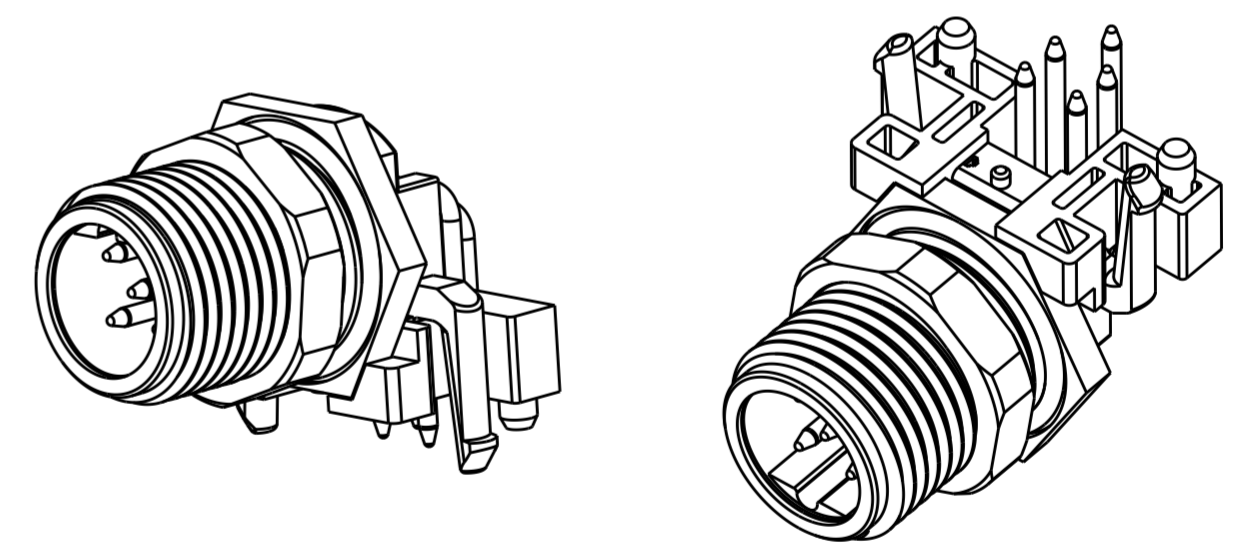
REVISIONS					
P	LTR	DESCRIPTION	DATE	DWN	APVD
A		INITIAL RELEASE	05JUL2016	N.P	X.X
A1		ECR-19-006232	18APR2019	B.P	C.W



RECOMMENDED PANEL SIZE



RECOMMEND PCB LAYOUT
 PCB THICKNESS: 1.6mm



COMMENTS	MATERIAL	DESCRIPTION	ITEM
-	COPPER ALLOY	NUT	5
-	COPPER ALLOY	COUPLING NUT	4
	RUBBER	O-RING	3
BALCK COLOR	PA66	HOUSING	2
GOLD FLASH	COPPER ALLOY	CONTACT	1

TABLE 1

TECHNICAL DATA	T4144415051-000
RATED VOLTAGE	60V
RATED CURRENT	4A
POLLUTION DEGREE	3
OVERVOLTAGE CATEGORY	II
MATERIAL GROUP	II
DEGREE OF PROTECTION	IP67
OPERATION TEMPERATURE	-40~85°C

- NOTES:
1. TECHNICAL DATA: SEE TABLE 1
 2. RECOMMENDED PANEL CUTOUT AND PCB LAYOUT SEE DETAIL .
 3. ALL DIMENSIONS ARE FOR NOMINAL REFERENCE ONLY UNLESS OTHERWISE STATED
- 注意事项
1. 技术参数：见表1；
 2. 推荐面板及PCB开孔尺寸如图所示；
 3. 所有尺寸仅供参考，除另外说明。

DIMENSIONS:		TOLERANCES UNLESS OTHERWISE SPECIFIED:	
mm			
	0 PLC	±	
	1 PLC	±0.25	
	2 PLC	±0.15	
	3 PLC	±	
	4 PLC	±	
	ANGLES	±	
	FINISH	-	

MATERIAL: TBD material_2

TYPE	POS.	PART NUMBER
RPC-M12B-MR-5CON-M12-LPU	5	T4144415051-000

STE TE Connectivity

NAME: M12 RIGHT ANGLE PCB ASSEMBLY CONNECTOR, UNSHIELDED, B-CODE

SIZE: A2 CAGE CODE: - DRAWING NO: T41444150X1000 RESTRICTED TO: -

SCALE: 2:1 SHEET: 1 OF 1 REV: A1