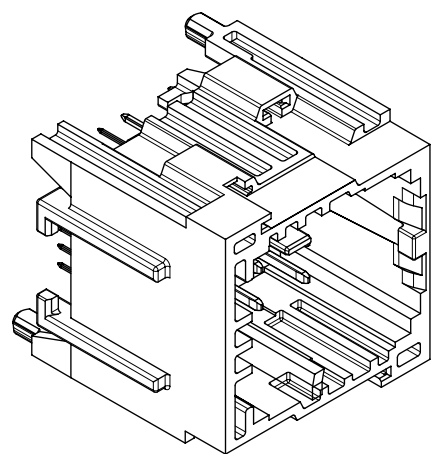


SEE NOTE 3g

KEY 1
PART NO. 2005010271

PART NUMBER	KEY	COLOR	TERMINAL QUANTITIES	
			0.5mm	1.2mm
2005010271	1	BLACK	19	8
2005010272	2	GREEN		
2005010273	3	BLUE		
2005010274	4	PURPLE		

FOUR (4) KEYS AVAILABLE
SEE INTERFACE DRAWING
SD-160029-002 FOR DEFINITION

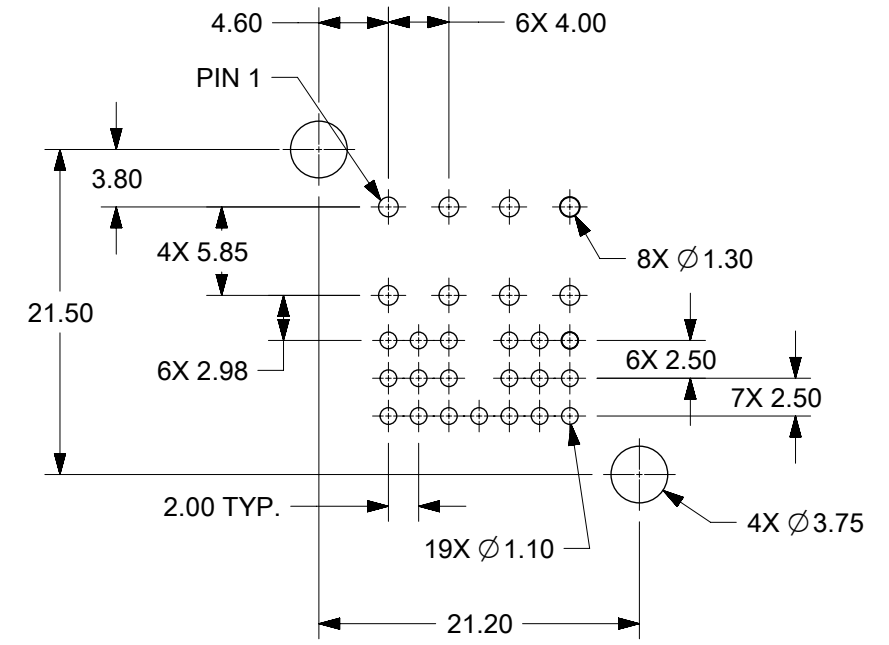
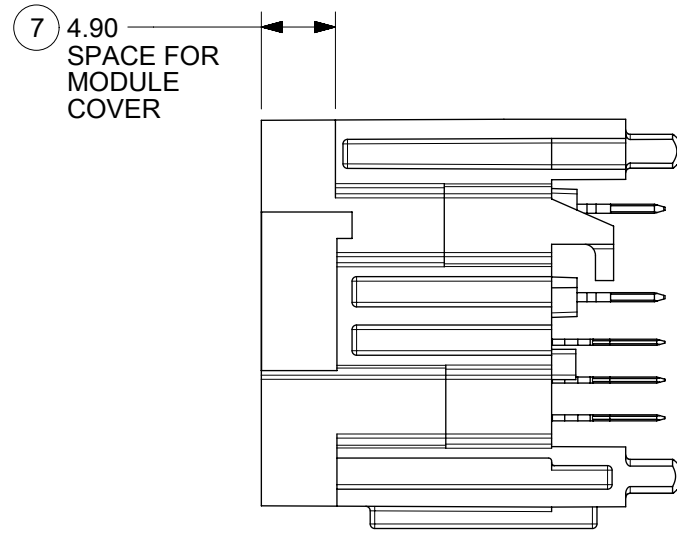
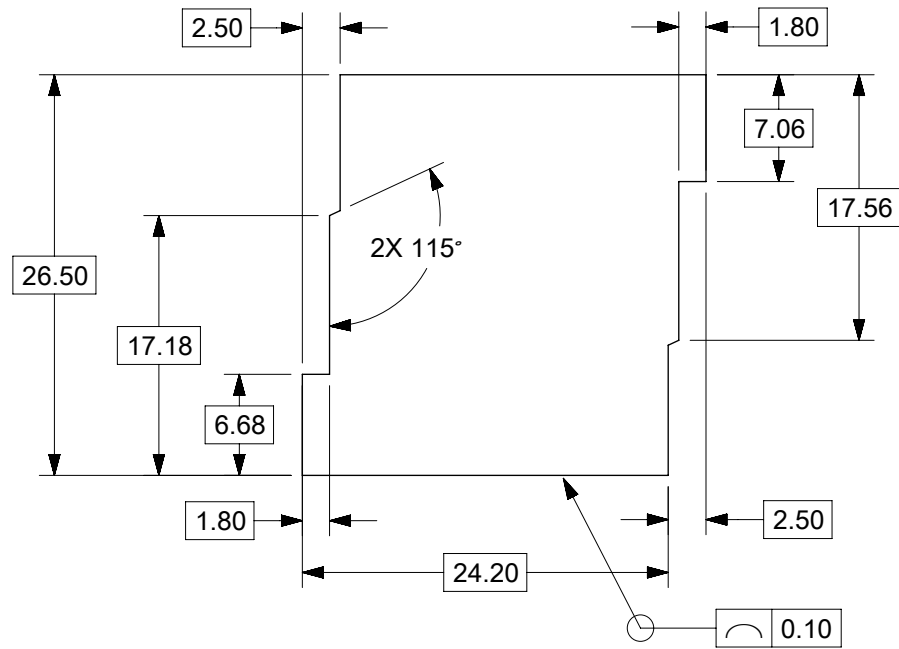


NOTES: VALID UNLESS OTHERWISE SPECIFIED

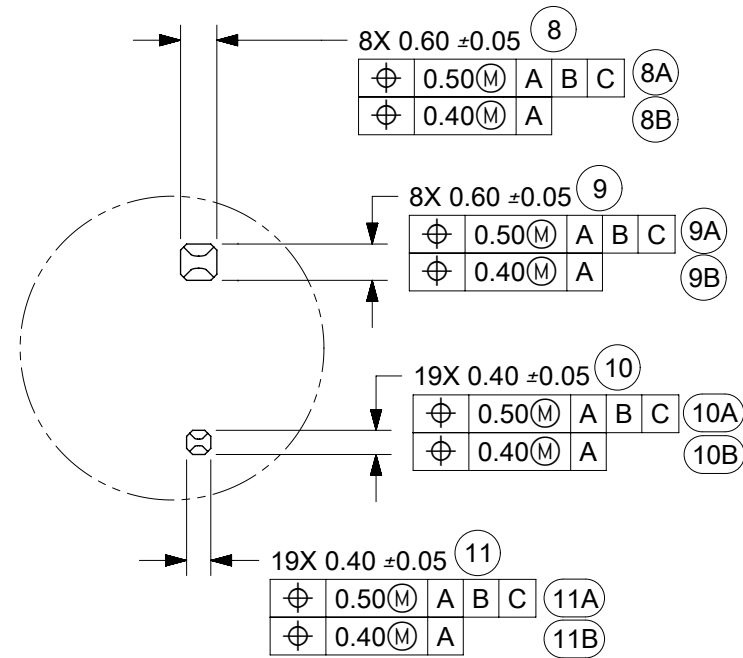
1. GENERAL:
 - a. APPLICATION SPECIFICATION 2005060000-AS
 - b. PRODUCT SPECIFICATION 2005060001-PS
CLASSIFICATIONS T1V1S1 TO GMW 3191 2012
DEGREE OF PROTECTION IP40 TO ISO 20653 WITH MOLEX MATING CONNECTOR
 - c. PACKAGING SPECIFICATION PER MOLEX DRAWING
2. DESIGN - MATERIALS:
 - a. HOUSING: SPS 30% GF
 - b. BLADE TERMINALS:
 1. 0.5MM BLADES
BASE MATERIAL: COPPER ALLOY
CONDUCTIVITY ≥ 28% IACS @ 20°C
UNDERPLATE: OVERALL NICKEL
OVERPLATE: OVERALL TIN
 2. 1.2MM BLADES
BASE MATERIAL: COPPER ALLOY
CONDUCTIVITY ≥ 28% IACS @ 20°C
UNDERPLATE: OVERALL NICKEL
OVERPLATE: OVERALL TIN
3. DESIGN - GEOMETRY:
 - a. ALL GRAPHIC DATA IS BASIC (NO TOLERANCE) AND MUST BE TAKEN FROM THE DATA FILE AT ITS LATEST REVISION.
 - b. PRODUCT DESIGN MODEL NUMBER 2005010270
 - c. GEOMETRIC DIMENSIONS AND TOLERANCES PER ASME Y14.5-2009
 - d. EDGES AND UNDIMENSIONED DETAILS PER ISO13715
 - e. CORNERS SHOWN AS SHARP TO BE R 0.4 MAX.
 - f. LETTERING SHALL BE MAX POSSIBLE FOR READABILITY.
THIS INCLUDES RECYCLING CODE, CAVITY ID, VENDOR IDENTIFICATION, AND CUSTOMER MATERIAL NUMBER.
 - g. FOR BAY/POCKET DEFINITION SEE MOLEX INTERFACE DRAWING SD-160029-002
 - h. MATING HARNESS CONNECTORS MOLEX PN:
1600290001 (KEY 1)
1600290002 (KEY 2)
1600290003 (KEY 3)
1600290004 (KEY 4)
4. DESIGN - MANUFACTURING:
 - a. VISUAL DEFECTS SHALL MEET COSMETIC STANDARD PS-45499-002 (CLASS B)
 - b. REFLOW SOLDERABILITY PER SMES-152

QUALITY SYMBOLS	THIS DRAWING CONTAINS INFORMATION THAT IS PROPRIETARY TO MOLEX ELECTRONIC TECHNOLOGIES, LLC AND SHOULD NOT BE USED WITHOUT WRITTEN PERMISSION										
▽ = 0	EC NO: 602205 DRWN: JRUTTER CHK'D: JCONDON APPR: JCONDON INTERFACE UPDATE 2018/07/27 2018/08/01 2018/08/01	GENERAL TOLERANCES (UNLESS SPECIFIED)			DIMENSION UNITS	SCALE					
▽ = 0		ANGULAR TOL ± 0.5 °			mm	2:1					
▽ = 0		4 PLACES ± 0.0			DRWN BY	DATE					
▽ = 0			3 PLACES ± 0.0			CHK'D BY	DATE	STAK50H MOD HDR 27 VERT SOLDER			
▽ = 0			2 PLACES ± 0.13			APPR BY	DATE				
▽ = 0			1 PLACE ± 0.25			RBAUMAN	2016/08/22	PRODUCT CUSTOMER DRAWING			
▽ = 0			0 PLACES ± 0.0			DRAWING SIZE	THIRD ANGLE PROJECTION	SERIES	MATERIAL NUMBER	CUSTOMER	
▽ = 0			DRAFT WHERE APPLICABLE MUST REMAIN WITHIN DIMENSIONS			B		200501	SEE CHART		
▽ = 0								DOCUMENT NUMBER	DOC TYPE	DOC PART	SHEET NUMBER
								2005011270SD	PSD	000	1 OF 2

RECOMMENDED MODULE OPENING
TO PASS ISO 20653 IP40



PCB LAYOUT
FOR REFERENCE



DETAIL A
SCALE 8:1

QUALITY SYMBOLS	THIS DRAWING CONTAINS INFORMATION THAT IS PROPRIETARY TO MOLEX ELECTRONIC TECHNOLOGIES, LLC AND SHOULD NOT BE USED WITHOUT WRITTEN PERMISSION									
	▽ = 0 ▽ = 0 ▽ = 0 ▽ = 0 ▽ = 0 ▽ = 0 ▽ = 0 ▽ = 0	EC NO: 602205 DRWN: JRUTTER CHK'D: JCONDON APPR: JCONDON	2018/07/27 2018/08/01 2018/08/01	GENERAL TOLERANCES (UNLESS SPECIFIED) ANGULAR TOL ± 0.5 ° 4 PLACES ± 0.0 3 PLACES ± 0.0 2 PLACES ± 0.13 1 PLACE ± 0.25 0 PLACES ± 0.0	DIMENSION UNITS: mm SCALE: 1:1	DRWN BY: JRUTTER DATE: 2015/07/22	CHK'D BY: [blank] DATE: [blank]	APPR BY: RBAUMAN DATE: 2016/08/22	PRODUCT CUSTOMER DRAWING	
DRAWING SIZE: B									THIRD ANGLE PROJECTION	SERIES: 200501
RELEASE STATUS: P1		RELEASE DATE: 2018/08/01 16:14:13		DOCUMENT NUMBER: 2005011270SD		DOC TYPE: PSD	DOC PART: 000	SHEET NUMBER: 2 OF 2		