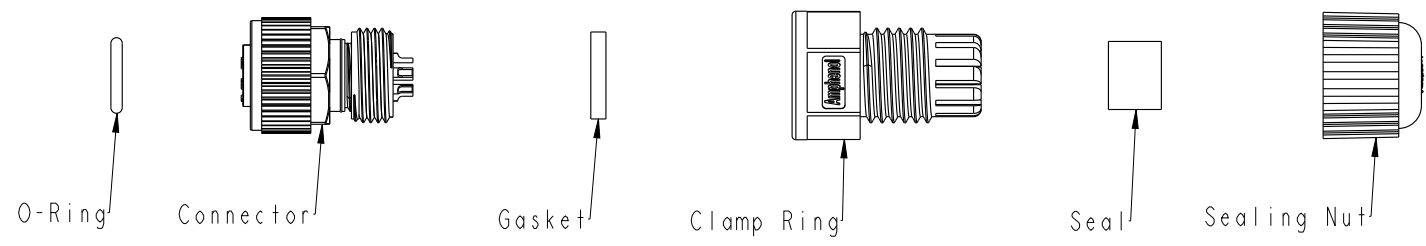
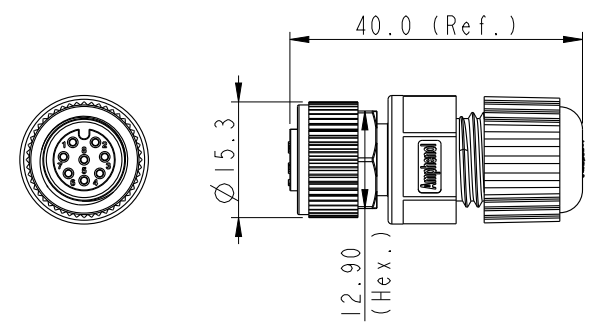


THIS DOCUMENT IS SUBJECT TO CHANGE WITHOUT NOTICE. IT IS CONFIDENTIAL AND A PROPERTY OF Amphenol LTW. DISCLOSURE TO THIRD PARTY HAS TO BE AUTHORIZED BY Amphenol LTW.

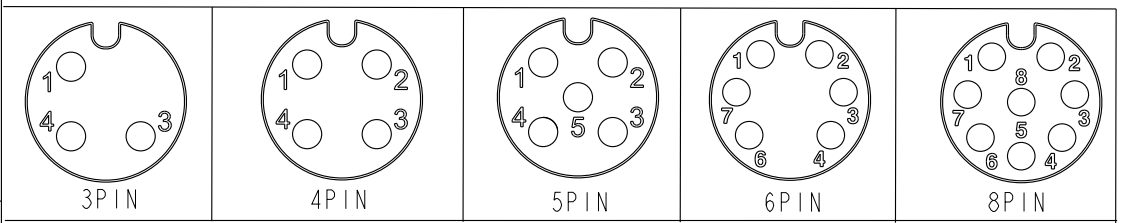
REV.	ECN NO.	DATE	SIGN	DESCRIPTION



ALTW
CONFIDENTIAL
 2019-08-28
R&D DEPT.



- Note:
- * ⌀ Important Dimension To Check
 - * Waterproof Rate: IP68
 - * Housing: Nylon+GF, Black
 - * Pin: Copper Alloy, Gold Plated
 - * Nut: Zinc Alloy, Nickel Plated
 - * Gasket: Silicone, Gray
 - * Clamp Ring: Nylon, Black
 - * Sealing Nut: Nylon, Black
 - * Seal: Silicone, Dark Gray
 - * Seal For Cable OD: $\text{⌀}4.5\text{mm} \sim \text{⌀}6.5\text{mm}$
 - * O-Ring: Silicone, Gray



Pin Assignments Front View

UNIT: mm TOLERANCE ± 0.5	TITLE M12 A CODE Assy F Conn F PIN		Amphenol LTW 安費諾亮泰企業股份有限公司		ITEM NO.	DRAWN BY JC Chen	DATE 2019/08/28
	SCALE 1:1	SIZE A4			SHEET 1 OF 2	DWG NO. M12A-XXBFFA-SL8001	CHECKED BY Li Feng
	REV. A	WC-REV. A.5	Inspection item	CUSTOMER ALTW	APPROVED BY Jerry	DATE 2019/08/28	

THIS DOCUMENT IS SUBJECT TO CHANGE WITHOUT NOTICE. IT IS CONFIDENTIAL AND A PROPERTY OF Amphenol LTW. DISCLOSURE TO THIRD PARTY HAS TO BE AUTHORIZED BY Amphenol LTW.



M 12A - XX B F F A - S L 8 001

- 001: Without Cable
- 12A: A-Code
- 03: 3Pin
- 04: 4Pin
- 05: 5Pin
- 06: 6Pin
- 08: 8Pin
- B: Without S/R(無網尾)
- F: Female Connector(母座)
- F: Female Pin(母Pin)
- 8: IP68(防水等級68)
- L: Straight (180°)
- S: Screw(螺紋式)
- A: Solder Type

UNIT:mm	
TOLERANCE ± 0.5	

TITLE M12 A CODE Assy F Conn F PIN		
SCALE 1:1	SIZE A4	SHEET 2 OF 2
REV. A	WC-REV. A.5	☉: Inspection item

Amphenol LTW
安費諾亮泰企業股份有限公司

ITEM NO	DRAWN BY JC Chen	DATE 2019/08/28
DWG NO M12A-XXBFFA-SL8001	CHECKED BY Li Feng	DATE 2019/08/28
CUSTOMER ALTW	APPROVED BY Jerry	DATE 2019/08/28