

THIS DRAWING IS UNPUBLISHED.

RELEASED FOR PUBLICATION

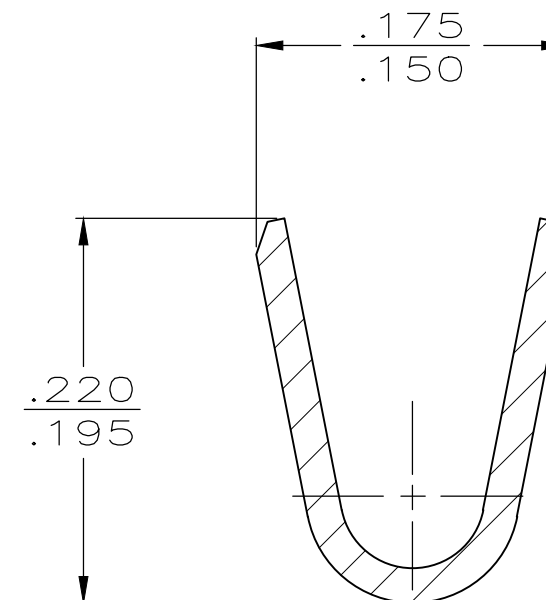
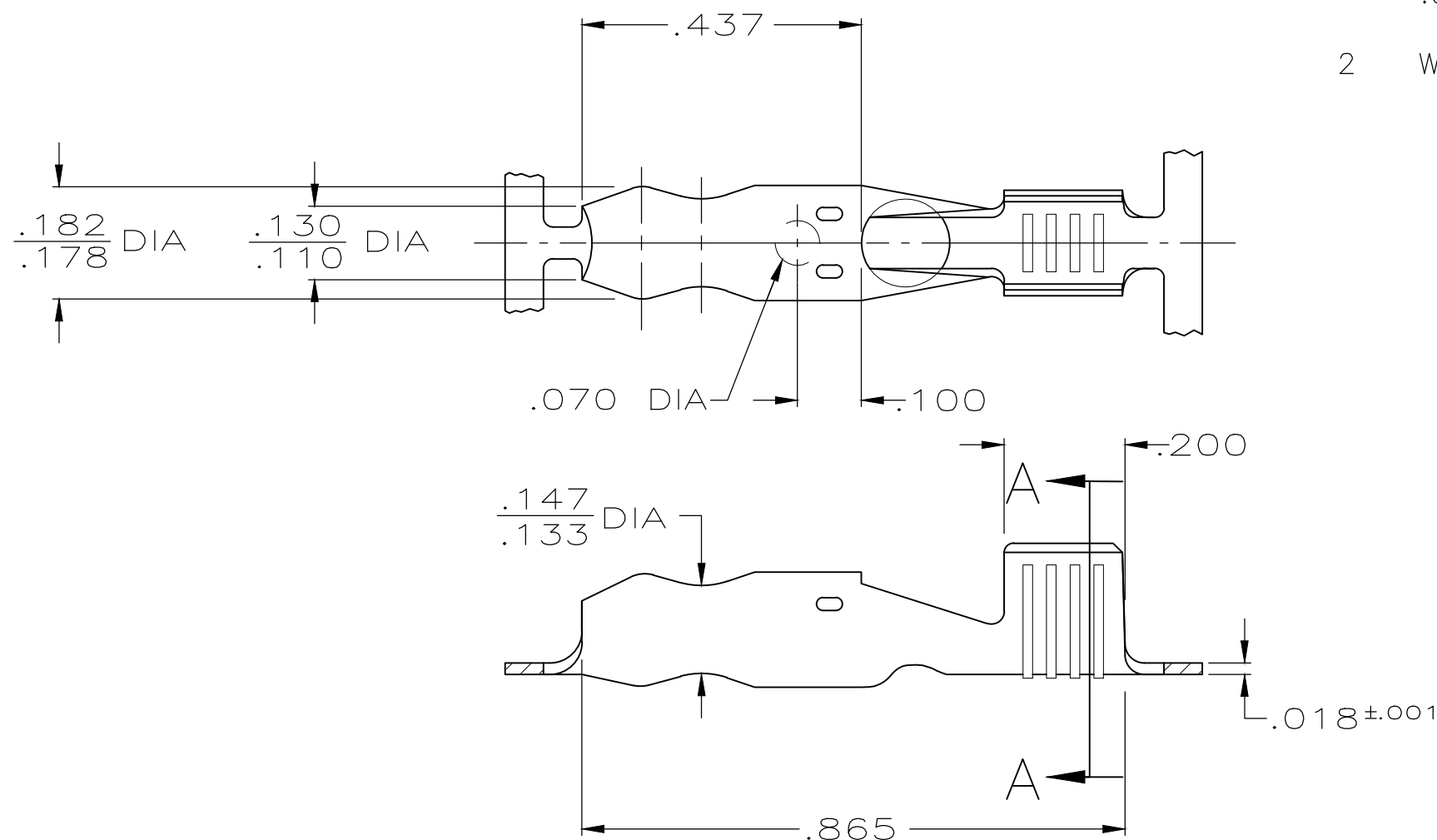
REVISIONS

© COPYRIGHT - TE Connectivity Ltd.

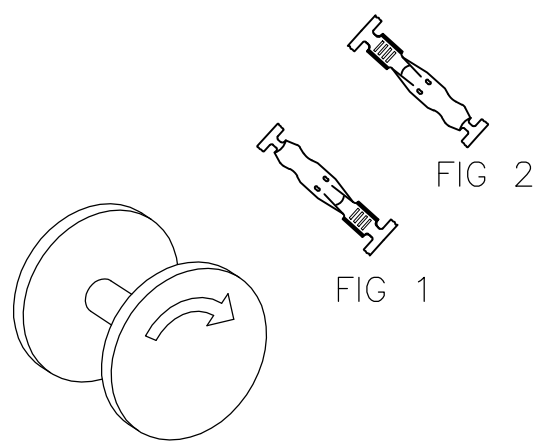
ALL RIGHTS RESERVED.

| P | LTR | DESCRIPTION               | DATE      | DWN | APVD |
|---|-----|---------------------------|-----------|-----|------|
|   | L2  | REVISED PER ECO-19-006932 | 06MAY2019 | RS  | LB   |

- 1 .000080 MIN TIN PLATE PER ASTM-B545 OVER  
.000050 MIN NICKEL UNDERPLATE PER QQ-N-290.
- 2 WIRE SIZE IS #14-#10 AWG, 9600 CMA MAX.



SECTION A-A  
SCALE 10:1



|                   |  |                |          |
|-------------------|--|----------------|----------|
| FIG 1             | 1                                      | 1/4 HARD BRASS | 42865-5  |
| FIG 1             | TIN PL<br>.000080 MIN THK<br>ASTM-B545 | 1/4 HARD BRASS | 42865-3  |
| FIG 2             |  | 1/4 HARD BRASS | 42865-2  |
| FIG 1             | NONE                                   | 1/4 HARD BRASS | 42865-1  |
| REELING DIRECTION | FINISH                                 | MATERIAL       | PART NO. |

|  |                     |                              |  |                    |                       |                    |
|--|---------------------|------------------------------|--|--------------------|-----------------------|--------------------|
| THIS DRAWING IS A CONTROLLED DOCUMENT.   |                     | DWN<br>DK SCHRUM<br>3/27/89  | TE Connectivity<br>SHUR PLUG, .180 DIA |                    |                       |                    |
| DIMENSIONS:<br>INCHES  |                     | CHK<br>PM FORTNEY<br>3/27/89 |  |                    | NAME                  |                    |
| TOLERANCES UNLESS OTHERWISE SPECIFIED:   |                     | APVD<br>G YETTER<br>3/27/89  |  |                    | PRODUCT SPEC          |                    |
| 0 PLC ± -<br>1 PLC ± -<br>2 PLC ± -<br>3 PLC ± .015<br>4 PLC ± -<br>ANGLES ± - |                     | APPLICATION SPEC             |  |                    | RESTRICTED TO         |                    |
| MATERIAL<br>SEE TABLE  | FINISH<br>SEE TABLE | WEIGHT<br>-                  | SIZE<br>A3                             | CAGE CODE<br>00779 | DRAWING NO<br>C-42865 | RESTRICTED TO<br>- |
| CUSTOMER DRAWING   |                     |                              | SCALE<br>4:1                           | SHEET<br>1 OF 1    | REV<br>L2             |                    |