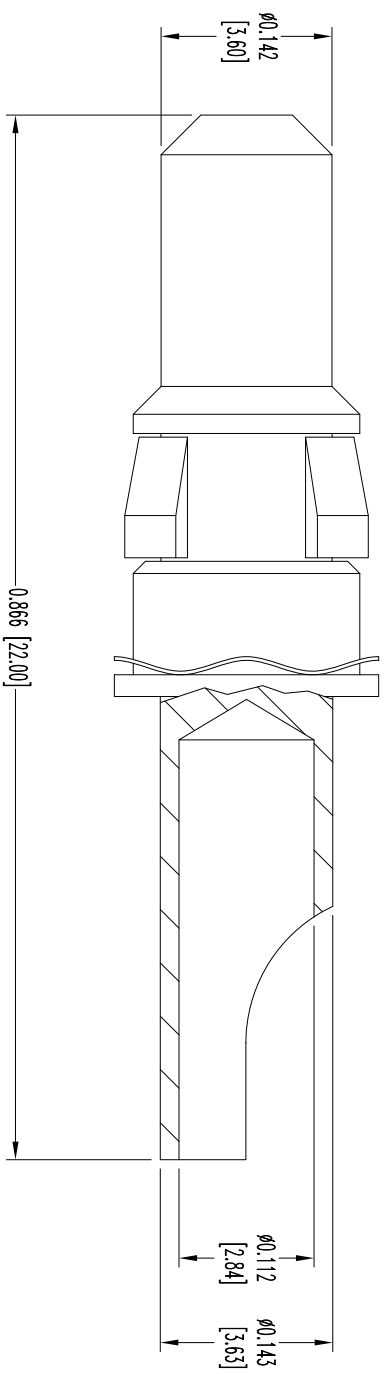


THIS DRAWING CONTAINS INFORMATION PROPRIETARY TO POSITRONIC INDUSTRIES INC. THE DATA ON THIS DRAWING TO BE RELIABLE. SINCE THE USER EMPLOY'S SUCH INFORMATION AT HIS OWN DISCRETION POSITRONIC INDUSTRIES INC. ASSUMES NO LIABILITY FOR RESULTS OBTAINED OR DAMAGES INCURRED FROM USE OF SUCH INFORMATION IN WHOLE OR IN PART.



DATE	REV	REVISION RECORD	APP	DR	CK
1-17-06	NC	ECO 25356	RW	YK	COLB
3-29-10	A	ECO 32302	TK	BE	TK
1-9-14	B	ECO 34713	COLB	BE	COLB
9-14-16	C	ECO 52583	COLB	AC	COLB

SK6961

NOTES:

1. MATERIAL AND FINISH:
CONTACT: PRECISION MACHINED COPPER ALLOY, GOLD FLASH OVER NICKEL.
SPRING WASHER: BERYLLIUM COPPER, GOLD FLASH OVER NICKEL PLATE.
RETENTION RING: POLYETHERIMIDE, COLOR BLACK.
2. DETAILED PRODUCT, ELECTRICAL, AND MECHANICAL INFORMATION IS AVAILABLE IN THE LATEST STANDARD DENSITY COMBO-D PRODUCT PUBLICATION.
VISIT CONNECTPOSITRONIC.COM/PRODUCTS/1/STANDARDENSITYCOMBO-D OR CONNECTPOSITRONIC.COM.
3. CONTACTS ARE ROHS COMPLIANT PER ROHS DIRECTIVE 2002/95/EC OF 27 JAN 2003.
4. DIMENSIONS ARE IN INCHES [MILLIMETERS].

POSITRONIC INDUSTRIES INC.
www.connectpositronic.com FSCM 28198

DECIMAL TOL. ± 0.015 [0.38]	SCALE N.T.S.	DRAWN BY YK
ANGULAR TOL. ± 5°	CBD SERIES	APPROVED BY RW
DATE 1-17-06	TITLE MS4012D/AA	REV. C
	DRAWING NUMBER SK6961	