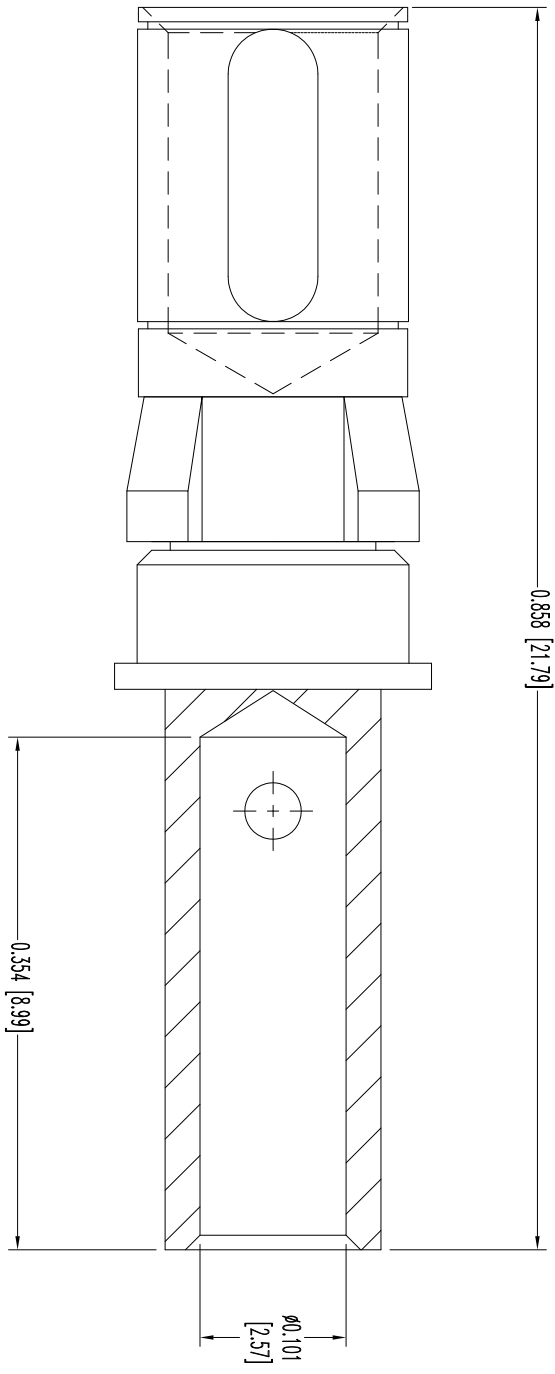


THIS DRAWING CONTAINS INFORMATION PROPRIETARY TO POSITRONIC INDUSTRIES INC. THE DATA ON THIS DRAWING TO BE RELIABLE. SINCE THE TECHNICAL INFORMATION IS GIVEN FREE OF CHARGE, THE USER BEAR'S SUCH INFORMATION AT HIS OWN DISCRETION. POSITRONIC INDUSTRIES INC. DOES NOT ASSUME ANY LIABILITY FOR RESULTS OBTAINED OR DAMAGES INCURRED FROM USE OF SUCH INFORMATION IN WHOLE OR IN PART.



- NOTES:
1. MATERIAL & FINISHES:
CONTACT: PRECISION MACHINED COPPER ALLOY, GOLD FLASH OVER NICKEL FINISH.
RETENTION RING: POLYETHERIMIDE, COLOR BLACK.
 2. DETAILED PRODUCT, ELECTRICAL, AND MECHANICAL INFORMATION IS AVAILABLE IN THE LATEST STANDARD DENSITY COMBO-D PRODUCT PUBLICATION.
VISIT CONNECTPOSITRONIC.COM/PRODUCTS/STANDARDENSITYCOMBO-D OR CONNECTPOSITRONIC.COM.
 3. CONTACTS ARE ROHS COMPLIANT PER ROHS DIRECTIVE 2002/95/EC OF 27 JAN 2003.
 4. DIMENSIONS ARE IN INCHES [MILLIMETERS].

| DATE | REV | REVISION RECORD | APP | DR | CK |
|------|-----|-----------------|------|----|------|
| 7-2 | NC | ECO 28118 | RW | YK | COLB |
| 3-26 | A | ECO 32294 | COLB | BE | SY |
| 11-9 | B | ECO 34719 | COLB | BE | COLB |
| 10-3 | C | ECO 52798 | COLB | CM | COLB |

SK8712



POSITRONIC INDUSTRIES INC.
www.connectpositronic.com

FSCM 28198

| | | | | | |
|--------------------------------|----------------------|---------------------|-------------------|--------------------------|-----------|
| DECIMAL TOL. ± 0.015 [0.38] | ANGULAR TOL. ± 5° | TITLE FC4012D/AA | DATE 7-2-07 | DRAWING NUMBER SK8712 | REV. C |
| SCALE N.T.S. | DRAWN BY YK | CBD SERIES | APPROVED BY RW | | |