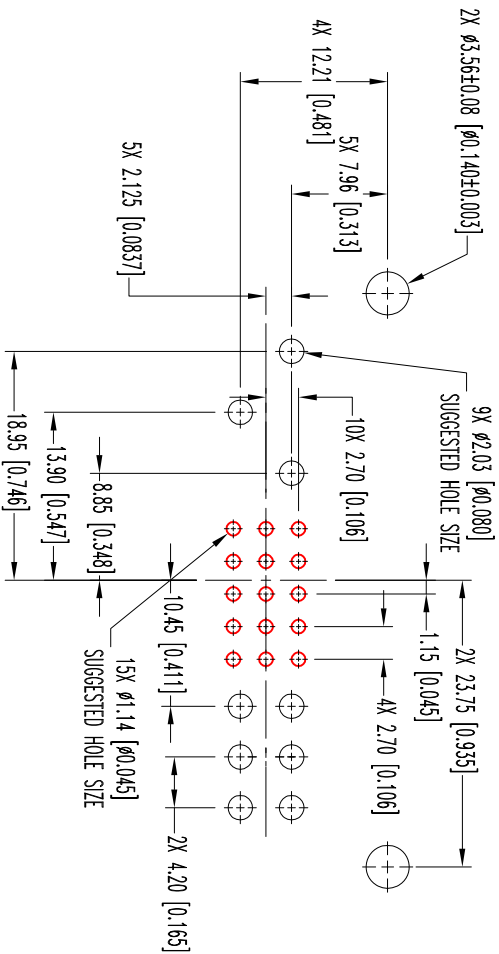
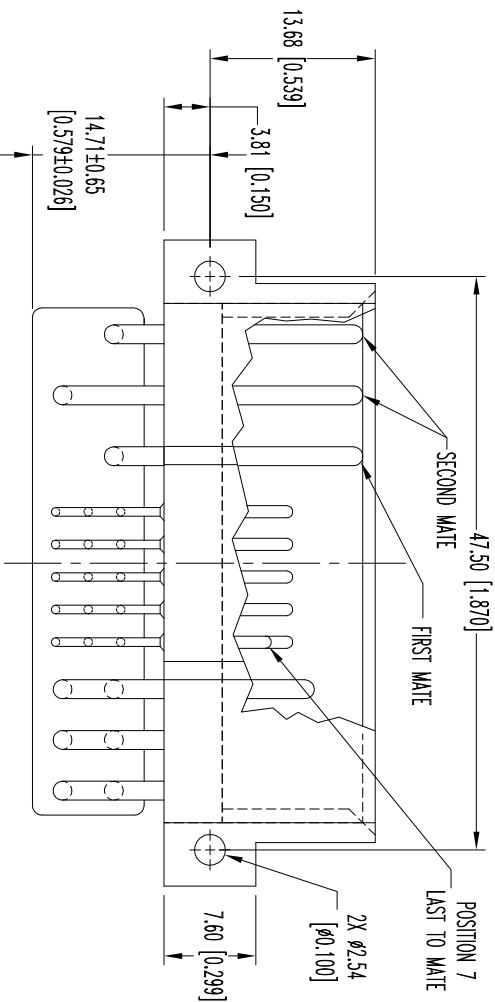
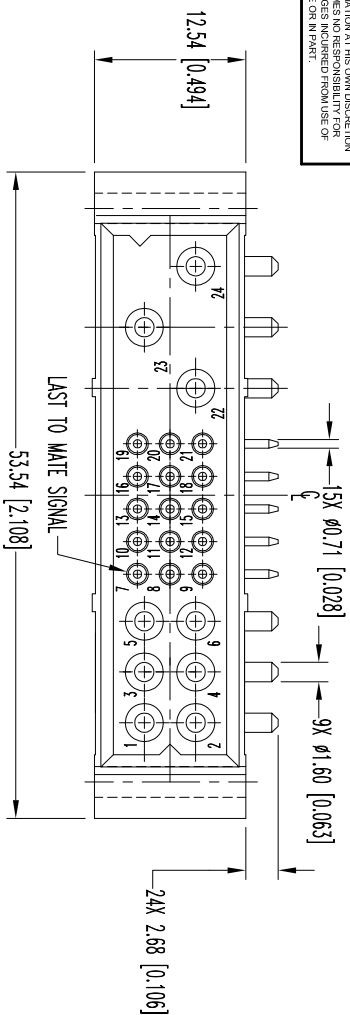


THIS DRAWING CONTAINS INFORMATION PROPRIETARY TO POSITRONIC AND ITS SUBSIDIARIES. POSITRONIC BELIEVES THE DATA ON THIS DRAWING TO BE RELIABLE. SINCE THE USER SHALL BE RESPONSIBLE FOR CHECKING THE DIMENSIONS AND RISK. POSITRONIC ASSUMES NO RESPONSIBILITY FOR RESULTS OBTAINED OR DAMAGES INCURRED FROM USE OF SUCH INFORMATION IN WHOLE OR IN PART.



NOTES:

1. MATERIALS AND FINISHES:

INSULATOR: GLASS FILLED POLYESTER. UL 94V-0, COLOR: BLUE.  
 SIZE 16 CONTACTS: HIGH CONDUCTIVITY PRECISION MACHINED COPPER ALLOY, GOLD FLASH OVER NICKEL PLATE.  
 SIZE 22 CONTACTS: PRECISION MACHINED COPPER ALLOY, GOLD FLASH OVER NICKEL PLATE.

2. ELECTRICAL CHARACTERISTICS:

CONTACT CURRENT RATING:  
 SIZE 16 POWER CONTACTS:  
 POSITIONS 22, 23, AND 24: 45 AMPS CONTINUOUS, ALL CONTACTS UNDER LOAD.  
 POSITIONS 1-6: 35 AMPS CONTINUOUS, ALL CONTACTS UNDER LOAD

SIZE 22 SIGNAL CONTACTS: 3 AMPS NOMINAL.  
 INITIAL CONTACT RESISTANCE:  
 SIZE 16 CONTACTS: 0.0007 OHMS MAX.  
 SIZE 22 CONTACTS: 0.004 OHMS MAX. PER IEC 512-2, TEST 2b.  
 INSULATOR RESISTANCE: 5 G OHMS PER IEC 512-2, TEST 3a.

WORKING VOLTAGE:

CONTACTS 22, 23, AND 24: 1000 V rms  
 CONTACTS 1 THROUGH 6: 500 V rms  
 CONTACTS 7 THROUGH 21: 333 V rms

CREPAGE AND CLEARANCE DISTANCE (MINIMUM):

CONTACT 24 TO CONTACT 22: 3.2 [0.126]  
 CONTACT 23 TO CONTACT 22: 3.2 [0.126]  
 CONTACT 24 TO SIGNAL CONTACTS: 6.4 [0.252]  
 CONTACT 23 TO SIGNAL CONTACTS: 6.4 [0.252]  
 CONTACT 24 TO CONTACT 23: 2.5 [0.089]  
 CONTACT 22 TO SIGNAL CONTACTS: 2.0 [0.079]

- 3. WORKING TEMPERATURE: -55°C TO +125°C
- 4. CONNECTORS ARE ROHS COMPLIANT PER ROHS DIRECTIVE 2002/95/EC OF 27 JAN 2003.
- 5. DIMENSIONS ARE IN MILLIMETERS [INCHES].

| DATE     | REV | REVISION/RECORD | APP | DR | CK   |
|----------|-----|-----------------|-----|----|------|
| 6-28-05  | NC  | ECO 252285      | TK  | YK | TK   |
| 10-29-09 | A   | ECO 31681       | RCW | BS | COLA |

SK6281



**POSITRONIC INDUSTRIES INC.**  
 www.connectpositronic.com

FSCM 28198

|               |        |             |
|---------------|--------|-------------|
| DECIMAL TOL.  | SCALE  | DRAWN BY    |
| ±0.38 [0.015] | N.T.S. | APPROVED BY |
|               |        | TK          |

|       |             |
|-------|-------------|
| TITLE | PCI SERRES  |
|       | N.T.S.      |
|       | APPROVED BY |
|       | TK          |

|         |                |      |
|---------|----------------|------|
| DATE    | DRAWING NUMBER | REV. |
| 6-28-05 | SK6281         | A    |

ANGULAR TOL.  
 ±5°

DATE

DRAWING NUMBER

REV.