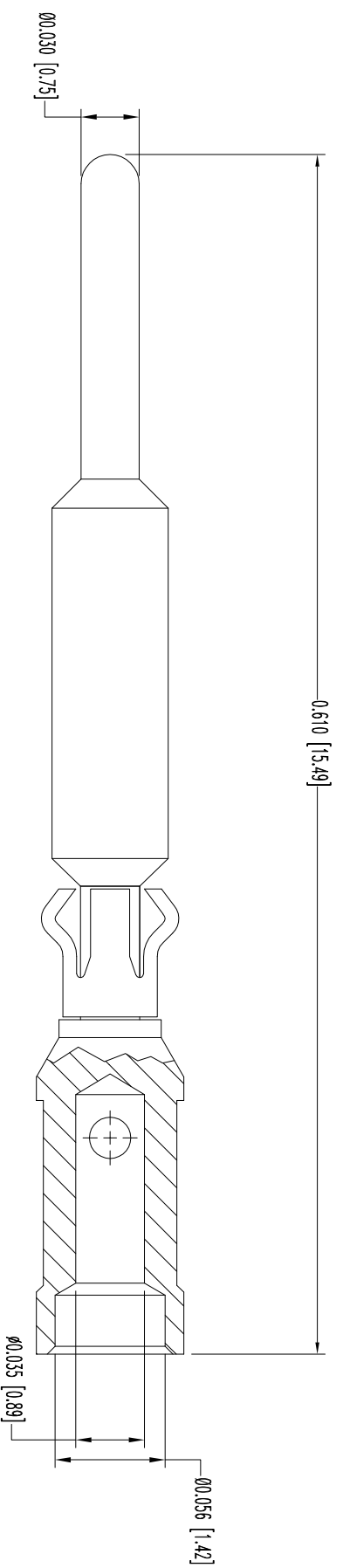


POSITRONIC INDUSTRIES BELIEVES THE DATA ON THIS DRAWING TO BE RELIABLE, SINCE THE TECHNICAL INFORMATION IS GIVEN FREE OF CHARGE, THE USER EMPLOYER ASSUMES ALL LIABILITY FOR THE DESIGN AND RISK. POSITRONIC INDUSTRIES ASSUMES NO LIABILITY FOR RESULTS OBTAINED OR DAMAGES INCURRED FROM THE USE OF THIS INFORMATION IN WHOLE OR IN PART.




DATE	REV	REVISION RECORD	APP	DR	CK
2-10-06	NC	ECO 25484	RCW	YK	TK
2-22-12	A	ECO 35259	COLB	BS	COLB
12-6-16	B	ECO 53495	CM	AB	CM

SK7031

NOTES:

1. MATERIALS AND FINISHES:
CONTACT: PRECISION MACHINED COPPER ALLOY, 0.000015 [0.38μ] GOLD OVER NICKEL PLATE.
RETAINING CLIP: BERYLLIUM COPPER, GOLD FLASH OVER NICKEL PLATE.
2. DETAILED PRODUCT, MECHANICAL, AND ELECTRICAL INFORMATION IS AVAILABLE IN THE LATEST HIGH DENSITY RECTANGULAR PRODUCT PUBLICATION.
AT CONNECTPOSITRONIC.COM.
3. CONTACTS ARE COMPLIANT PER CURRENT ROHS DIRECTIVE.
4. DIMENSIONS ARE IN INCHES [MILLIMETERS].

 POSITRONIC INDUSTRIES INC. www.connectpositronic.com	
DECIMAL TOL.	± 0.015 [0.38]
ANGULAR TOL.	± 5°
DATE	2-10-06
DRAWING NUMBER	SK7031
TITLE	MC422N/AA
SCALE	N.T.S.
SGMC SERIES	
DRAWN BY	YK
APPROVED BY	R WILLIAMS
REV.	B