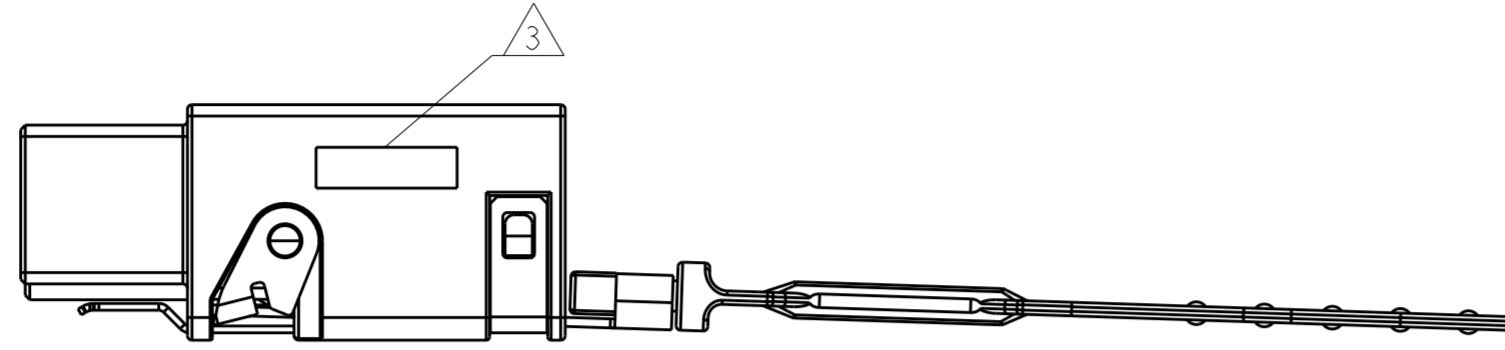


THIS DRAWING IS UNPUBLISHED. RELEASED FOR PUBLICATION 20
 © COPYRIGHT 20 BY - ALL RIGHTS RESERVED.

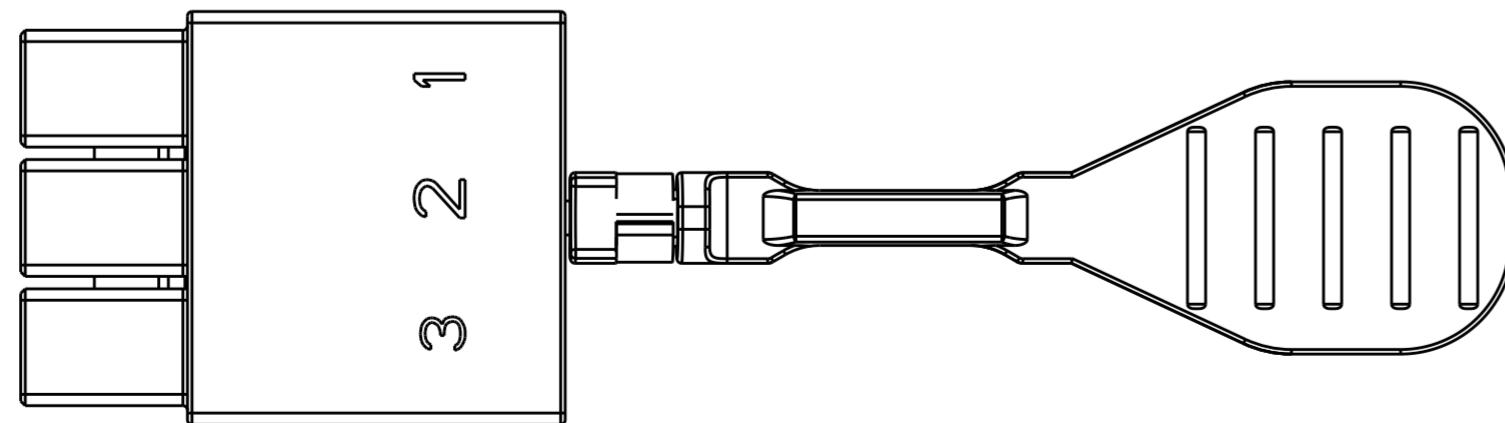
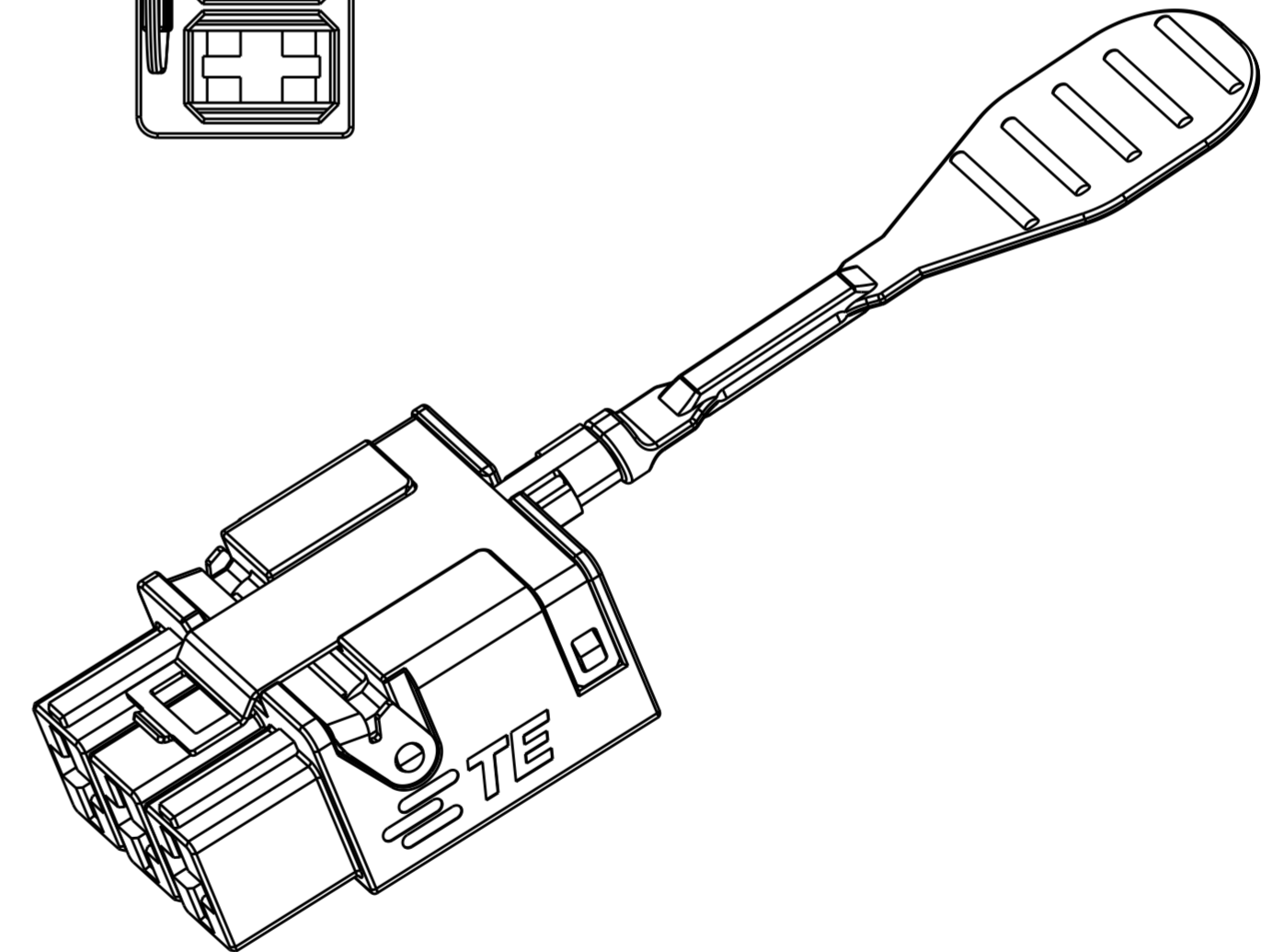
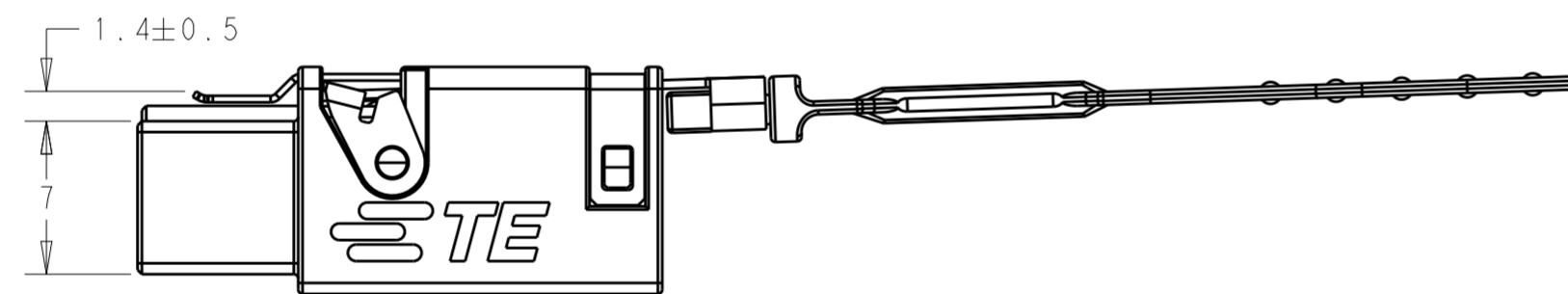
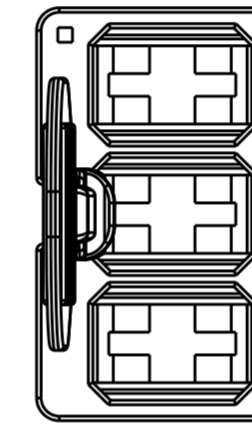
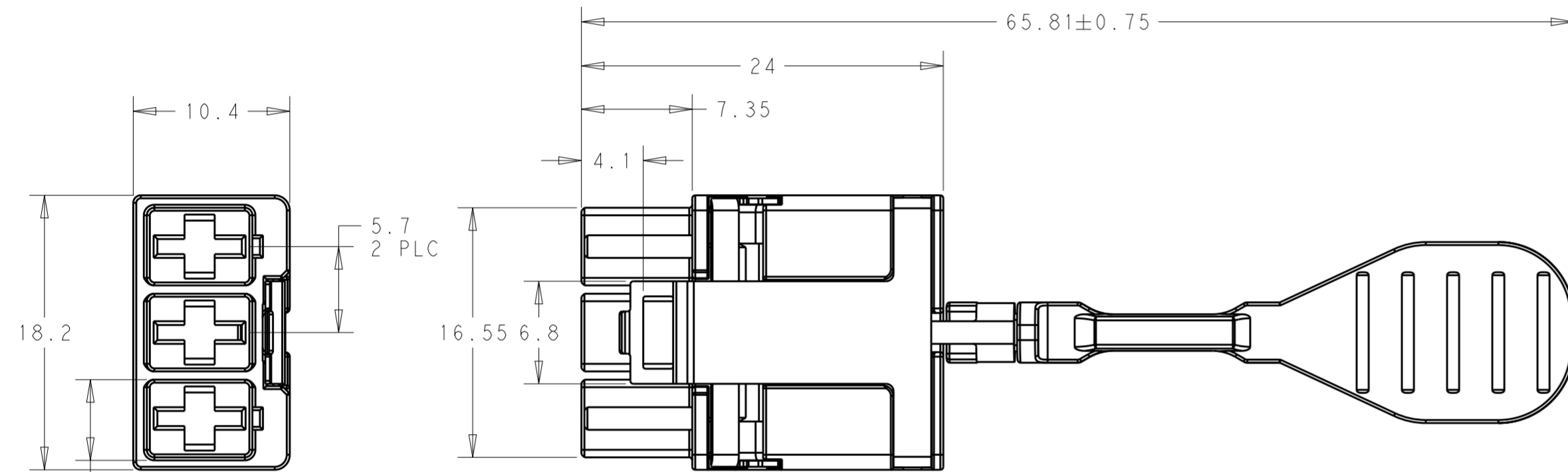
REVISIONS				
P	LTR	DESCRIPTION	DATE	APVD
A		INITIAL RELEASE	05MAY2016	OL SZ
B		REV PER ECO-16-014059	10JAN2017	WY SZ
B1		ADD NEW PART WITH SHORT PULL TAB	14NOV2018	OL SZ
B2		ADD -3	21JUN2019	OL SZ



① USED FOR STANDARD POWER TIMER CONTACTS, FOR CONTACTS PART NUMBER, PLEASE SEE DRAWING 1355048

② ALLOWED MAX. WIRE SIZE 6MM2. THE INSULATION CRIMP FOR 6MM2 WIRE SHOULD USE OVAL CRIMPING AND SUGGESTED CRIMP WIDTH IS 4.7MM AND HEIGHT IS 6.8MM

③ CABLE HOUSING PART NUMBER AND DATECODE

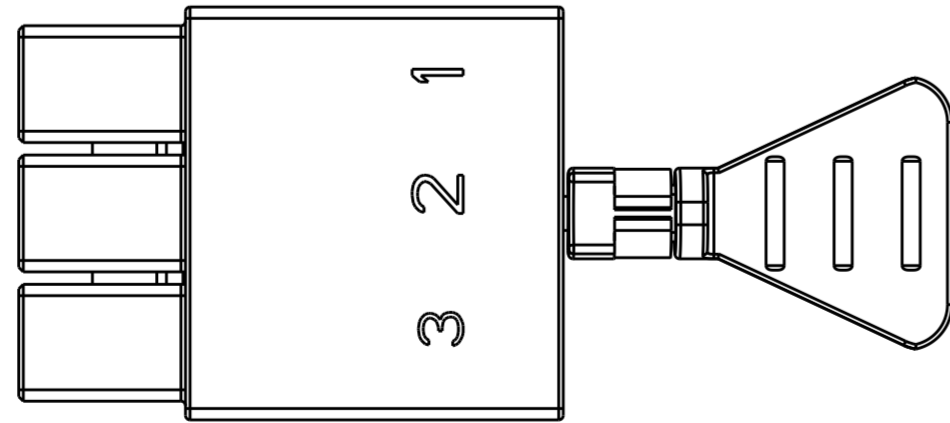
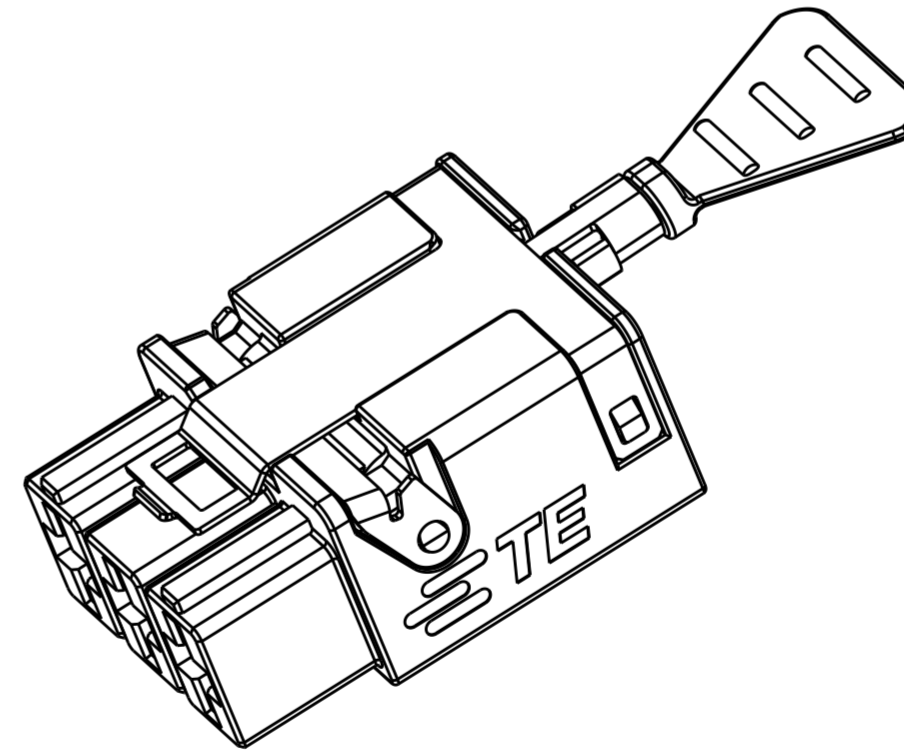
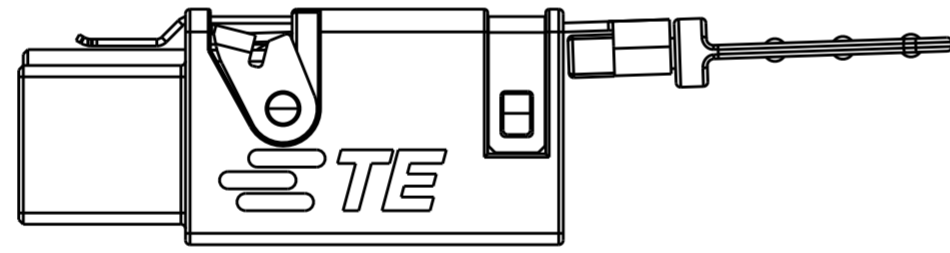
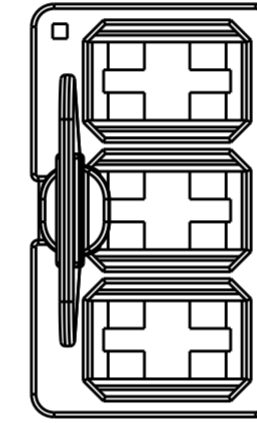
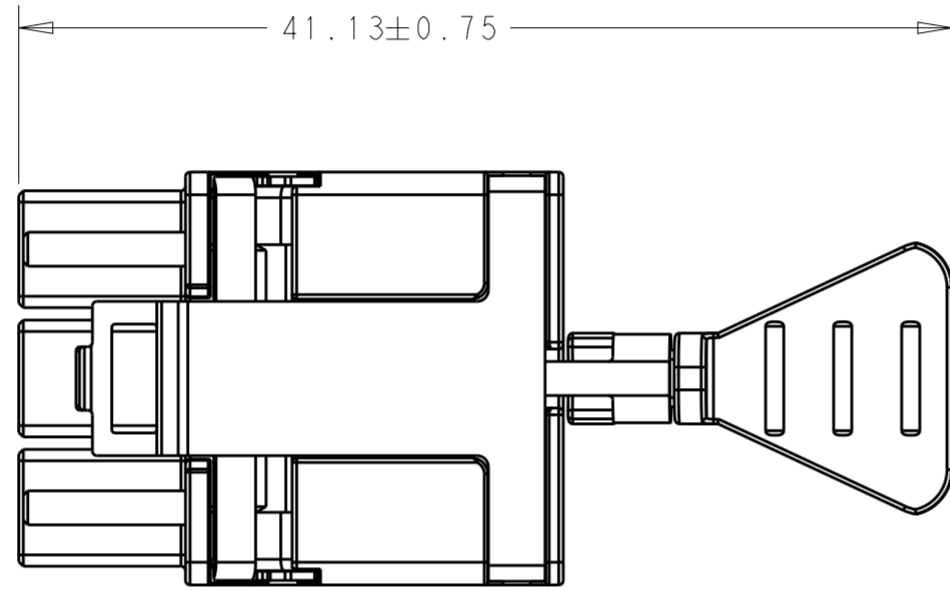
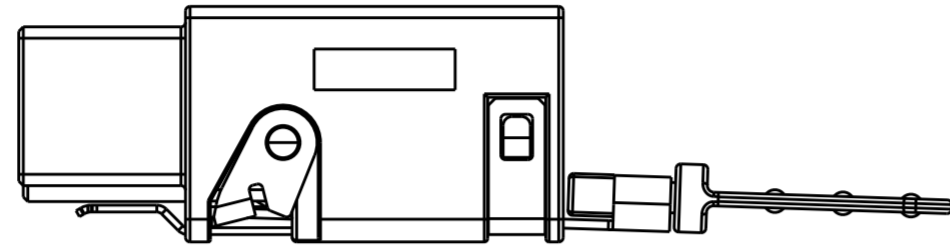
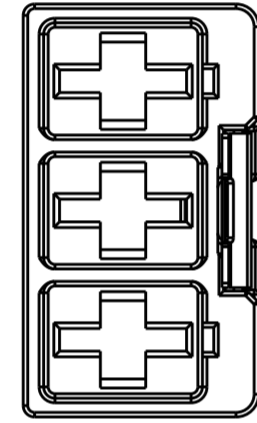


2204534-1 PART NUMBER

THIS DRAWING IS A CONTROLLED DOCUMENT.		DWN ORANDO LI 03APR2015	TE Connectivity															
DIMENSIONS: mm		CHK ZHAO SUNY 03APR2015																
TOLERANCES UNLESS OTHERWISE SPECIFIED:		APVD SUNY ZHAO 03APR2015	NAME ELCON Mini, 3-position cable conn. pull-tab, 6mm2 max. wire															
<table border="1"> <tr><td>0 PLC</td><td>±0.2</td></tr> <tr><td>1 PLC</td><td>±0.1</td></tr> <tr><td>2 PLC</td><td>±0.05</td></tr> <tr><td>3 PLC</td><td>±</td></tr> <tr><td>4 PLC</td><td>±</td></tr> <tr><td>ANGLES</td><td>±</td></tr> <tr><td>FINISH</td><td>±</td></tr> </table>		0 PLC	±0.2	1 PLC	±0.1	2 PLC	±0.05	3 PLC	±	4 PLC	±	ANGLES	±	FINISH	±	PRODUCT SPEC 108-128028	SIZE A2	
0 PLC	±0.2																	
1 PLC	±0.1																	
2 PLC	±0.05																	
3 PLC	±																	
4 PLC	±																	
ANGLES	±																	
FINISH	±																	
MATERIAL TBD		APPLICATION SPEC 114-128029	CAGE CODE -	DRAWING NO. C-2204534														
		WEIGHT -	RESTRICTED TO -															
		CUSTOMER DRAWING	SCALE 3:1	SHEET 1 OF 3 REV B2														

THIS DRAWING IS UNPUBLISHED. RELEASED FOR PUBLICATION 20
 © COPYRIGHT 20 BY - ALL RIGHTS RESERVED.

REVISIONS				
P	LTR	DESCRIPTION	DATE	APVD
-		SEE SHEET 1	-	-



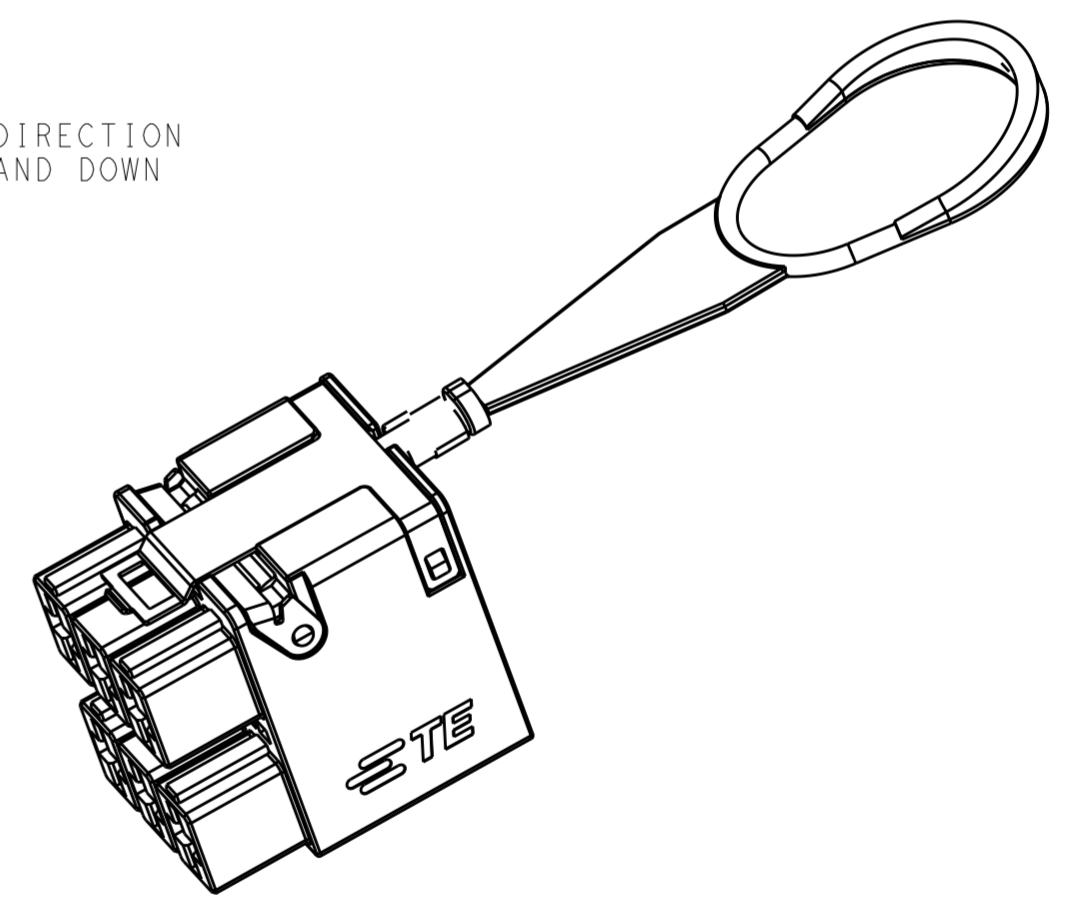
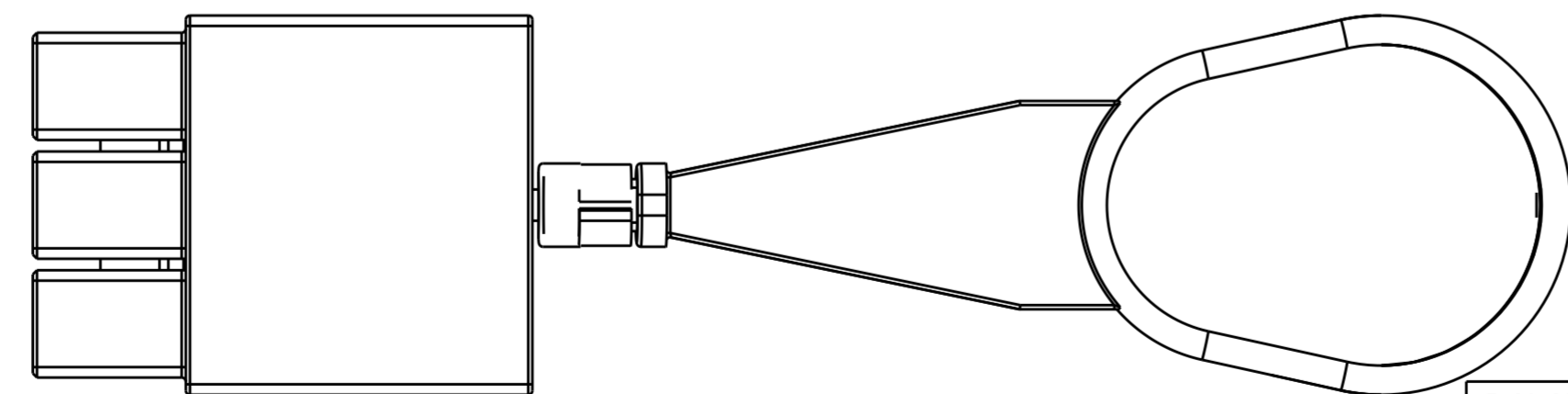
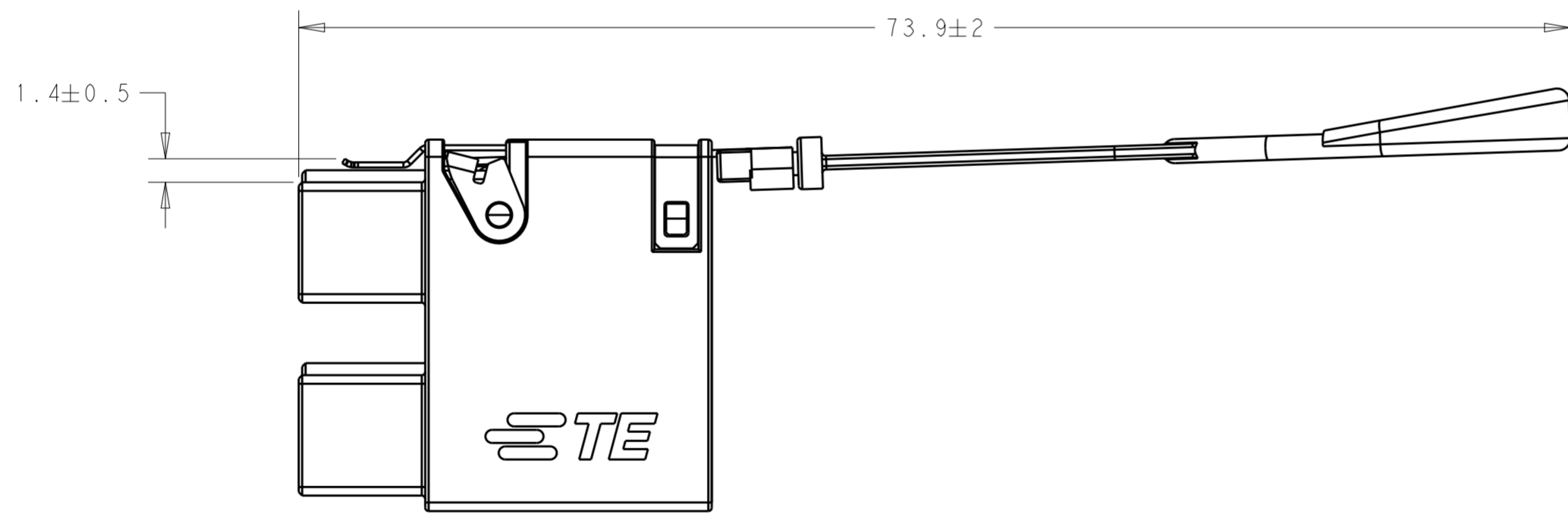
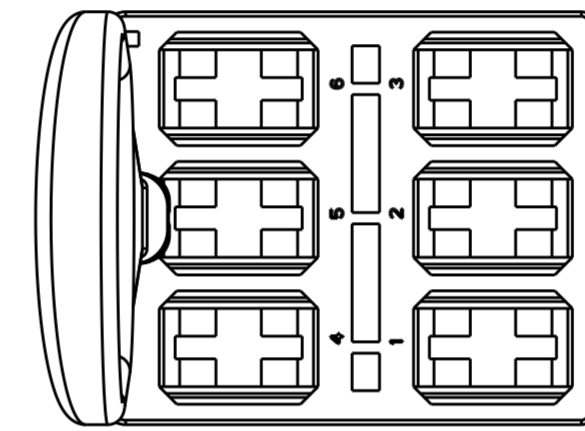
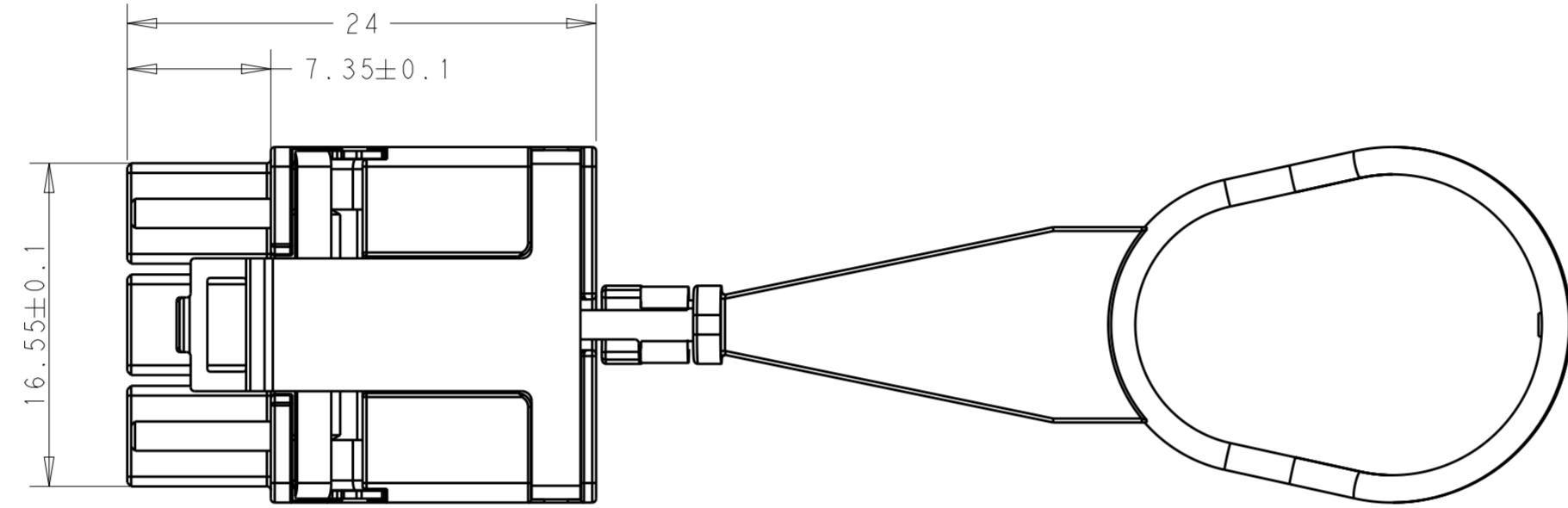
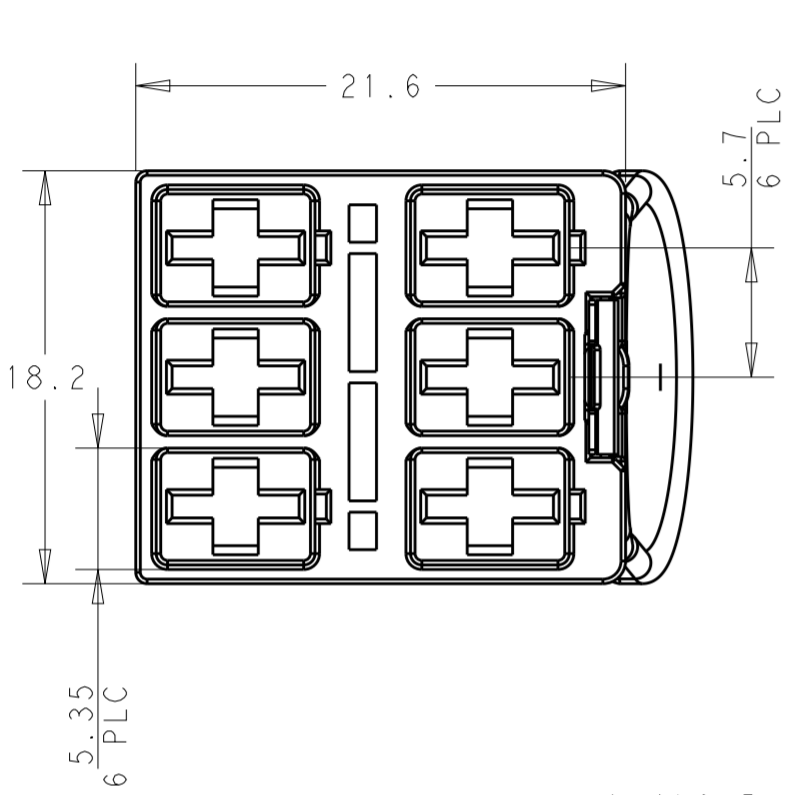
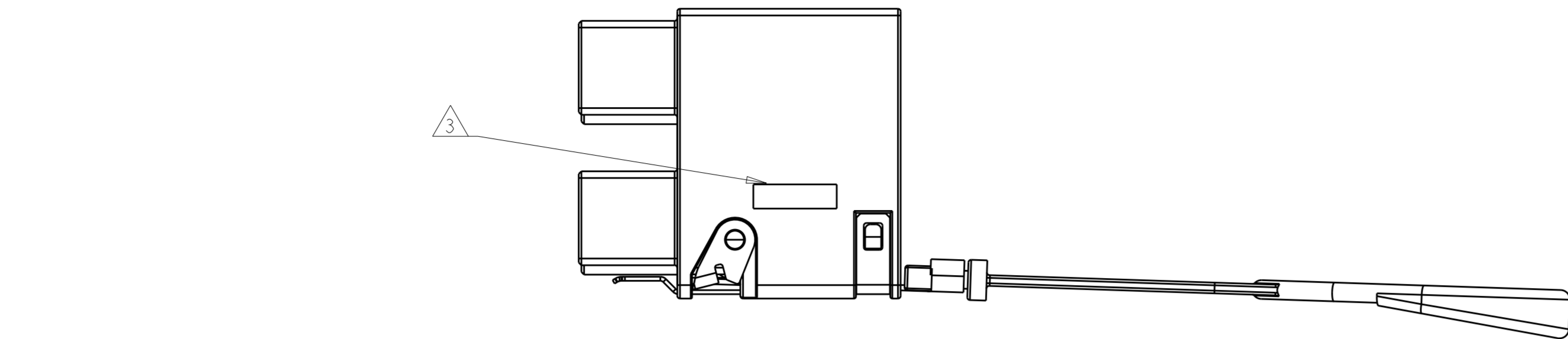
OTHER DIMENSIONS, REFER TO SHEET 1

2204534-2 PART NUMBER

THIS DRAWING IS A CONTROLLED DOCUMENT.		DWN 03APR2015 ORANDO LI		
		CHK 03APR2015 ZHAO SUNY		
		APVD 03APR2015 SUNY ZHAO	NAME ELCON Mini, 3-position cable conn. pull-tab, 6mm ² max. wire	
DIMENSIONS: mm		PRODUCT SPEC 108-128028	SIZE A2	
TOLERANCES UNLESS OTHERWISE SPECIFIED:		APPLICATION SPEC 114-128029	CAGE CODE -	
0 PLC ±0.2		WEIGHT -	DRAWING NO. C-2204534	
1 PLC ±0.1		RESTRICTED TO -		
2 PLC ±0.05		SCALE 3:1 SHEET 2 OF 3 REV B2		
3 PLC ±		CUSTOMER DRAWING		
4 PLC ±				
ANGLES ±				
FINISH -				

THIS DRAWING IS UNPUBLISHED. RELEASED FOR PUBLICATION 20
 © COPYRIGHT 20 BY - ALL RIGHTS RESERVED.

REVISIONS				
P	LTR	DESCRIPTION	DATE	APVD
-	-	SEE SHEET 1	-	-



THIS DRAWING IS A CONTROLLED DOCUMENT.		DWN ORANDO LI 03APR2015	STE TE Connectivity	
DIMENSIONS: mm		CHK ZHAO SUNY 03APR2015		
TOLERANCES UNLESS OTHERWISE SPECIFIED:		APVD SUNY ZHAO 03APR2015	NAME ELCON Mini, 3-position cable conn. pull-tab, 6mm2 max. wire	
0 PLC ±0.2		PRODUCT SPEC 108-128028	SIZE A2	
1 PLC ±0.1		APPLICATION SPEC 114-128029	CAGE CODE -	
2 PLC ±0.05		WEIGHT -	DRAWING NO. C-2204534	
3 PLC ±		CUSTOMER DRAWING	RESTRICTED TO -	
4 PLC ±			SCALE 3:1 SHEET 3 OF 3 REV B2	
ANGLES ±				
FINISH -				