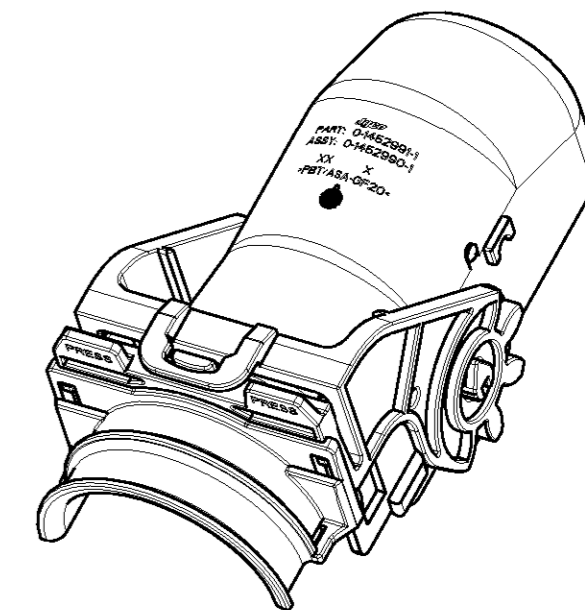
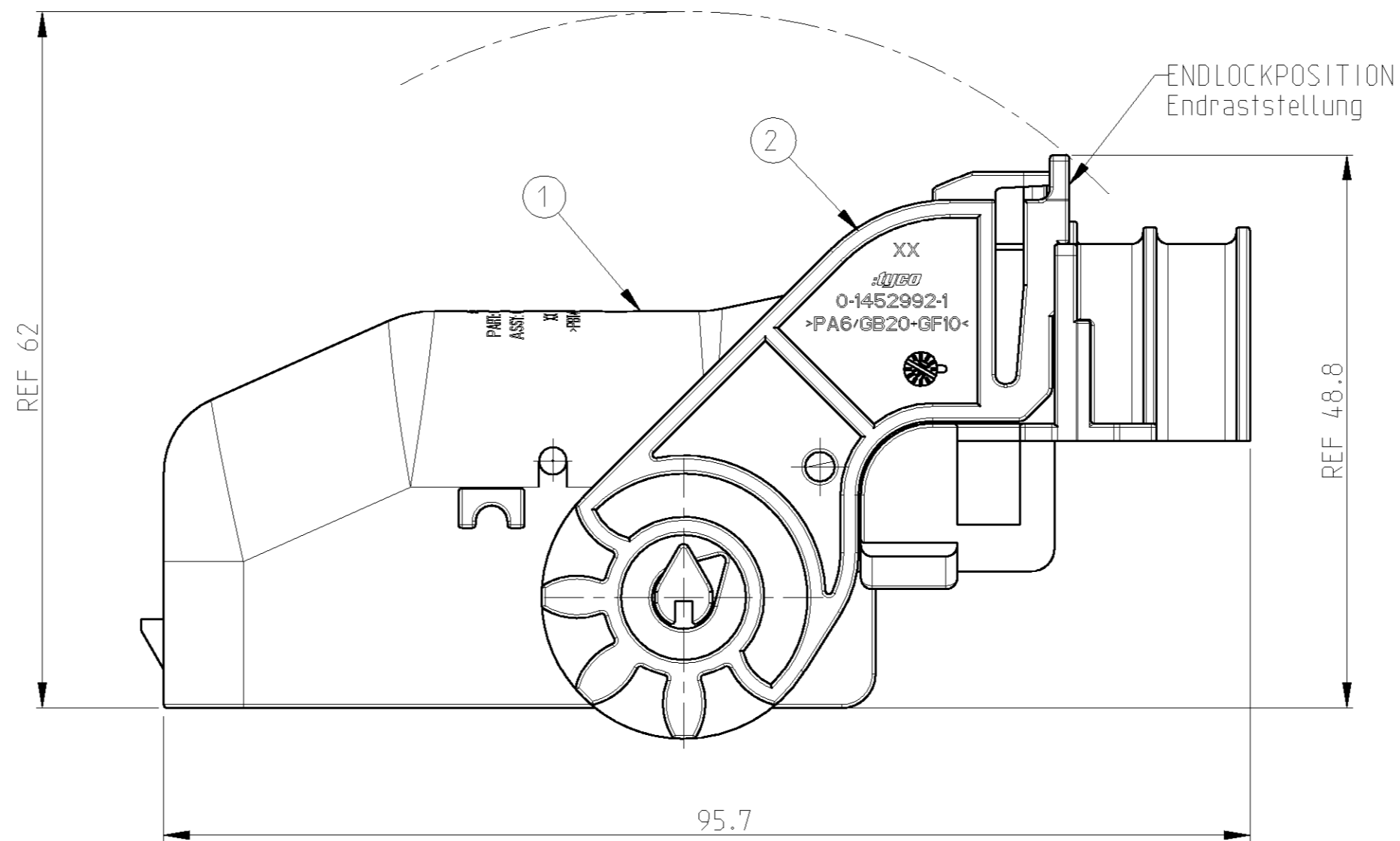
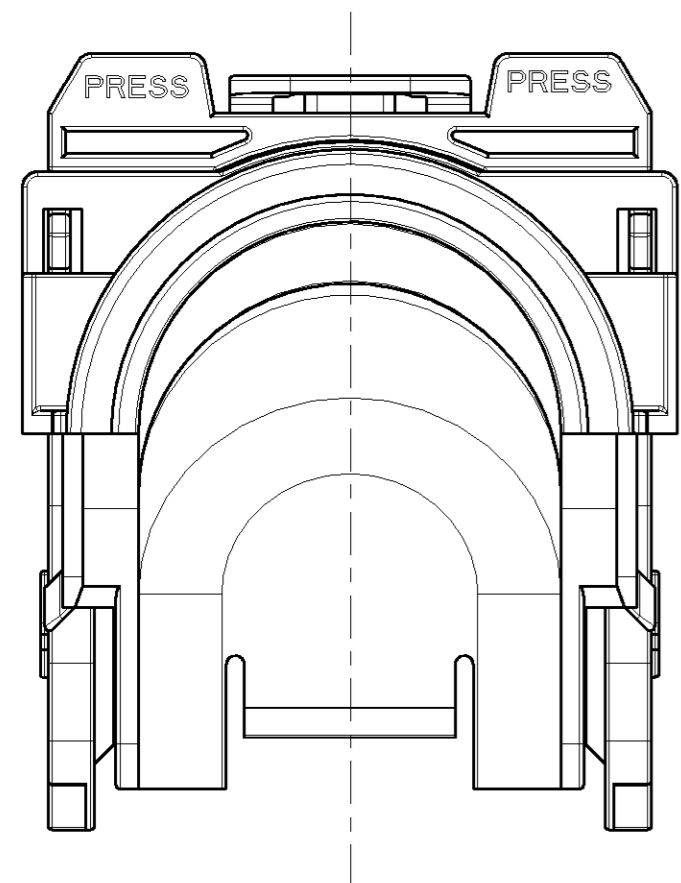
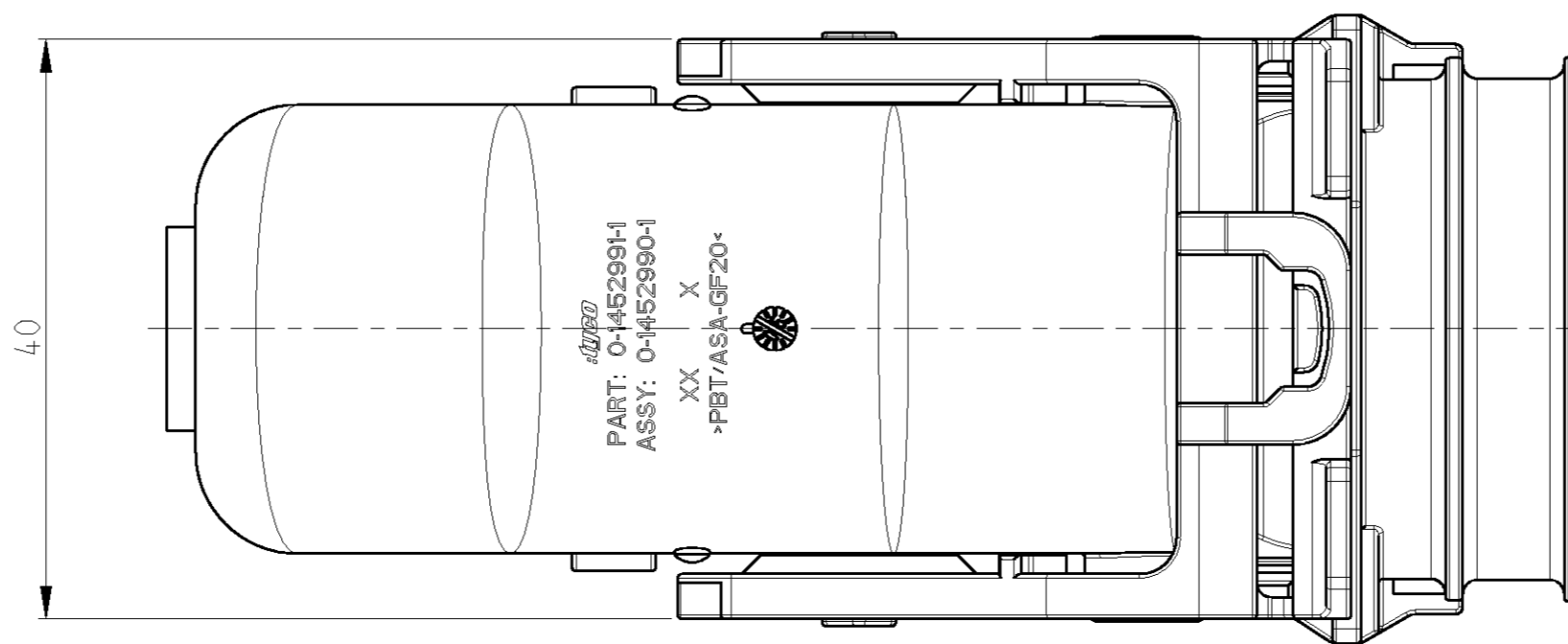


THIS DRAWING IS UNPUBLISHED. RELEASED FOR PUBLICATION 2003
 © COPYRIGHT 2003 BY TYCO ELECTRONICS CORPORATION. ALL RIGHTS RESERVED.

LOC	DIST	REVISIONS					
		P	LTR	DESCRIPTION	DATE	DWN	APVD
A1	-	A		EGA0-0388-05	30MAR2005	GP	GM
		A1		ECR-05-003941	03JUN2005	GP	GM
		B		ECR-06-009452	19APR2006	GP	GM



1:1



NOTES:
 Bemerkungen:
 ASSY DELIVERED WITH LEVER IN ENDLOCKPOSITION
 Anlieferungszustand: Hebel in Endraststellung

MATED WITH verwendet mit	1452931	1452995			
	1x	36/76POS. LEVER	PA6/GB20+GF10	RED	2
	1x	76POS. COVER	PBT/ASA-GF20	BLACK	1
	0-1452990-1	DESCRIPTION	MATERIAL	COLOUR	ITEM NO
	27.00				
	QTY REQD PER ASSY				

DIMENSIONS:		TOLERANCES UNLESS OTHERWISE SPECIFIED:		APPROVED:		tyco Electronics		tyco Electronics AMP GmbH		
mm		0 PLC	±0.5	DWN	G.PUCKEL	30MAR2005	D - 64625 Bensheim			
		1 PLC	±0.5	CHK	K.ROTH	30MAR2005	NAME			
		2 PLC	±0.5	APVD	G.MUMFEE	30MAR2005	76 POS. COVER ASSEMBLY			
		3 PLC	±	PRODUCT SPEC		-				
		4 PLC	±	APPLICATION SPEC		-				
MATERIAL		ANGLES	±°	WEIGHT		SIZE		CAGE CODE	DRAWING NO	RESTRICTED TO
-		FINISH		-		A2		-	G-1452990	-
				CUSTOMER DRAWING		SCALE		2:1	SHEET	1 OF 1
									REV	B