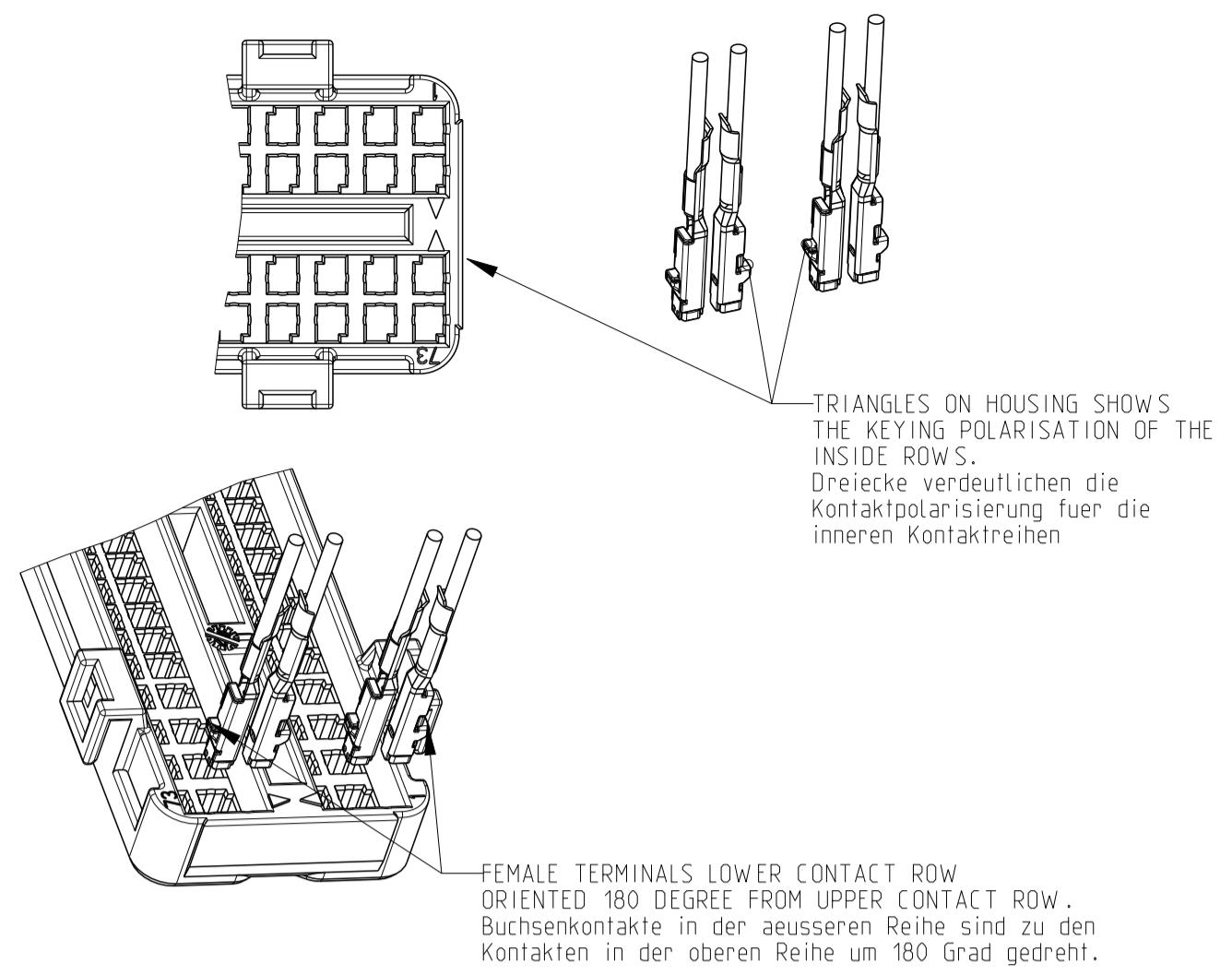
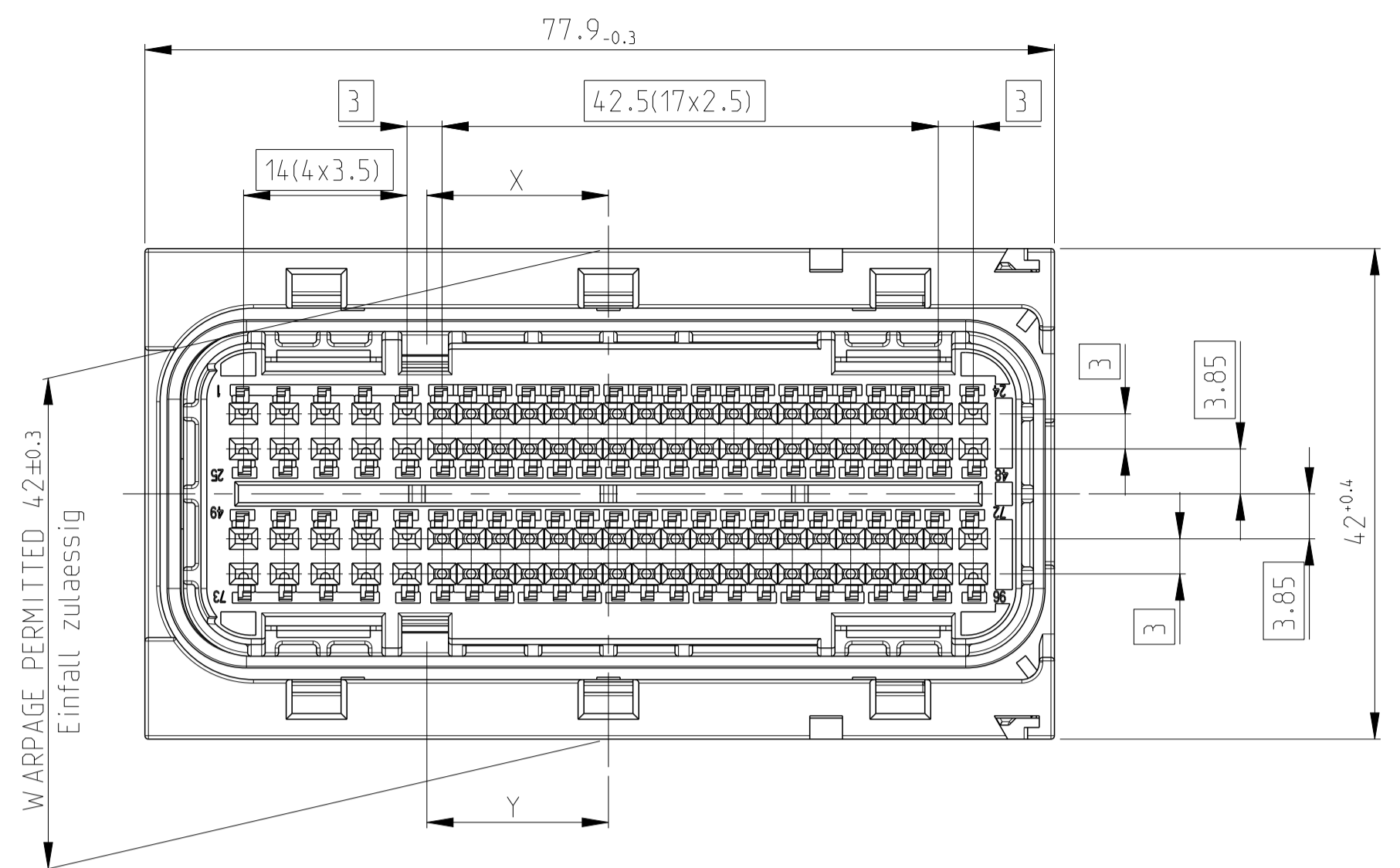
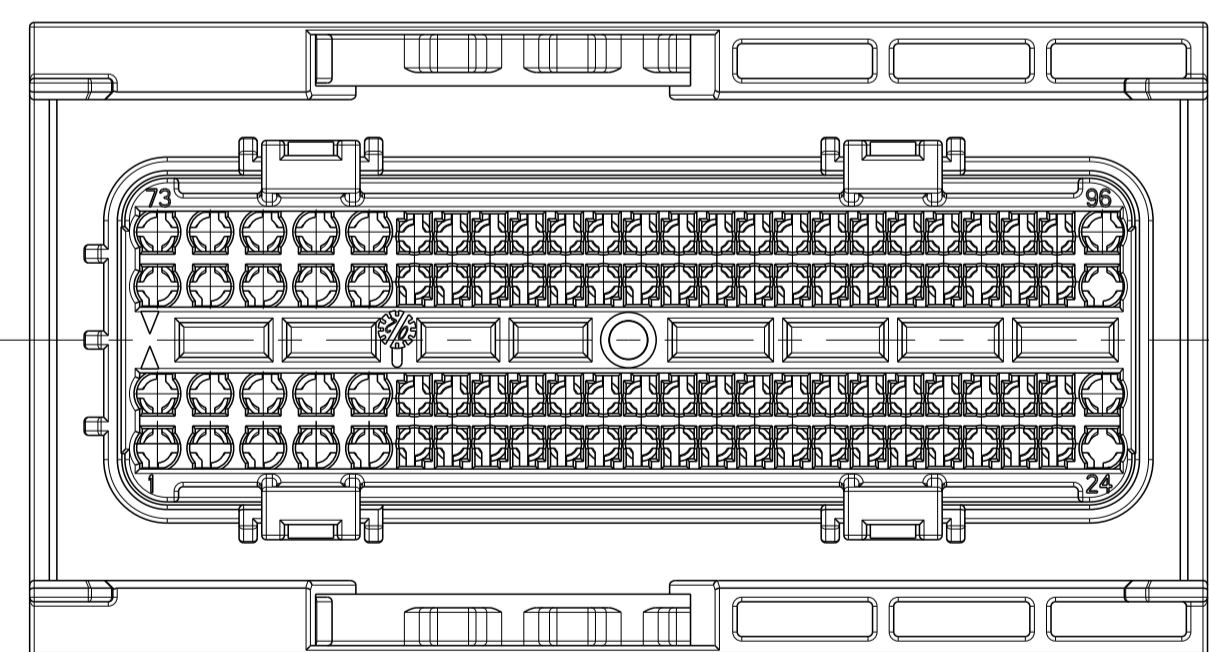
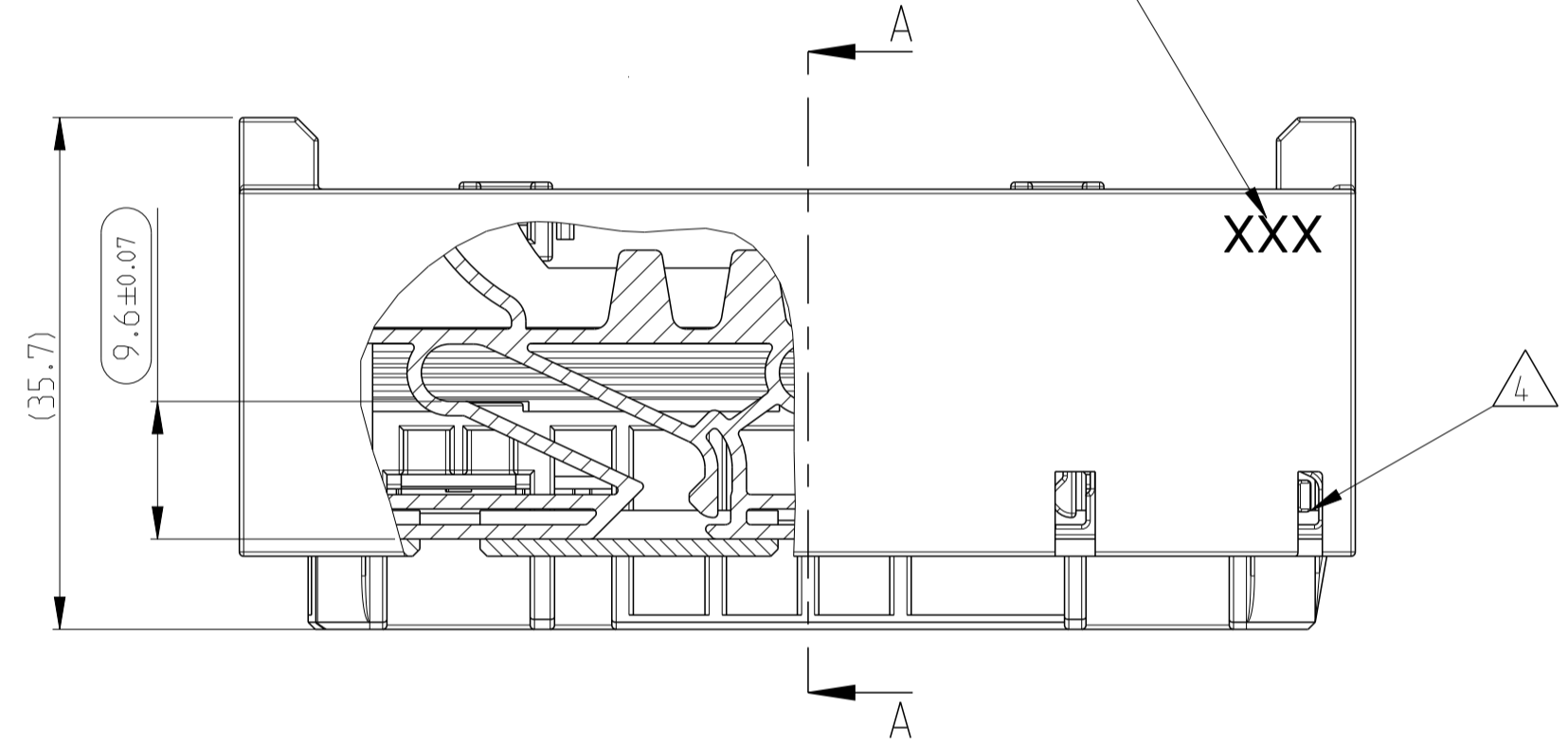
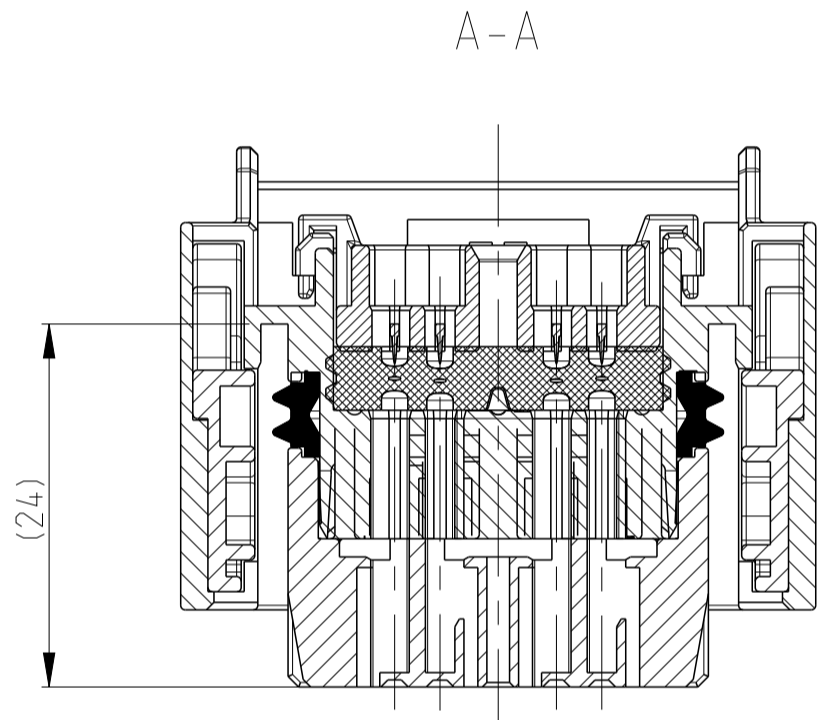


UP TO
1,5mm²
WIRE SIZE

-	-	-
A	15.7	15.7
CODING	X	Y



MARKING FOR PINOUT CONFIGURATION
SEE TAB SHEET 2
Markierung fuer Pinoutkonfiguration
siehe Tabelle Blatt 2



NOTES:
Bemerkungen:

ASSY. USED WITH PARTS:
Assy verwendet mit folgenden Teilen:
HEADER BOSCH: PN: 000 20633 614
HEADER TE: PN 0-1565428-1

THE HEADER IS NOT A PART OF THE DELIVERED ASSY.
Der Header ist kein Bestandteil der gelieferten ASSY.

MATED WITH:
Passend zu:
COVER PN: 1452389, 0-1452862-1
2-NDARY LOCK PN: 0-1452388-1
Kappe PN: 1452389, 0-1452862-1
2te Kontaktsicherung PN: 0-1452388-1

SEALING FUNCTION REQUIRES ONLY FOLLOWING WIRE SIZE DIAMETERS FOR THE SIGNAL TERMINALS:
Zur Sicherstellung der Dichtigkeit duerfen folgende Drahtquerschnitte bei den Signalkontakten verwendet werden:

- a) 0.5mm² - 0.75mm² = ISO Ø 1.4-1.9 mm FOR ALL WITH "X" MARKED CAVITIES. SEE PINOUT CONFIGURATION TABLE fuer alle markierten Felder mit "X" in der Pinbelegungstabelle
- b) 1.0mm² - 1.5mm² = ISO Ø 1.9-2.4mm FOR ALL WITH NUMBERED CAVITIES. SEE PINOUT CONFIGURATION TABLE fuer alle nummerierten Felder in der Pinbelegungstabelle

ASSY DELIVERED WITH SLIDES IN ENDOCK POSITION
Anlieferungszustand Schieber in Endraststellung

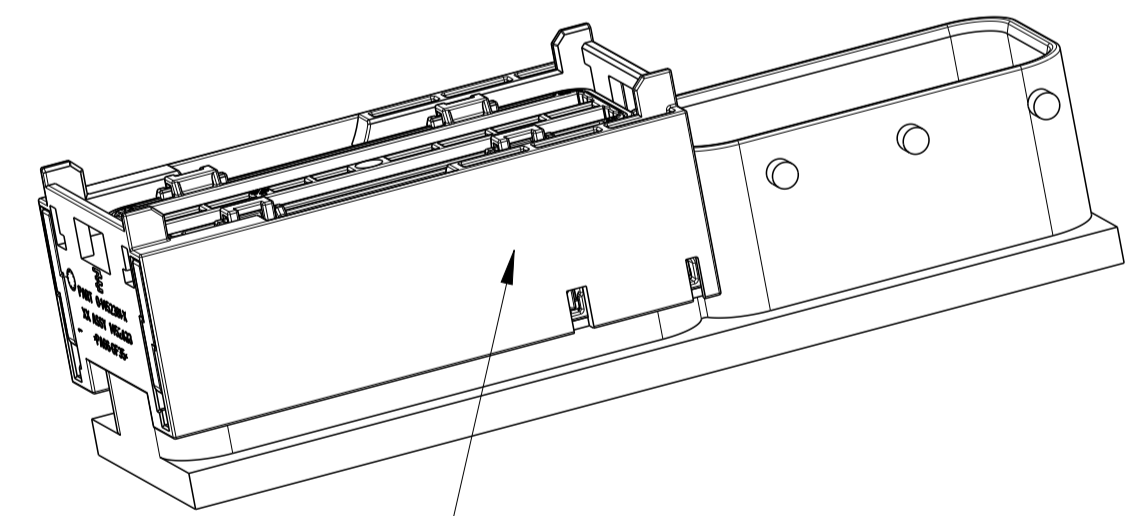
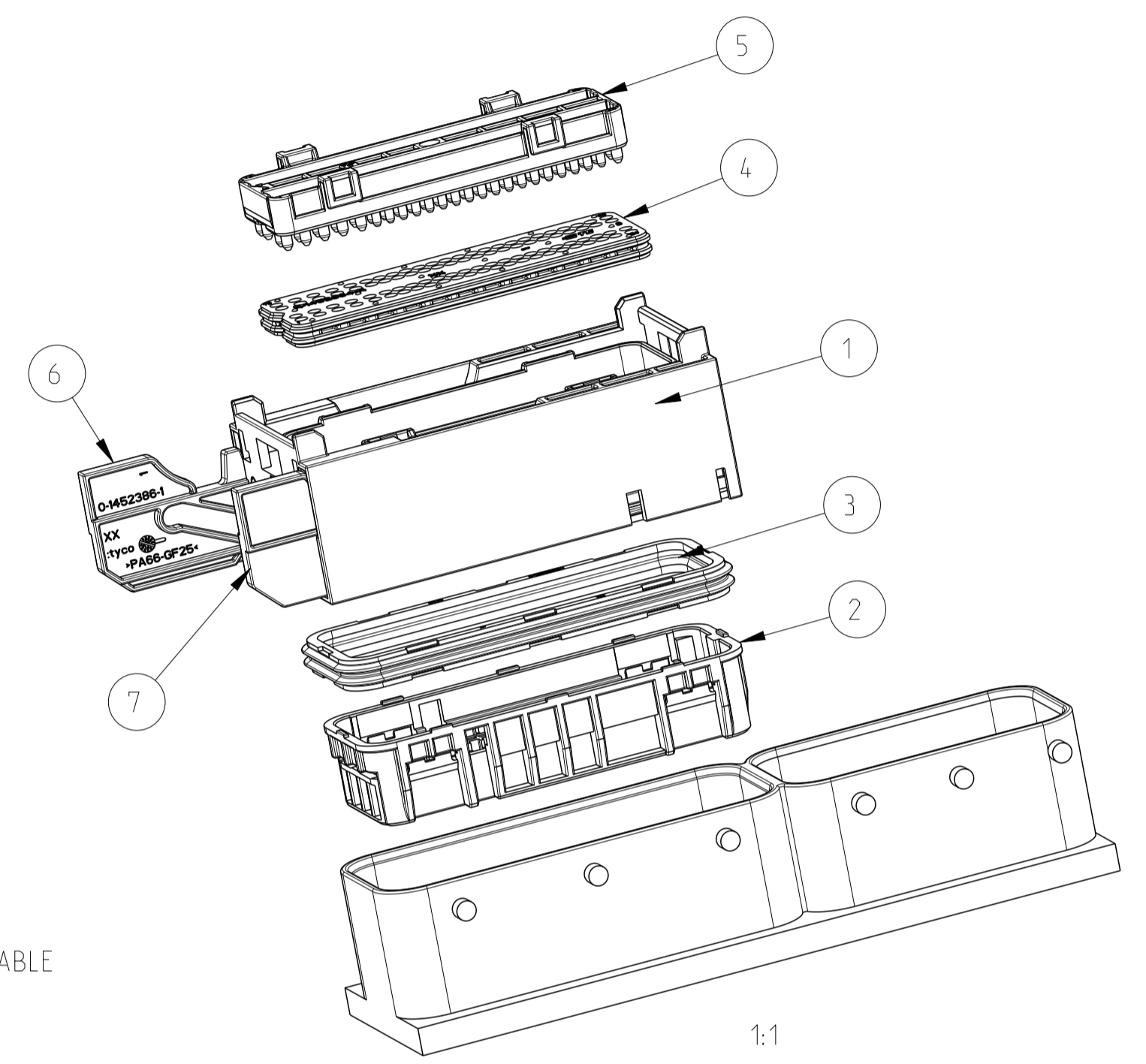
TE-PN SHOWN AS "NOT USED" WERE RAISED FOR THE CONNECTOR TE-PN: X-1452380-X
TE-Nr. mit "NOT USED" in der Pinbelegungstabelle werden verwendet im Stecker TE-Nr: X-1452380-X

TE-PN SHOWN AS "NOT USED" WERE RAISED FOR THE CONNECTOR TE-PN: X-1452419-X
TE-Nr. mit "NOT USED" in der Pinbelegungstabelle werden verwendet im Stecker TE-Nr: X-1452419-X

INSPECTION DIMENSION
Kontrollmasse

LOC	DIST	REVISIONS					
A1	-	P	LTN	DESCRIPTION	DATE	OWN	APVD
		K12		ECR-11-023947	25NOV2011	SH	GM
		L		ECR-11-005928	17JAN2012	PT	GM
		L1		ECR-12-005745	28MAR2012	SH	GM
		L2		ECR-13-008465	24MAY2013	SH	GM

QTY	RECD PER ASSY	ASSY NO	MATERIAL	DESCRIPTION	COLOUR	ITEM NO
1x		PA66-GF25		96 POS. PCM CON. SLIDE RIGHT	BLACK	7
1x		PA66-GF25		96 POS. PCM CON. SLIDE LEFT	BLACK	6
1x		PBT-GF20		96 POS. PCM CON. COVER FOR FAMILY SEAL	BLACK	5
1x		SILICONE		96 POS. PCM CON. FAMILY SEAL	GREY	4
1x		SILICONE		96 POS. PCM CON. PERIPHERAL SEAL	WHITE	3
1x		PA66-GF35		96 POS. PCM CON. CONTACT HOUSING	BLACK	2
1x		PA66-GF35		96 POS. PCM CON. FEMALE HOUSING	BLACK	1
70.00				WEIGHT OF EACH ASSY NO [g]		
PARTS LIST						



HOUSING IN ENDOCKED POSITION
WITHOUT COVER ASSEMBLY
Gehaeuse in Endraststellung,
ohne Kappenasszy

* 1394897 WILL BE REPLACED DURING NEXT YEAR BY 1670144
* 1394897 wird innerhalb eines Jahres ersetzt durch 1670144

TERMINALS TE PN	FINISH Oberflaeche	WIRE SIZE (mm ²) Drahtquerschnitt (mm ²)	NOTES Bemerkungen
0-1452503-3		1.0 - 1.5	
0-1670144-3 *	SILVER PLATED	0.5 - 0.75	
0-1534594-3		0.25 - 0.35	
0-1452503-2		1.0 - 1.5	
0-1670144-2 *	GOLD PLATED	0.5 - 0.75	
0-1534594-2		0.25 - 0.35	
0-1452503-1		1.0 - 1.5	
0-1670144-1 *	PRE-TIN	0.5 - 0.75	
0-1534594-1		0.25 - 0.35	

BLINDPLUG
Blindstopfen
0.75mm²
PN 1-1452424-1
BROWN / Braun
1.5mm²
PN 1-1452424-2
BLUE / Blau

THIS DRAWING IS A CONTROLLED DOCUMENT.

OWN: S.DENTER ZOSEP2002
CHK: S.DENTER ZOSEP2002
APVD: S.DENTER ZOSEP2002
E: NUMBER ZOSEP2002
PRODUCT SPEC

APPLICATION SPEC
116-18534-1

WEIGHT: -

CUSTOMER DRAWING

NAME: 96POS. RECEPTACLE HOUSING ASSEMBLY

SIZE: A1
CAGE CODE: 00779
DRAWING NO: 1452423

RESTRICTED TO: -

SCALE: 2:1
SHEET: 1 OF 2
REV: L2

TE Connectivity

