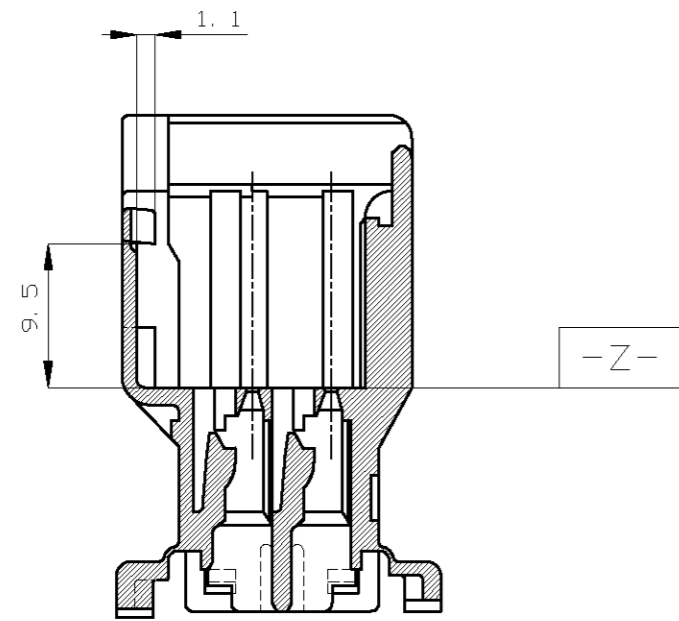
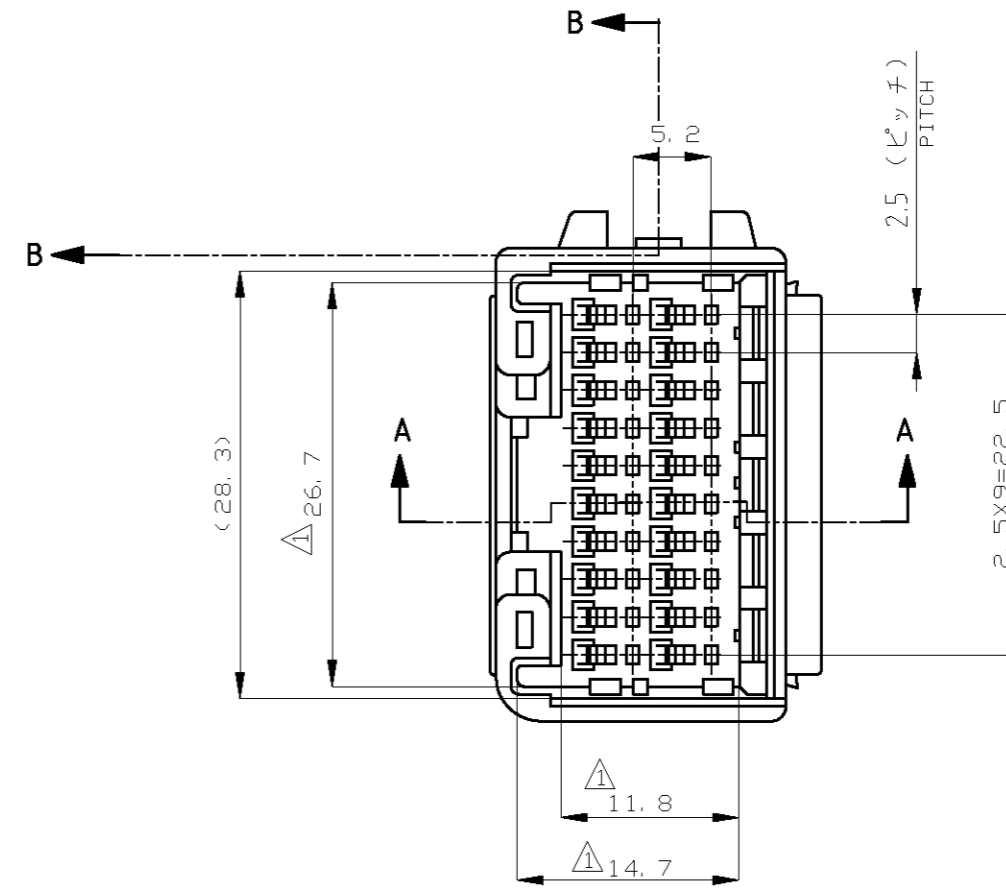
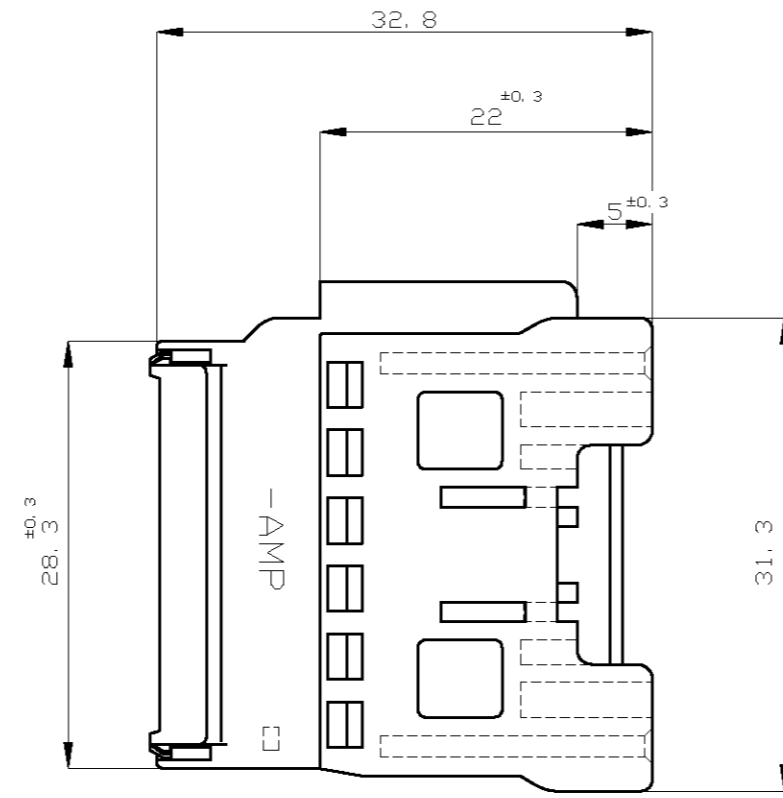
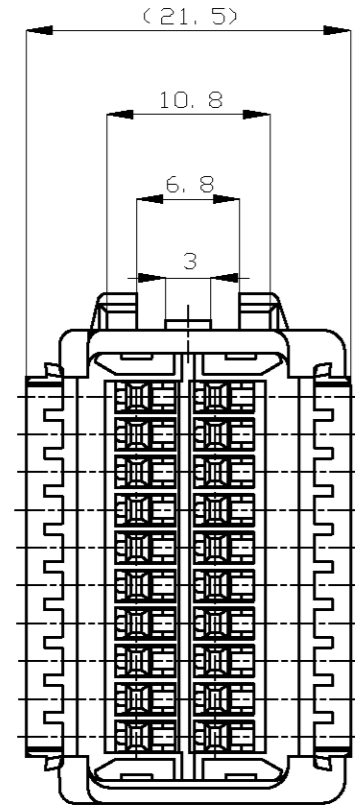
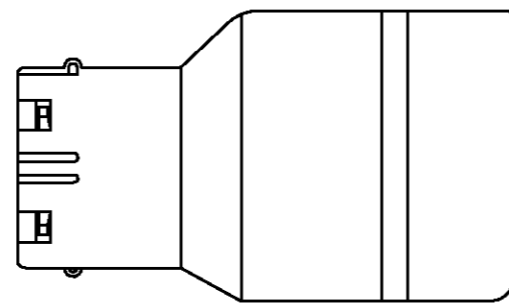
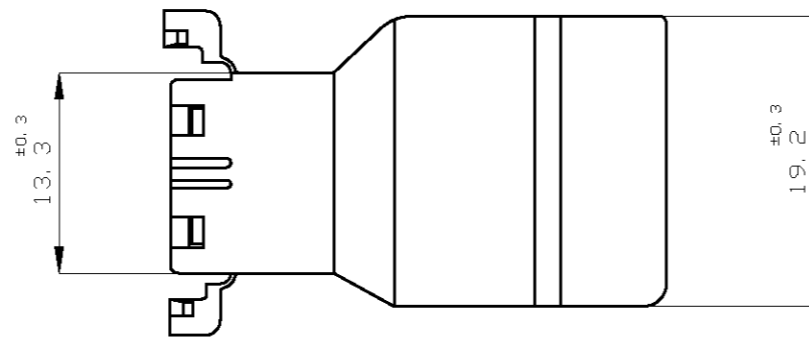


THIS DRAWING IS UNPUBLISHED. RELEASED FOR PUBLICATION
 © COPYRIGHT - By Tyco Electronics JAPAN G.K. ALL RIGHTS RESERVED.

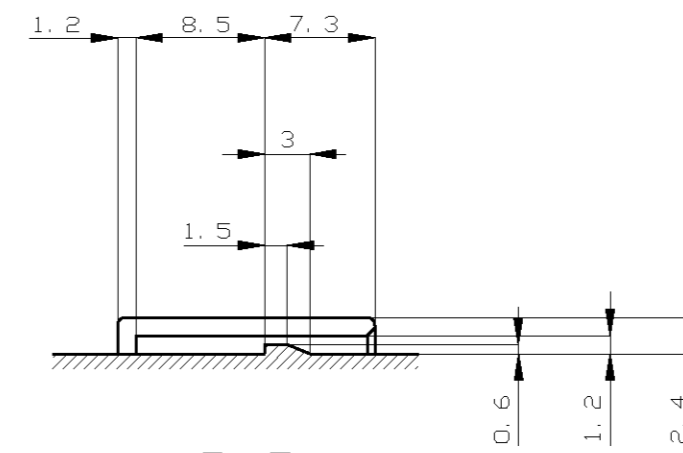
LOC	DIST	REVISIONS					
J	-	P	LTR	DESCRIPTION	DATE	DWN	APVD
		D3		REVISED	ECR-13-002015	26MAR2013	TS KB



A-A



二重ロック時
DOUBLE LOCKED



B-B

- 1. TO BE MEASURED WITHIN 2mm FROM -Z-
- 2. APPLICABLE TERMINAL NO. 173682
- 3. THE MATING PLUG HOUSING NUMBERS: 174047

- 1. -Z- 面から2mmの範囲で測定
- 2. 適用端子型番: 173682
- 3. 嵌合相手ハウジング型番: 174047

OBSOLETE	青 (BLUE)	175652-5
	緑 (GREEN)	175652-4
	黒 (BLACK)	175652-2
	色 (COLOR)	製品型番 (PART NO.)

TOLERANCE UNLESS OTHERWISE SPECIFIED:
一般公差

0 < x <= 10	: ±0.2
10 < x <= 30	: ±0.25
30 < x <= 100	: ±0.3
角度	: ±3°

THIS DRAWING IS A CONTROLLED DOCUMENT.

DWN	M.SUGAWARA	04AUG06
CHK	K.BETSUI	04AUG06
APVD	K.BETSUI	04AUG06
PRODUCT SPEC	製品規格	108-5352
APPLICATION SPEC	取付適用規格	-

MATERIAL: PBT FINISH: 仕上

SIZE	A2	CAGE CODE	00779	DRAWING NO	C=175652	RESTRICTED TO	-
SCALE	2:1	SHEET	1 of 1	REV	D3		

CUSTOMER DRAWING