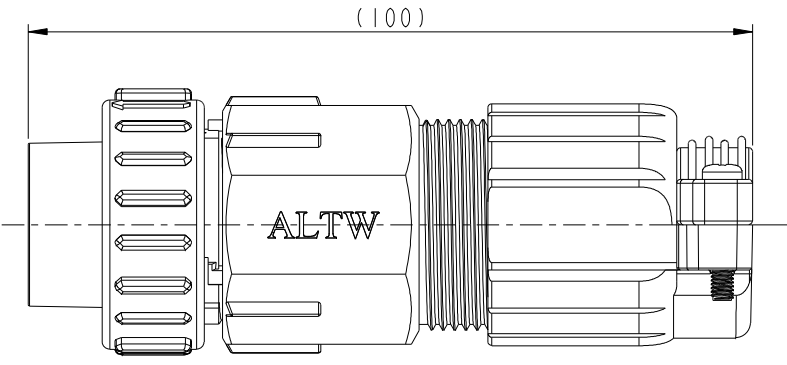
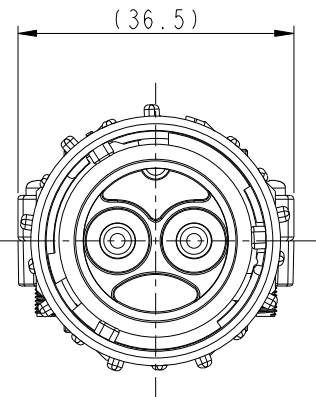
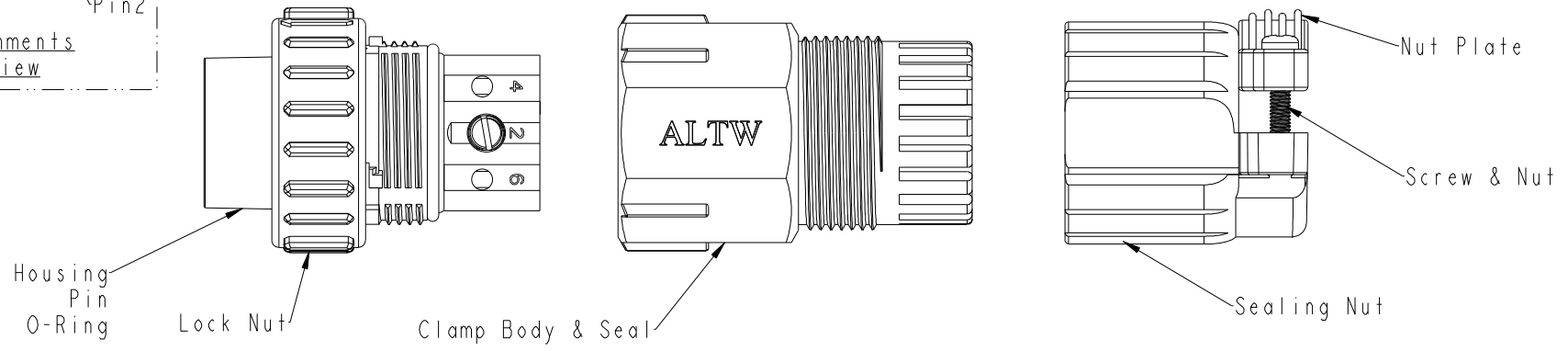
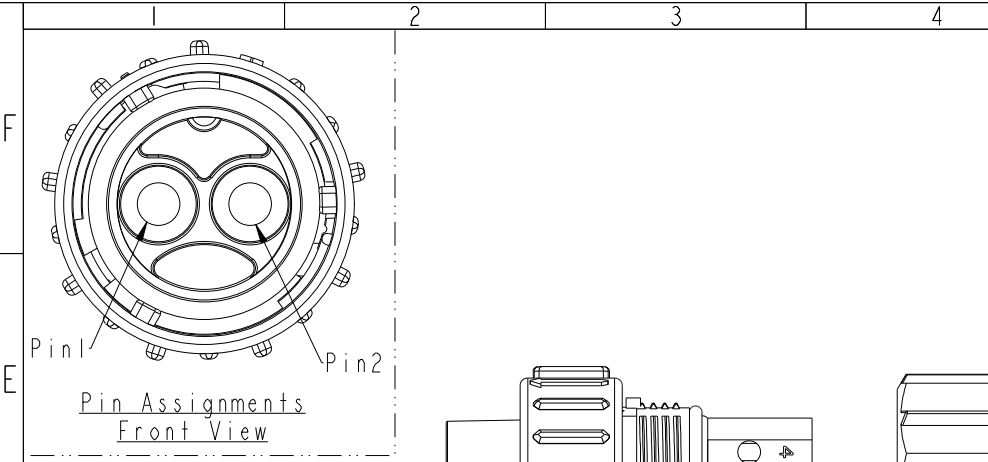


THIS DOCUMENT IS SUBJECT TO CHANGE WITHOUT NOTICE. IT IS CONFIDENTIAL AND A PROPERTY OF AMPHENOL LTW. DISCLOSURE TO THIRD PARTY HAS TO BE AUTHORIZED BY AMPHENOL LTW.

REV.	ECN NO.	DATE	SIGN	DESCRIPTION
A		2019/11/27	NianPing Yu	New initial



- Notes:
- * Waterproof Rate: IP67(Mated).
 - * Housing: Thermoplastic, Black.
 - * Pin: Copper Alloy, Gold Plated
 - * O-Ring: Rubber.
 - * Lock Nut: Thermoplastic, Black.
 - * Clamp Body: Thermoplastic, Black.
 - * Seal: Rubber.
 - * Sealing Nut: Thermoplastic, Black.
 - * Nut Plate: Thermoplastic, Black.
 - * Screw&Nut: Metal.
 - * Other:
- Recommended Cable OD: $\varnothing 14.5 \sim \varnothing 19.0 \text{mm}$.
 Recommended Wire Spec:
 Conductor: 8 AWG-9 AWG($8.37 \text{mm}^2 \sim 6.63 \text{mm}^2$)
 Insulation OD: 6.8mm Max.
 Current Rating: 50A.
 Voltage Rating: 600V.

A	UNIT:mm		TITLE PWR 50A 02P CABLE W/O SR F M FI SCREW IN 3LOCK		<h1>Amphenol LTW</h1> 安費諾亮泰企業股份有限公司	ITEM NO	DRAWN BY	DATE		
	TOLERANCE $\pm 0.5 \text{ mm}$		SCALE 1:1	SIZE A4		SHEET 1	OF 1	PWM-02BFMB-TL7001	NianPing Yu	2019/11/27
	REV. A		WC-REV. .0	QC: Inspection item		CUSTOMER ALTW	APPROVED BY Max Yang	PWM-02BFMB-TL7001	Fisher Wang	2019/11/27
								DATE 2019/11/27		