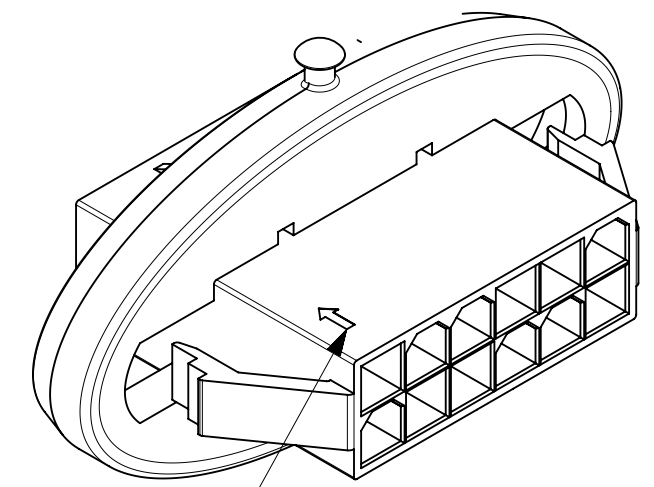
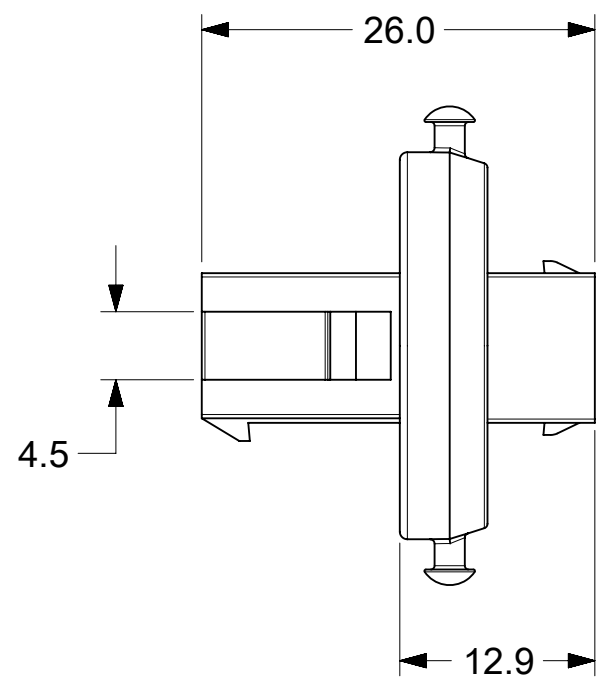
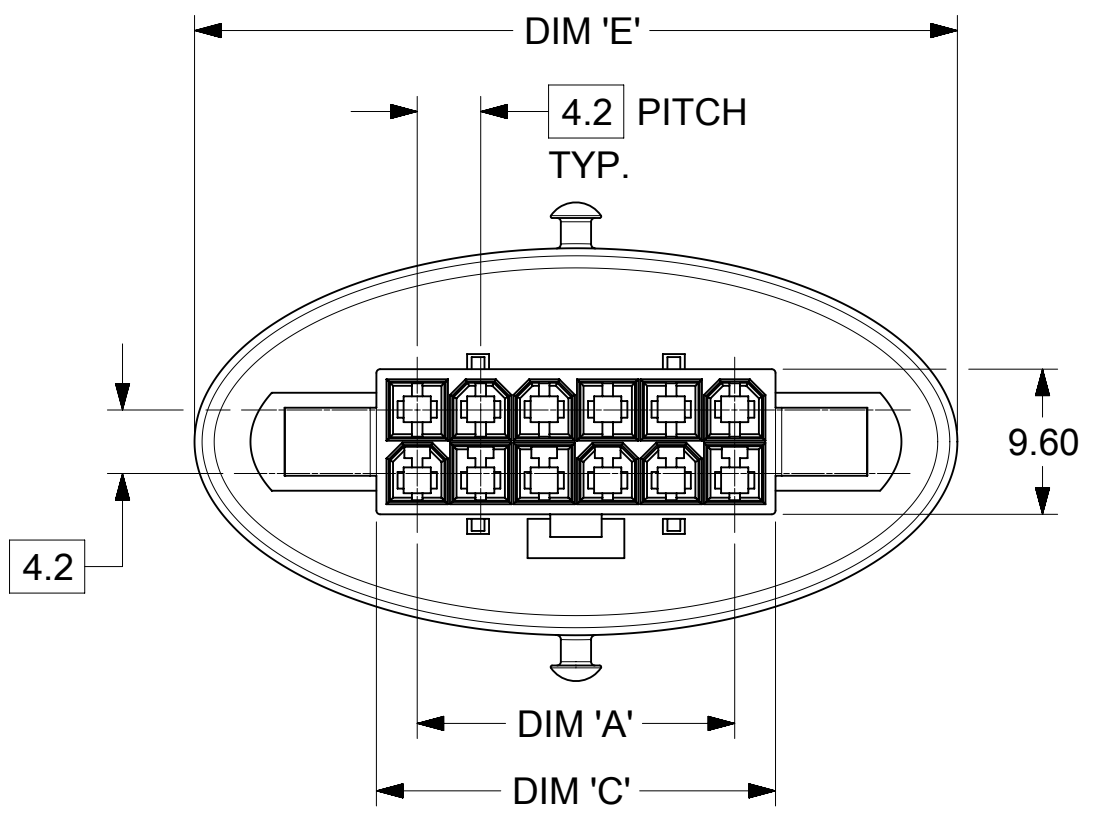


RECOMMENDED PANEL CUT-OUT SHOWN FOR 12CKT, 0.89-2.00 THICK PANEL  
 PANEL CUTOOUT TOLERANCES ±0.10  
 SHOWN FROM MATING SIDE



CKT 1 IDENTIFICATION

\* UNDER DEVELOPMENT

- NOTE:
1. MATERIAL: NYLON PA66, UL94V-0  
COLOR: NATURAL
  2. PRODUCT SPECIFICATION: 2070170000-PS  
APPLICATION SPECIFICATION: 2070170000-AS
  3. PACKAGING SPECIFICATION: 2070170000-PK
  4. THIS HOUSING TO BE USED WITH MALE TERMINAL SERIES 172765,  
TPA PN 172709200X, SIGMA SEAL COVER 207019.
  5. TPA IS OPTIONAL FOR THIS PRODUCT.
  6. THIS PART MATES WITH SERIES 5557,46992 & 172708.
  7. WIRES TO BE DRESSED IN SUCH A MANNER TO ALLOW TERMINALS TO FLOAT  
FREELY IN THE POCKET.
  8. CONNECTORS ARE NOT TO BE MATED OR UNMATED WHILE CIRCUITS ARE LIVE.
  9. PART CONFORMS TO CLASS "B" REQUIREMENTS OF COSMETIC SPECIFICATION  
PS-45499-002.
  10. TEXT ON PART IS FOR REFERENCE ONLY. TEXT AND TEXT LOCATION MAY VARY.

PLUG PART NUMBER	CKT	A	C	D	E
2070170018*	18	33.6	39.0	51.2	63.0
2070170016*	16	29.4	34.8	47.0	58.8
2070170014	14	25.2	30.6	42.8	54.6
2070170012	12	21.0	26.4	38.6	50.4
2070170010	10	16.8	22.2	34.4	46.2
2070170008	8	12.6	18.0	30.2	42.0
2070170006*	6	8.4	13.8	26.0	37.8
2070170004*	4	4.2	9.6	21.8	33.6

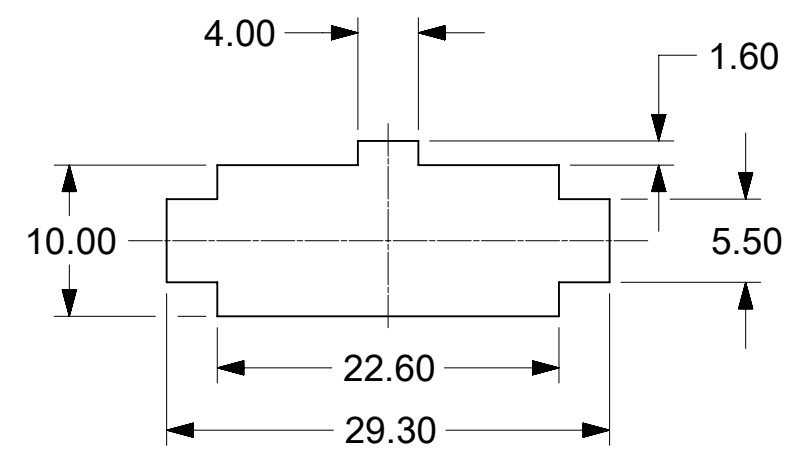
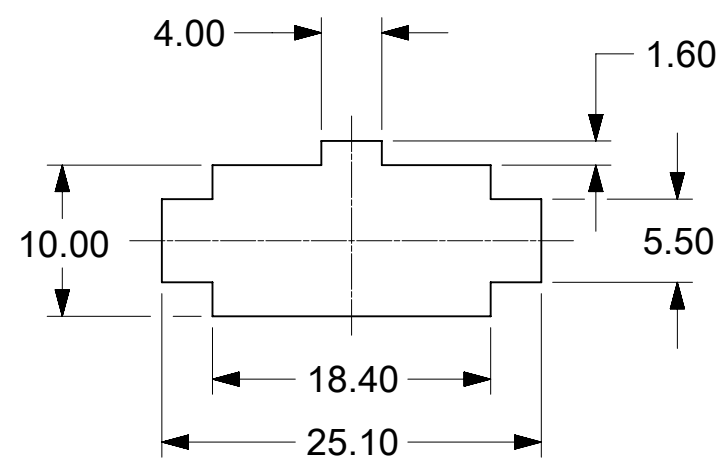
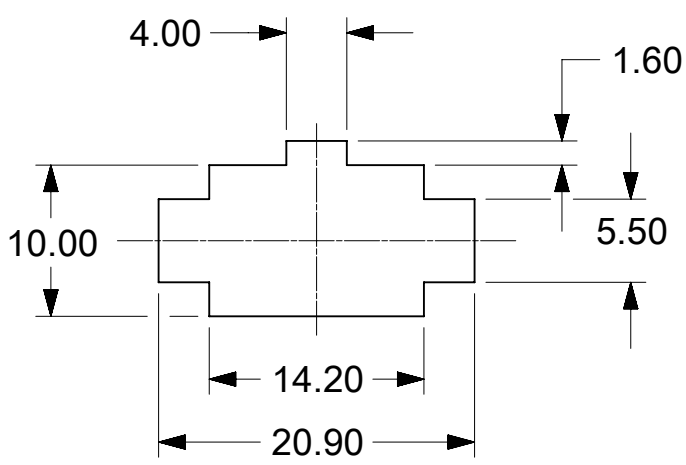
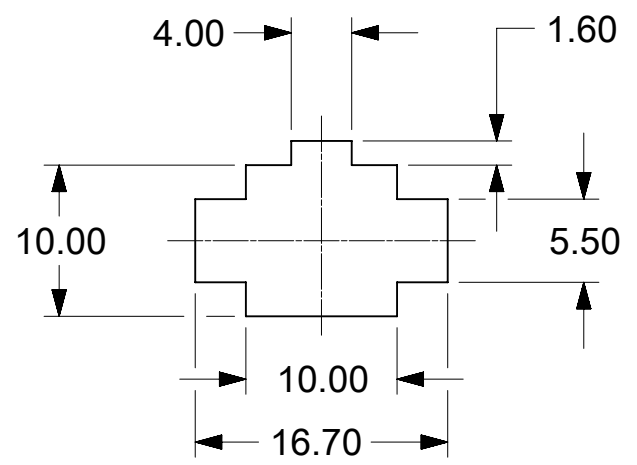
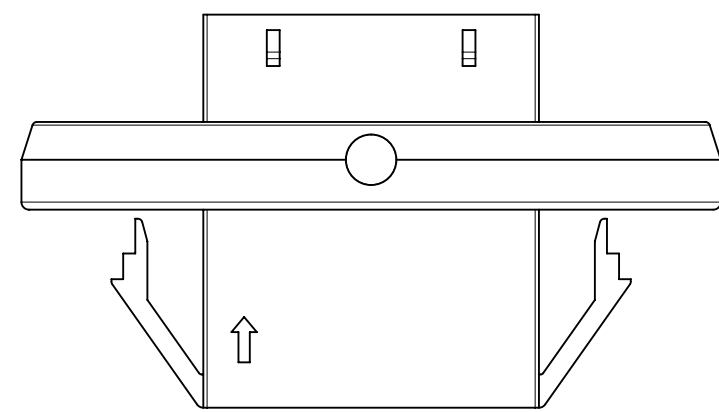
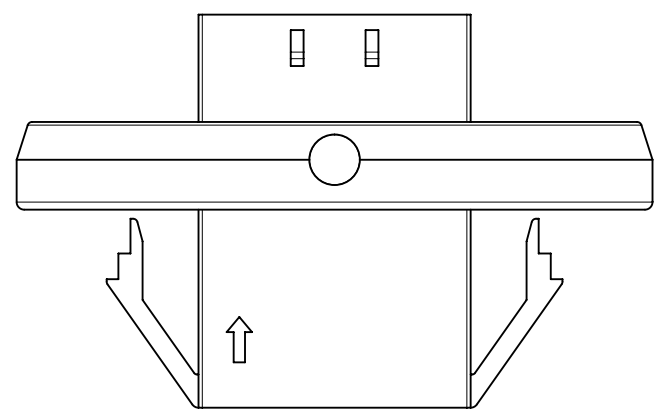
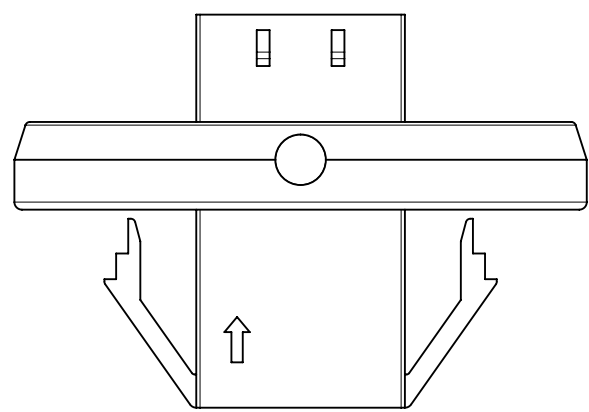
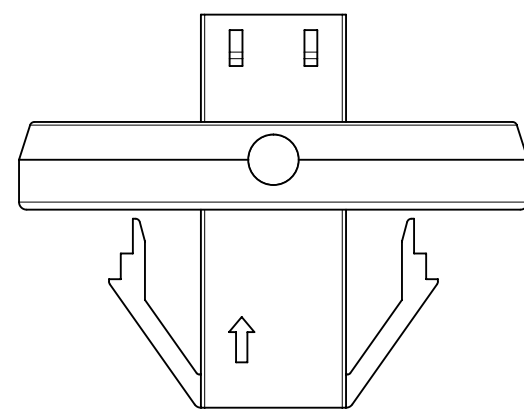
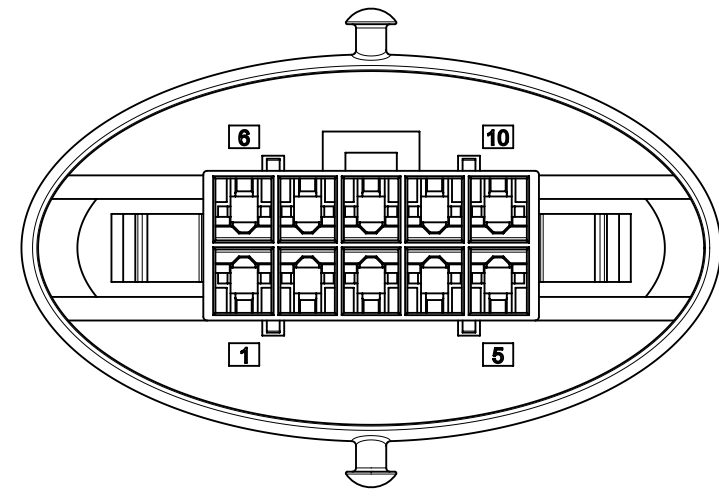
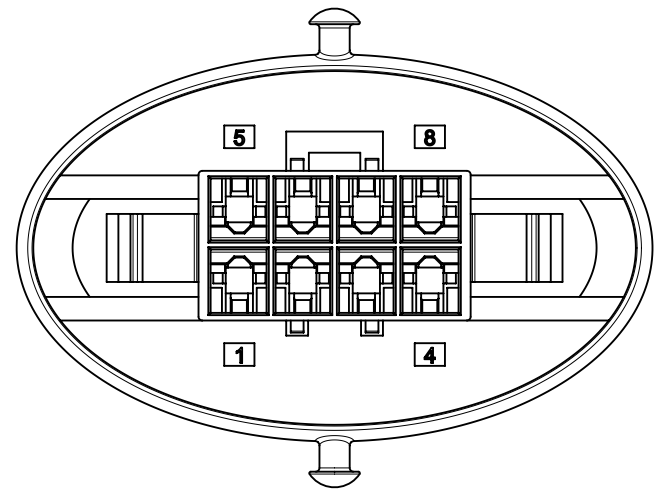
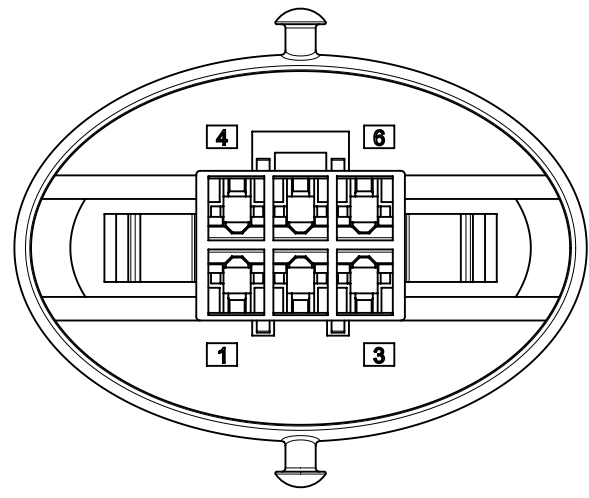
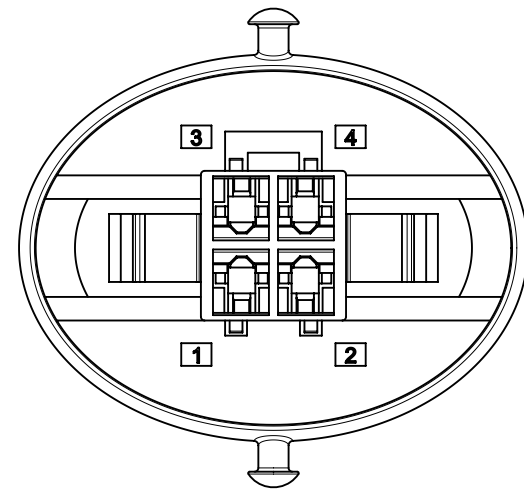
THIS DRAWING CONTAINS INFORMATION THAT IS PROPRIETARY TO MOLEX ELECTRONIC TECHNOLOGIES, LLC AND SHOULD NOT BE USED WITHOUT WRITTEN PERMISSION		CURRENT REV DESC: 2D UPDATED		<b>molex</b>	
DIMENSION UNITS <b>mm</b>	SCALE <b>2:1</b>				
GENERAL TOLERANCES (UNLESS SPECIFIED)		EC NO: 629453		MINI-FIT SIGMA SEALED PLUG HOUSING	
ANGULAR TOL	± 0.5°	DRWN: GGUNAGI 2019/12/19			
4 PLACES	±	CHK'D: NCSR 2020/01/09		PRODUCT CUSTOMER DRAWING	
3 PLACES	±	APPR: NCSR 2020/01/09			
2 PLACES	± 0.25	INITIAL REVISION:		DOCUMENT NUMBER <b>2070170000-SD</b>	
1 PLACE	± 0.35	DRWN: GGUNAGI 2019/07/02			
0 PLACES	±	APPR: NCSR 2019/09/18		DOC TYPE	DOC PART
DRAFT WHERE APPLICABLE MUST REMAIN WITHIN DIMENSIONS		THIRD ANGLE PROJECTION	DRAWING	SERIES	REVISION
			<b>B-SIZE</b>	<b>207017</b>	<b>C</b>
		MATERIAL NUMBER	CUSTOMER	SHEET NUMBER	
		SEE TABLE	GENERAL MARKET	1 OF 3	

4 CKT

6 CKT

8 CKT

10 CKT



RECOMMENDED PANEL CUT-OUTS FOR 0.89-2.00 THICK PANEL  
 PANEL CUTOUT TOLERANCES ±0.10  
 SHOWN FROM MATING SIDE

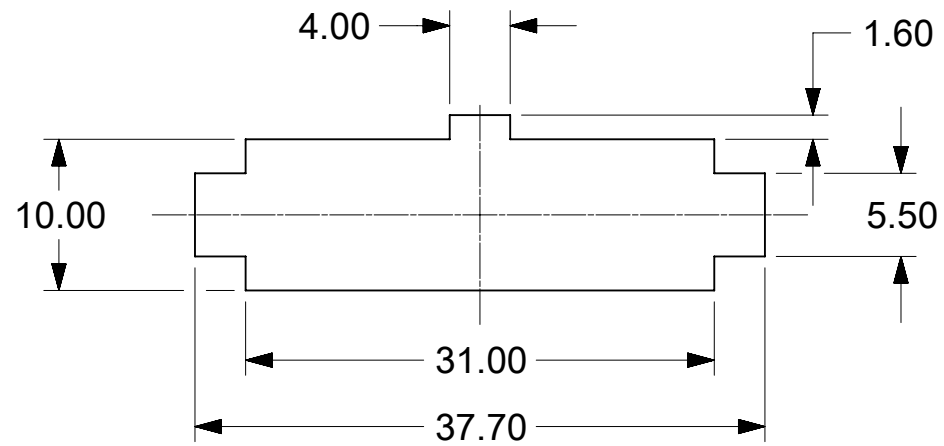
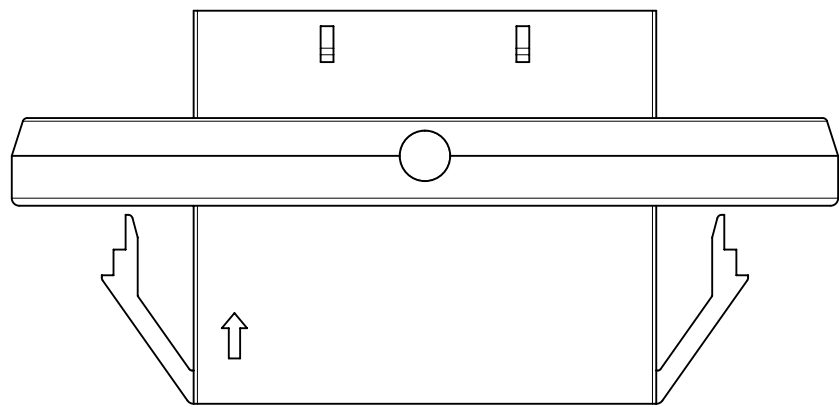
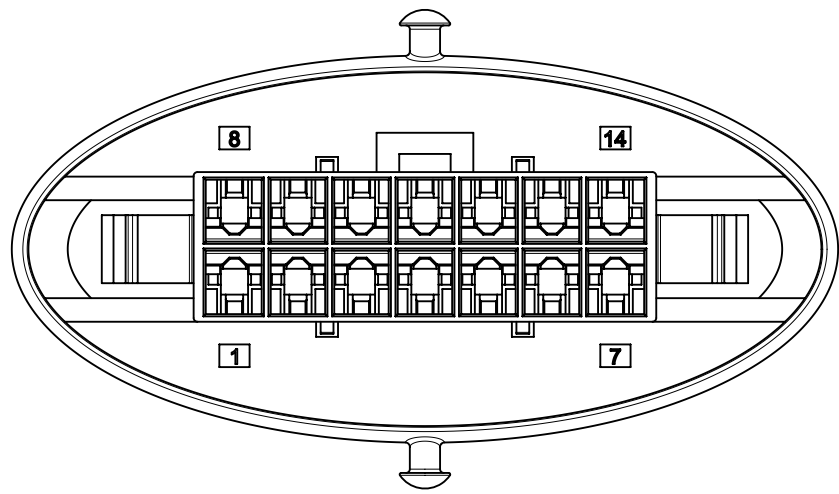
NOTES  
 1. DIMENSIONS SHOWN ONLY APPLY TO CIRCUIT SIZE SHOWN, SEE SHEET 1 FOR ALL OTHER APPLICABLE DIMENSIONS.

THIS DRAWING CONTAINS INFORMATION THAT IS PROPRIETARY TO MOLEX ELECTRONIC TECHNOLOGIES, LLC AND SHOULD NOT BE USED WITHOUT WRITTEN PERMISSION																																		
DIMENSION UNITS		SCALE		CURRENT REV DESC: 2D UPDATED																														
mm		2:1		<table border="1"> <tr> <td colspan="3"><b>molex</b></td> </tr> <tr> <td colspan="3">MINI-FIT SIGMA SEALED PLUG HOUSING</td> </tr> <tr> <td colspan="3">PRODUCT CUSTOMER DRAWING</td> </tr> <tr> <td>DOCUMENT NUMBER</td> <td>DOC TYPE</td> <td>DOC PART</td> <td>REVISION</td> </tr> <tr> <td>2070170000-SD</td> <td>PSD</td> <td>000</td> <td>C</td> </tr> <tr> <td>MATERIAL NUMBER</td> <td>CUSTOMER</td> <td colspan="2">SHEET NUMBER</td> </tr> <tr> <td>SEE TABLE</td> <td>GENERAL MARKET</td> <td colspan="2">2 OF 3</td> </tr> </table>						<b>molex</b>			MINI-FIT SIGMA SEALED PLUG HOUSING			PRODUCT CUSTOMER DRAWING			DOCUMENT NUMBER	DOC TYPE	DOC PART	REVISION	2070170000-SD	PSD	000	C	MATERIAL NUMBER	CUSTOMER	SHEET NUMBER		SEE TABLE	GENERAL MARKET	2 OF 3	
<b>molex</b>																																		
MINI-FIT SIGMA SEALED PLUG HOUSING																																		
PRODUCT CUSTOMER DRAWING																																		
DOCUMENT NUMBER	DOC TYPE	DOC PART	REVISION																															
2070170000-SD	PSD	000	C																															
MATERIAL NUMBER	CUSTOMER	SHEET NUMBER																																
SEE TABLE	GENERAL MARKET	2 OF 3																																
GENERAL TOLERANCES (UNLESS SPECIFIED)																																		
ANGULAR TOL ± 0.5°																																		
4 PLACES ±																																		
3 PLACES ±																																		
2 PLACES ± 0.25																																		
1 PLACE ± 0.35																																		
0 PLACES ±																																		
DRAFT WHERE APPLICABLE MUST REMAIN WITHIN DIMENSIONS																																		
THIRD ANGLE PROJECTION		DRAWING		SERIES		MATERIAL NUMBER		CUSTOMER																										
		B-SIZE		207017		SEE TABLE		GENERAL MARKET																										

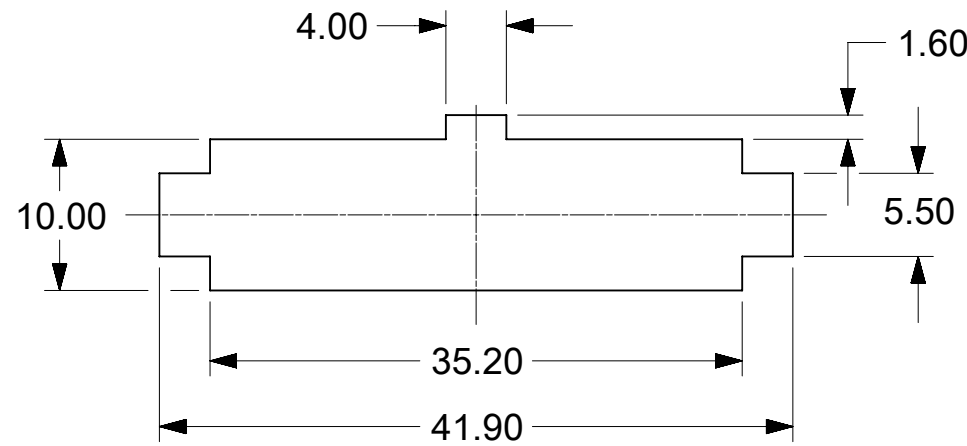
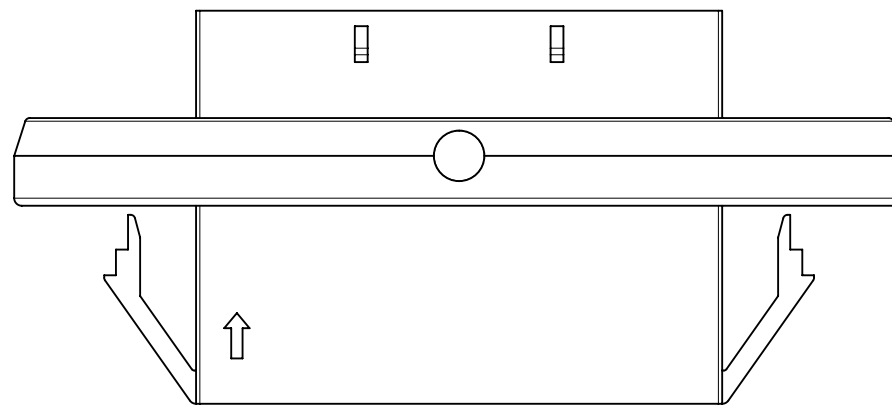
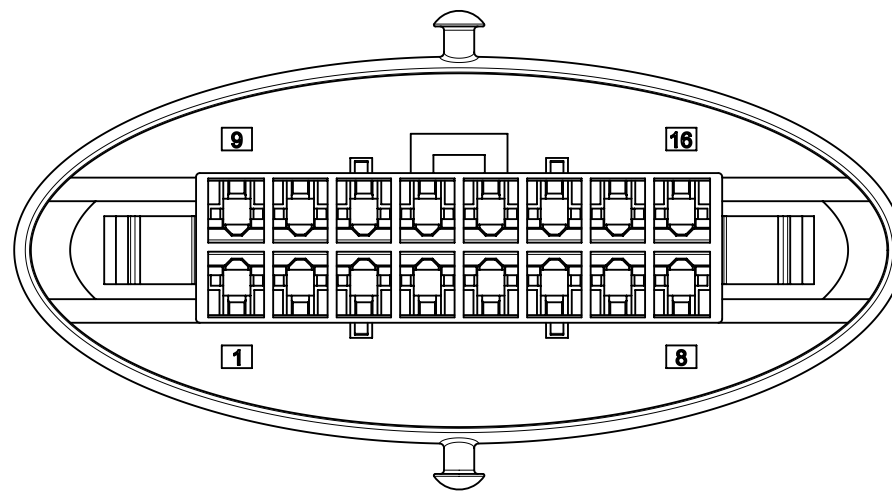
10 9 8 7 6 5 4 3 2 1

F  
E  
D  
C  
B  
A

14 CKT

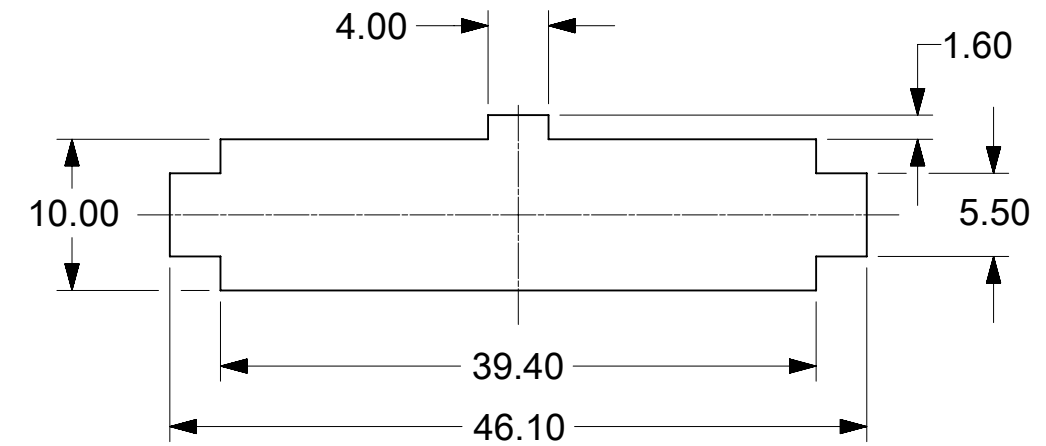
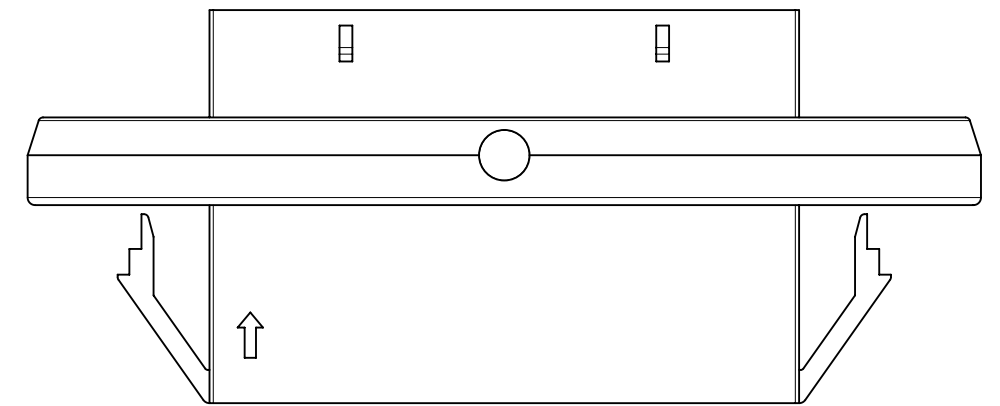
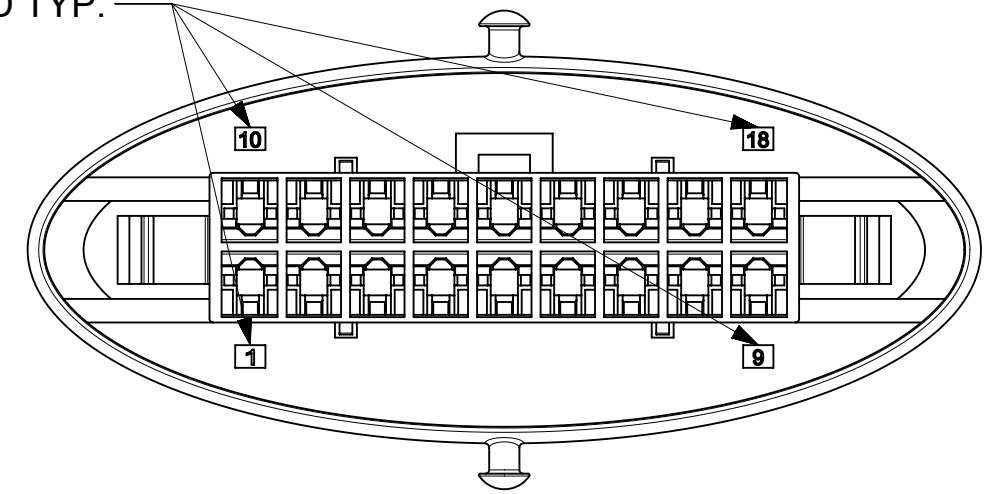


16 CKT



CKT ID TYP.

18 CKT



RECOMMENDED PANEL CUT-OUTS FOR 0.89-2.00 THICK PANEL  
 PANEL CUTOUT TOLERANCES ±0.10  
 SHOWN FROM MATING SIDE

NOTES  
 1. DIMENSIONS SHOWN ONLY APPLY TO CIRCUIT  
 SIZE SHOWN, SEE SHEET 1 FOR ALL OTHER  
 APPLICABLE DIMENSIONS.

THIS DRAWING CONTAINS INFORMATION THAT IS PROPRIETARY TO MOLEX ELECTRONIC TECHNOLOGIES, LLC AND SHOULD NOT BE USED WITHOUT WRITTEN PERMISSION										
DIMENSION UNITS	SCALE	CURRENT REV DESC: 2D UPDATED								
mm	2:1									
GENERAL TOLERANCES (UNLESS SPECIFIED)										
ANGULAR TOL	± 0.5°									
4 PLACES	±									
3 PLACES	±									
2 PLACES	± 0.25									
1 PLACE	± 0.35	EC NO: 629453	2019/12/19		MINI-FIT SIGMA SEALED PLUG HOUSING PRODUCT CUSTOMER DRAWING					
0 PLACES	±	DRWN: GGUNAGI	2019/07/02							
DRAFT WHERE APPLICABLE MUST REMAIN WITHIN DIMENSIONS		THIRD ANGLE PROJECTION	DRAWING	SERIES	MATERIAL NUMBER	CUSTOMER	DOCUMENT NUMBER	DOC TYPE	DOC PART	REVISION
			B-SIZE	207017	SEE TABLE	GENERAL MARKET	2070170000-SD	PSD	000	C
										SHEET NUMBER
										3 OF 3

10 9 8 7 6 5 4 3 2 1