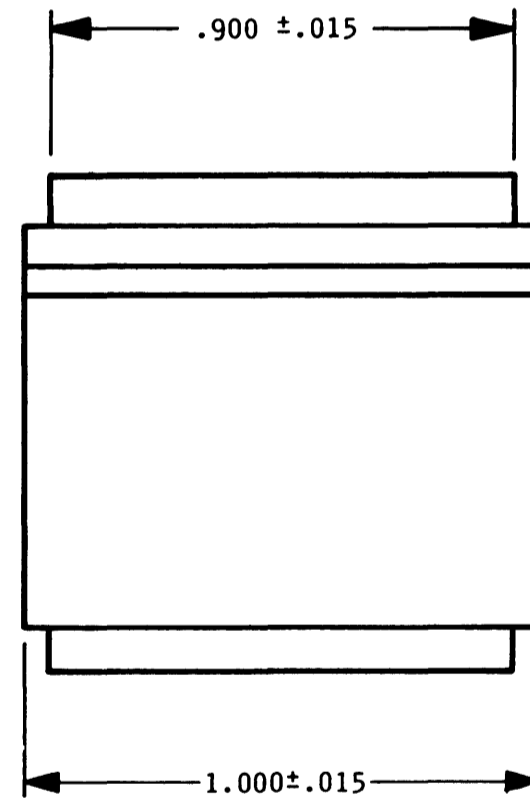
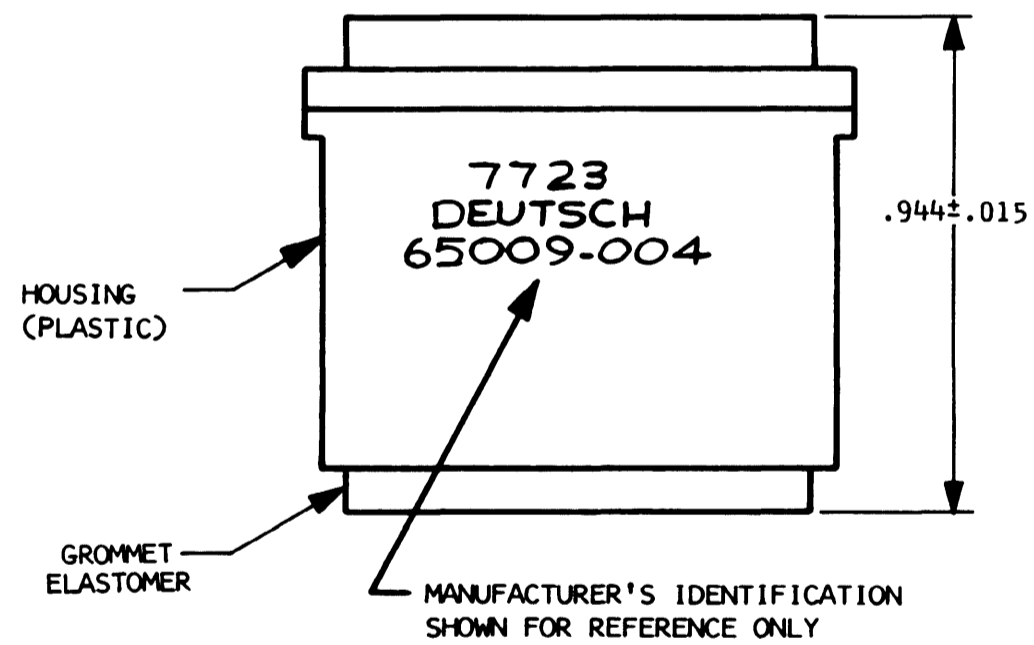
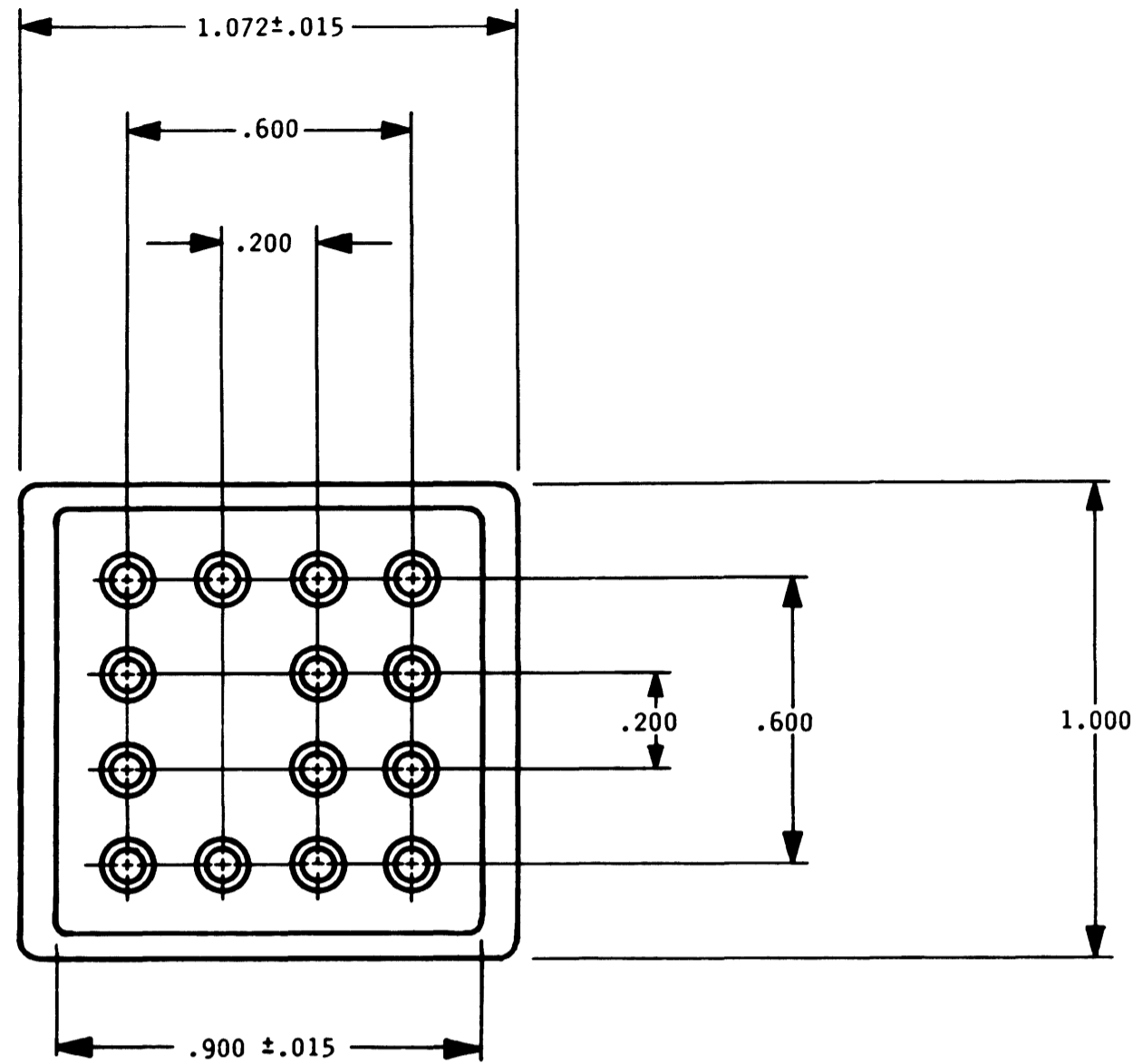
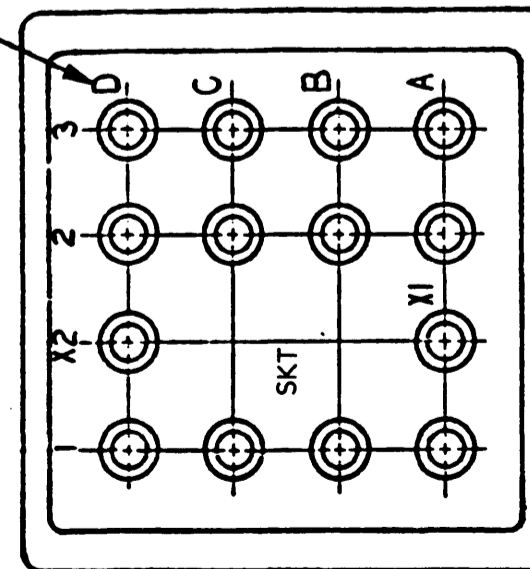


REVISIONS			
SYM	DESCRIPTION	DATE	APPROVED
N/C	NEW RELEASE PER E.O. 84066	7-8-77	JDM



CONTACT CAVITY IDENTIFICATION GROMMET SIDE



REV	DESCRIPTION
N/C	65009-004

4. MODULE TOOL PART NO. CTJ-R06.
3. MODULE TO BE USED WITH H-RAIL, PART NO. 65008-****.
2. RELAY SOCKET PART NUMBER BREAKDOWN (REF.).

65009 - 004
 RELAY SOCKET SERIES IDENTIFIER
 CONTACT ARRANGEMENT DESIGNATOR

1. SOCKET CONTACT PART NUMBER M39029/22-16-16 (SEE DRAWING 1625-1-0000).
 SEALING PLUG PART NUMBER M81511/39-16.
 CONTACT INSERTION/REMOVAL TOOL PART NUMBER M83723-31-16 (SEE DRAWING M15570-****).

NOTE:

SIGNATURE & DATE	
DR	John Nott 6-23-77
CHK	Paul H. Higgins 7-1-77
PE	J. MACDONALD 6-28-77
APPD	
SCALE	NONE
WT	

RELAY SOCKET ASSEMBLY
 4 POLE
 COMMON TERMINATION SYSTEM

ENVELOPE

CP	MATL CODE
	16
The Deutsch Company ELECTRONIC COMPONENTS DIVISION Municipal Airport Banning, California	
C	65009-004
DWG SIZE	CODE 11139 SHEET 1 OF 1