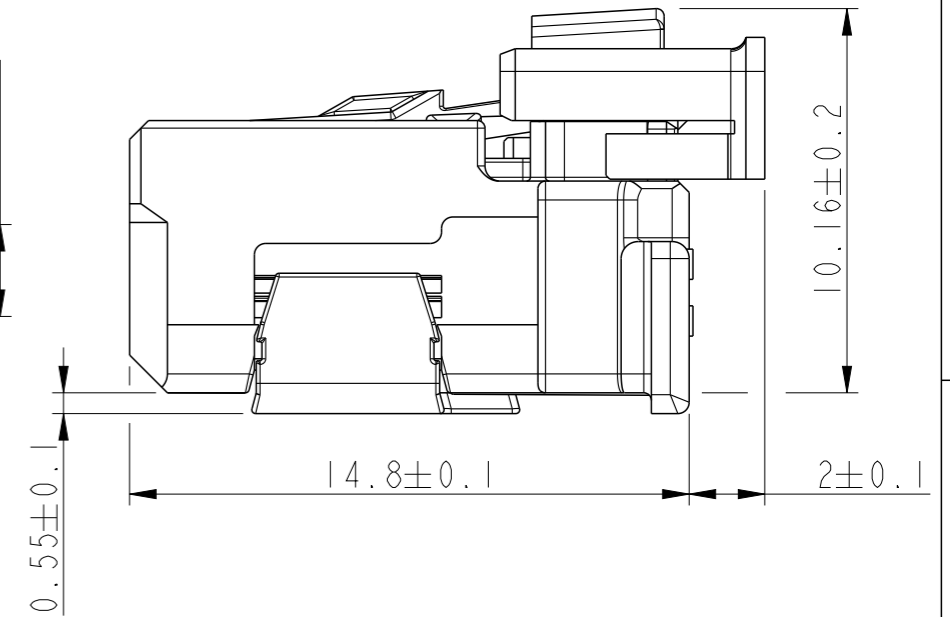
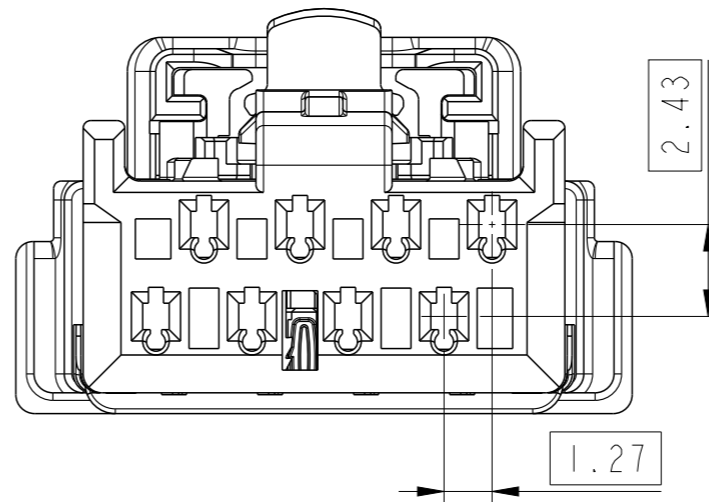


PRODUCT DESCRIPTION CODE :

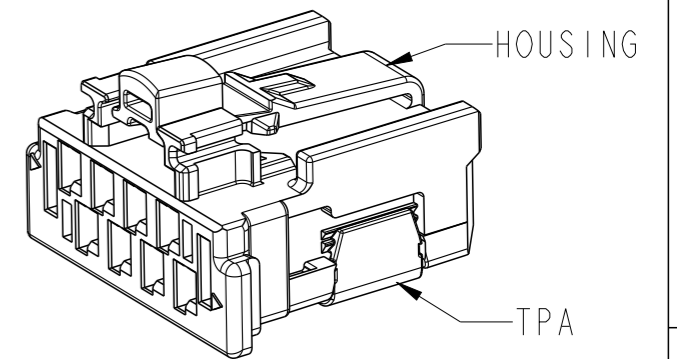
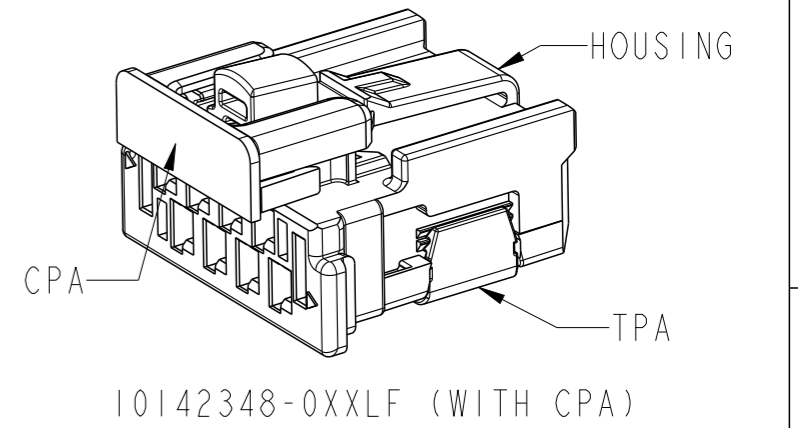
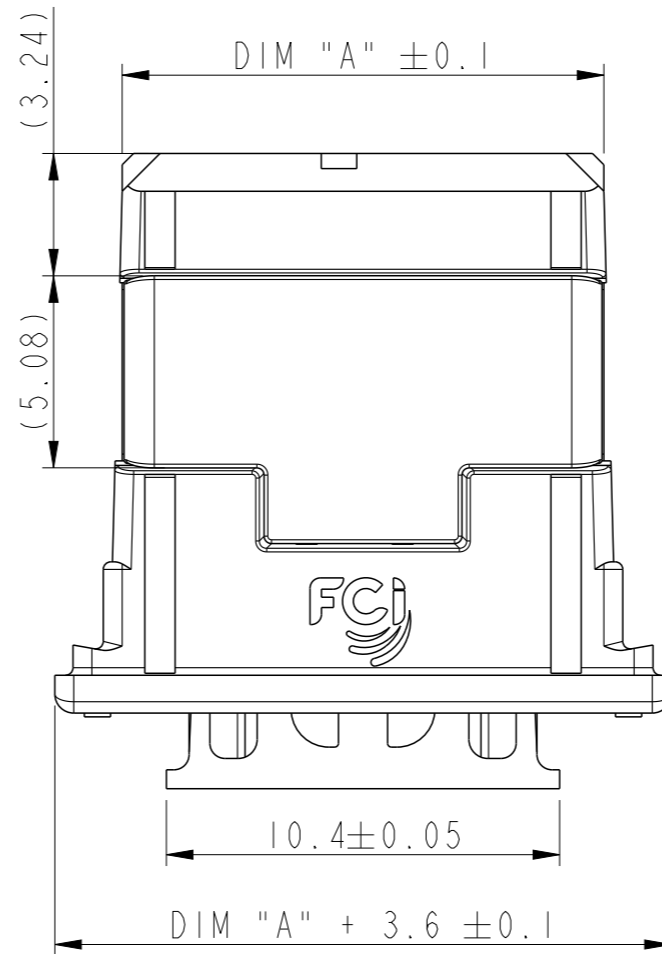
10142348-0XX LF

- RoHS COMPATIBLE
- FOR CUSTOMER CODE:  
BLANK = GENERAL USE
- PACKAGING :  
BLANK = BULK
- BLANK = WITH CPA  
W = WITHOUT CPA
- NUMBER OF POSITIONS : 04 TO 16
- MATERIAL



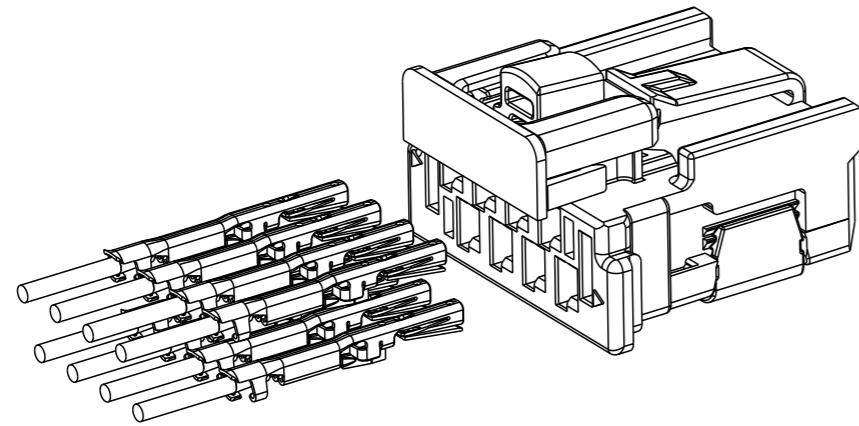
NOTES:

- 1 - MATERIAL:  
HIGH TEMPERATURE THERMOPLASTIC  
COLOR BLACK UL94 V-0
- 2 - FOR USE WITH MINITEK  $\mu$ SPACE CTW TERMINALS :  
AWG 22-24, SERIES 10141272 & 10148496  
AWG 26-30, SERIES 10141272 & 10148496
- 3 - TO BE MATED WITH MINITEK  $\mu$ SPACE HEADERS SERIES  
10142344 / 10143535
- 4 - THE PRODUCT IS NOT INTENDED TO BE EXPOSED TO ANY  
SOLDER PROCESS.
- 5 - RoHS COMPATIBLE PRODUCT SPECIFICATIONS
  - a - LABELLING :  
MEETS PACKAGING SPECS AS PER GS-14-920
  - b - LEGAL STATEMENT :  
SEE GS-47-0004.

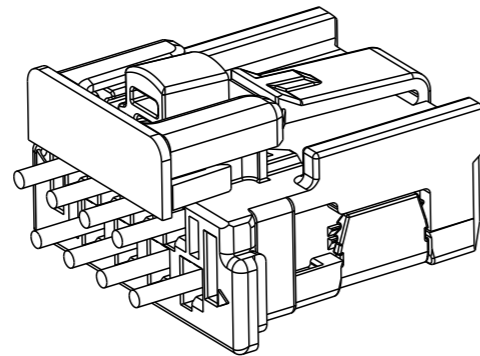


PRE-LOAD CONFIGURATION : DELIVERED STATUS

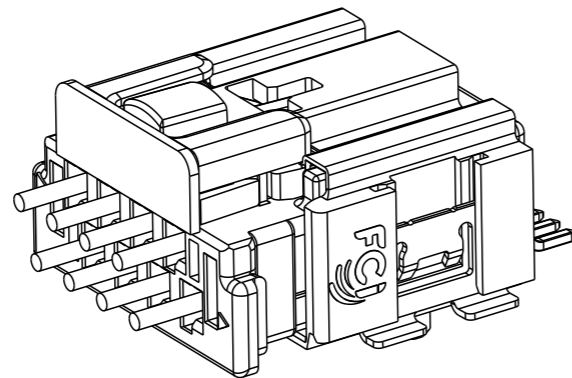
spec ref	GS-12-1422	dr	Mohan, Dinil V	2018/07/10	projection	mm	size	A3	scale	5:1	
tolerance std	ISO 406 ISO 1101	eng	Cyril Jeune	2019/07/10			ecn no	ELX-F-34187-1	rel level	Released	
TOLERANCES UNLESS OTHERWISE SPECIFIED		chr	Cyril Jeune	2019/07/10							
surface	ISO 1302	appr	Beatrice Vial	2019/07/10	product family	-	dwg no		10142348	rev	C
	linear	0.X	±0.3		RECEPTACLE ASSEMBLY		cat. no.		-	Product - Customer Drw	
		0.XX	±0.10		MINITEK $\mu$ SPACE STAGGERED TOP LATCH		sheet 1 of 3				
	angular	0°	±2°								



PRE-LOAD CONFIGURATION FOR TERMINAL INSERTION

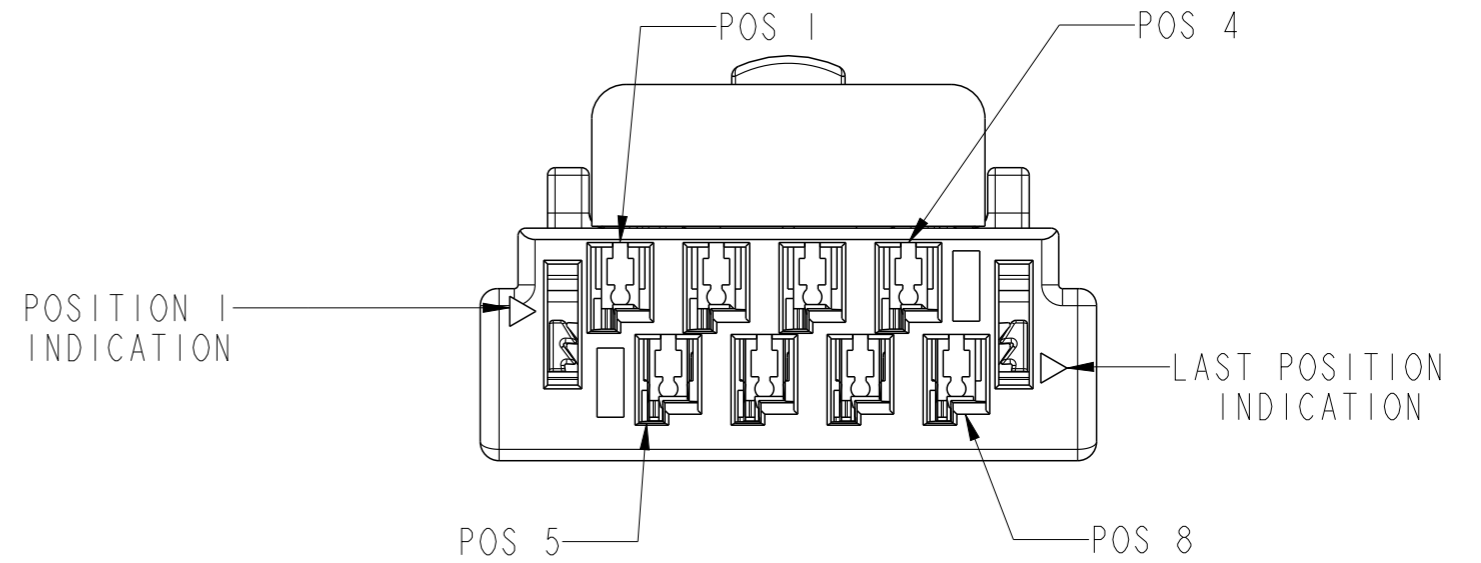


FINAL LOAD CONFIGURATION WITH INSERTED TERMINAL



FULL HEADER AND RECEPTACLE ASSEMBLY CONFIGURATION

PART NO.	NO. OF POSN	DIM "A"
10142348-004LF	04	7.66
10142348-005LF	05	8.93
10142348-006LF	06	10.20
10142348-007LF	07	11.47
10142348-008LF	08	12.74
10142348-009LF	09	14.01
10142348-010LF	10	15.28
10142348-011LF	11	16.55
10142348-012LF	12	17.82
10142348-013LF	13	19.09
10142348-014LF	14	20.36
10142348-015LF	15	21.63
10142348-016LF	16	22.90



POSITION NUMBER INDICATION FOR 8POS VERSION

SCALE 5:1

spec ref	GS-12-1422	dr	Mohan, Dinil V	2018/07/10	projection	mm	size	A3	scale	4:1
tolerance std	ISO 406 ISO 1101	eng	Cyril Jeune	2019/07/10			ecn no	ELX-F-34187-1	rel level	Released
TOLERANCES UNLESS OTHERWISE SPECIFIED		chr	Cyril Jeune	2019/07/10						
surface	linear	0.X	±0.3		RECEPTACLE ASSEMBLY		dwg no	10142348	rev	C
		0.XX	±0.10		MINITEK μSPACE STAGGERED TOP LATCH					
	angular	0°	±2°		cat. no.	-				

1

2

3

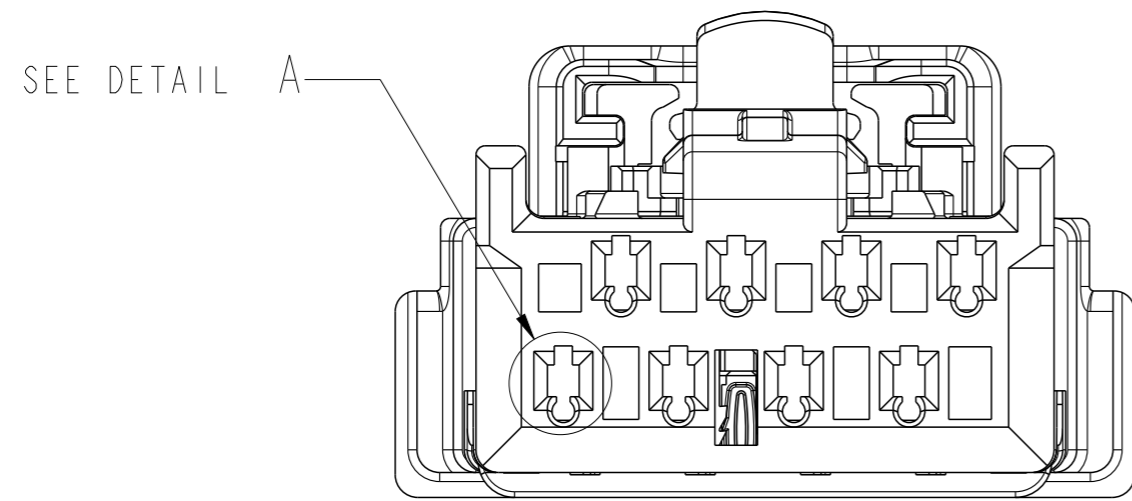
4

A

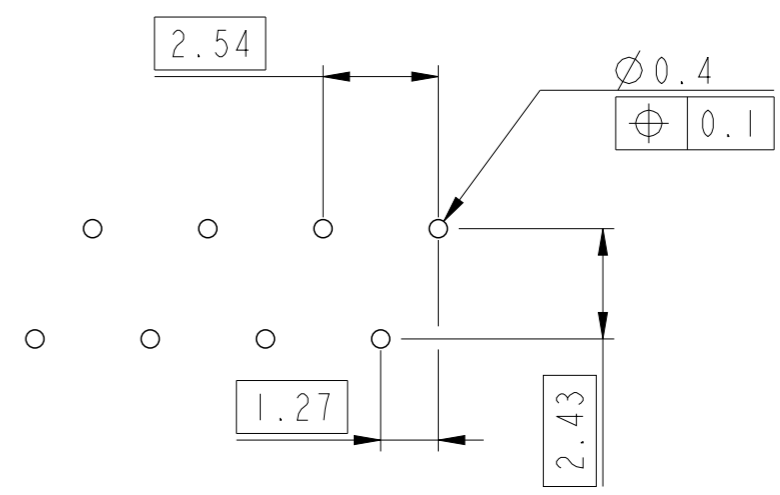
B

A

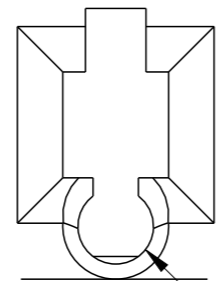
B



TEST PROBE  $\varnothing$  0.4mm COMPLIANCE



RECOMMENDED LAYOUT OF TEST PROBE  $\varnothing$  0.4mm



HOLE FOR TEST PROBE

DETAIL A  
SCALE 20:1

Amphenol  
FCi

© 2016 AFCI

D

D

spec ref	GS-12-1422			dr	Mohan, Dinil V	2018/07/10	projection 	mm 	size	A3	scale	6:1	
tolerance std	TOLERANCES UNLESS OTHERWISE SPECIFIED			eng	Cyril Jeune	2019/07/10			ecn no	ELX-F-34187-1			
ISO 406 ISO 1101				chr	Cyril Jeune	2019/07/10			rel level	Released			
surface	linear	0.X	$\pm$ 0.3	Amphenol FCi	RECEPTACLE ASSEMBLY			dwg no	10142348		rev	C	
		0.XX	$\pm$ 0.10		MINITEK $\mu$ SPACE STAGGERED TOP LATCH								
ISO 1302	angular	0°	$\pm$ 2°		cat. no.	-	Product - Customer Drw						sheet 3 of 3