

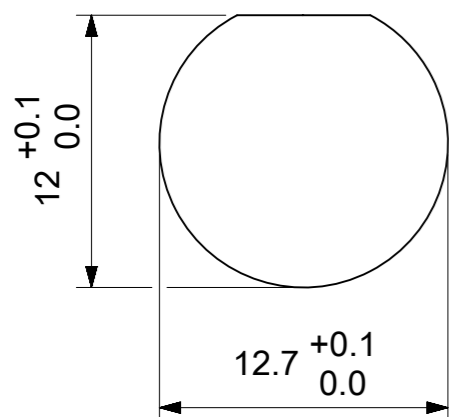
PRODUCT SPECIFICATION:
 PROTECTION CLASS - IP67
 VOLTAGE RATING - 60 Vac / 75 Vdc
 CONTACT CURRENT RATING - 4 Amps

PART No MATRIX

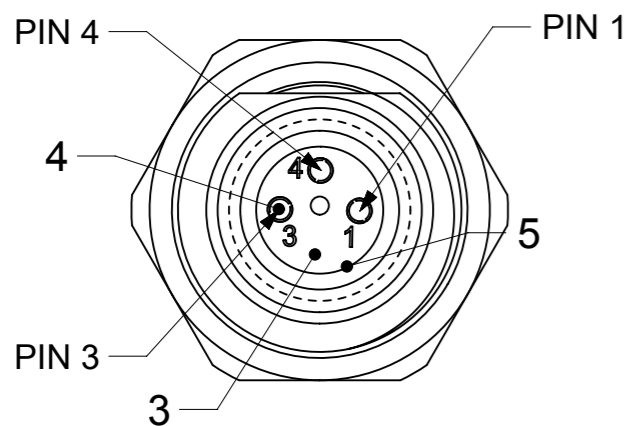
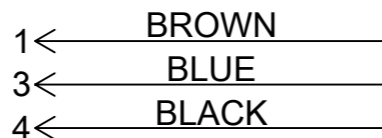
4 R 3 H 4 0 E 0 2 X X X X 3

| | | | | | | |
|-----------------------------|--------------------|---|---------------------------------------|----------------------------------|---|--|
| 4R = Nano Change Receptacle | Poles: 3 = 3 Poles | Heads style: H40 = M8 Female/PG7 Male REC | Wire: E02 = 1.43mm ² , PVC | Units: M = Meter, C = Centimeter | Length Examples: 005 = 0.5 m, 010 = 1 m, 020 = 2 m, 050 = 5 m, 100 = 10 m, 150 = 15 m, 200 = 20 m | Shell Material: 3=Brass, Nickel Plated |
|-----------------------------|--------------------|---|---------------------------------------|----------------------------------|---|--|

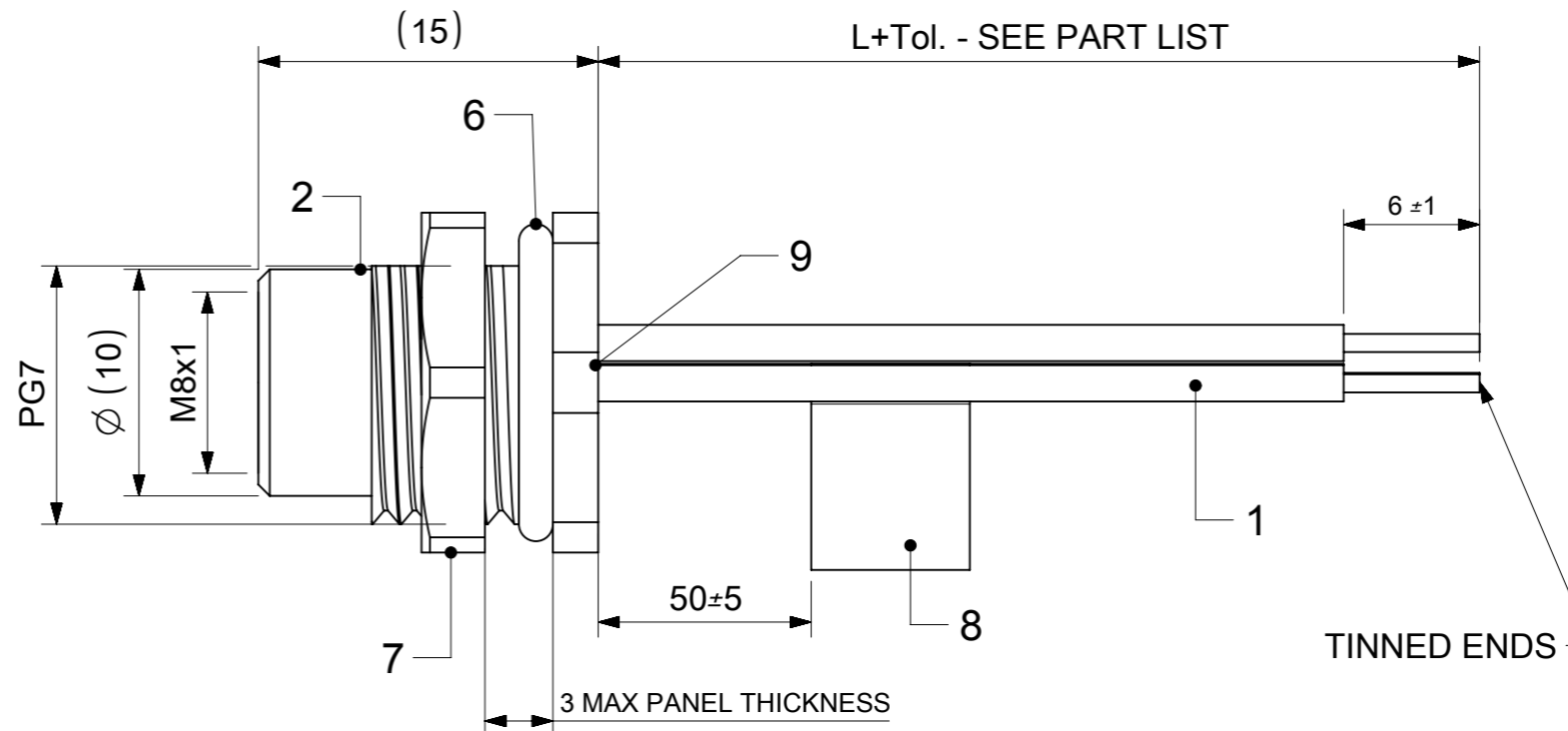
PANEL CUTOUT



WIRING DIAGRAM



VIEW FROM THE FRONT SIDE



BILL OF MATERIALS

| ITEM | QTY | DESCRIPTION | MATERIAL | FINISH/COLOR |
|------|-----|-------------------------|----------|-------------------------|
| 9 | - | POTTING MATERIAL | WEVO | - |
| 8 | 1 | LABEL | VINYL | YELLOW |
| 7 | 1 | LOCKNUT PG7 | BRASS | NICKEL PLATED |
| 6 | 1 | O-RING | FPM | BLACK |
| 5 | 1 | GASKET 5x0.8 | FKM | RED |
| 4 | 3 | CONTACT 10 FE | BRONZE | GOLD OVER NICKEL PLATED |
| 3 | 1 | INSERT M8 3P FE | PUR | BLACK |
| 2 | 1 | REC SHELL M8(FE)xPG7(M) | BRASS | NICKEL PLATED |
| 1 | - | WIRES;24AWG;OD=1.43mm | PVC | - |

PART LIST

| MOLEX PN | ENGINEERING NO | L+Tol.[mm] |
|------------|----------------|------------|
| 1200310046 | 4R3H40E02C3003 | 300 +19 |
| 1200310021 | 4R3H40E02M0103 | 1000 +56 |
| 1200310062 | 4R3H40E02M0203 | 2000 +89 |

| | | | | |
|---------|--|---|--|--------------------------------|
| SYMBOLS | THIS DRAWING CONTAINS INFORMATION THAT IS PROPRIETARY TO MOLEX ELECTRONIC TECHNOLOGIES, LLC AND SHOULD NOT BE USED WITHOUT WRITTEN PERMISSION | CURRENT REV DESC: | | molex |
| | DIMENSION UNITS: mm SCALE: 3:1 GENERAL TOLERANCES (UNLESS SPECIFIED): ANGULAR TOL: ± ° 4 PLACES ± 3 PLACES ± 2 PLACES ± 1 PLACE ± 0 PLACES ± DRAFT WHERE APPLICABLE MUST REMAIN WITHIN DIMENSIONS | EC NO: 607378 DRWN: MKOWALCZYK01 2018/11/08 CHK'D: DSTACHOWIAK 2018/11/09 APPR: DSTACHOWIAK 2018/11/09 INITIAL REVISION: DRWN: MKOWALCZYK01 2018/11/08 APPR: DSTACHOWIAK 2018/11/09 | PRODUCT CUSTOMER DRAWING DOCUMENT NUMBER: 1200310046 DOC TYPE: PSD DOC PART: 000 REVISION: A | |
| | THIRD ANGLE PROJECTION | DRAWING: A3-SIZE | SERIES: 120031 | MATERIAL NUMBER: SEE PART LIST |
| | | CUSTOMER: GENERAL MARKET | | SHEET NUMBER: 1 OF 1 |