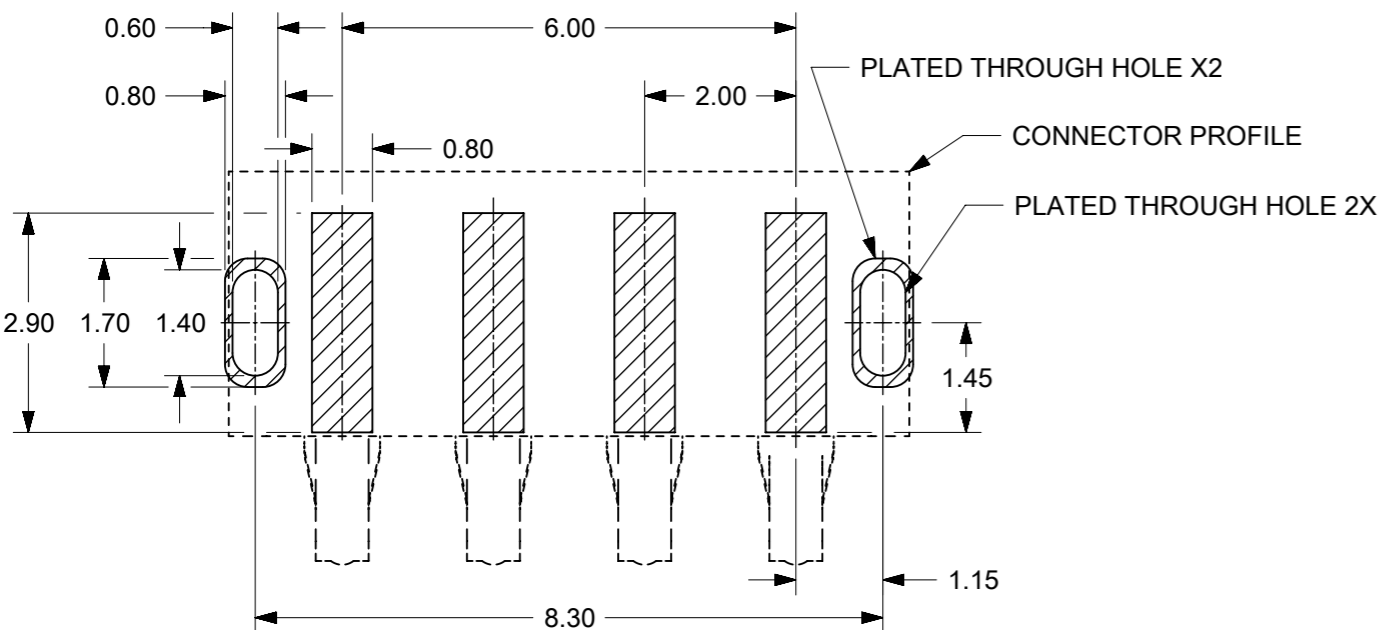


- NOTES:
- MATERIAL:
 - 1-1 TERMINAL : BERYLLIUMCOPPER, THICKNESS 0.20MM
 - 1-2 HOUSING : HIGH TEMPERATURE THERMAL PLASTIC
 - 1-3 FITTING NAIL : BRASS, THICKNESS 0.30MM
 - 1-4 MYLAR : THICKNESS 0.15MM
 - FINISH:
 - 2-1 TERMINAL :
 - 50~150 μ " NICKEL UNDER PLATED
 - 30 μ " MIN GOLD PLATING ON CONTACT AREA
 - 3 μ " MIN GOLD FLASH ON SOLDERING AREA
 - 2-2 FITTING NAIL :
 - 50~200 μ " NICKEL UNDER PLATED
 - 100~200 μ " TIN PLATED ON SOLDERING AREA
 - MECHANICAL SPECIFICATION:
 - 3-1 FORCE : 135 \pm 25g/ 0.7mm AWAY FROM HOUSING SURFACE
 - 3-2 MATING CYCLES : 10,000 TIMES
 - ELECTRICAL SPECIFICATION:
 - 4-1 RATED VOLTAGE : 200 VOLTS RMS MAX.
 - 4-2 RATED CURRENT : 1.5 AMPS CONTINUOUS AND 2 AMPS PLUSES
 - 4-3 CONTACT RESISTANCE : 25 MILLIOHMS MAX.
 - ADHIBIT MYLAR AFTER ASSEMBLY PROCESS
 - COMPLIANT TO RoHS DIRECTIVE 2002/95/EC AND ELV 2000/53/EC.



THIS DRAWING CONTAINS INFORMATION THAT IS PROPRIETARY TO MOLEX ELECTRONIC TECHNOLOGIES, LLC AND SHOULD NOT BE USED WITHOUT WRITTEN PERMISSION		CURRENT REV DESC: OBSOLETE PART NO	
DIMENSION UNITS	SCALE	EC NO: 628886	
mm	10:1	DRWN: VLOKESHA	2019/10/28
GENERAL TOLERANCES (UNLESS SPECIFIED)		CHK'D: GGA	2020/01/13
4 PLACES	\pm	APPR: GGA	2020/01/13
3 PLACES	\pm	INITIAL REVISION:	
2 PLACES	± 0.15	DRWN: XU XIANG	2006/06/29
1 PLACE	\pm	APPR: JNCHEN	2007/03/19
0 PLACES	\pm	DOCUMENT NUMBER	
ANGULAR TOL	\pm °	SD-47507-001	
DRAFT WHERE APPLICABLE MUST REMAIN WITHIN DIMENSIONS		THIRD ANGLE PROJECTION	SHEET NUMBER
		DRAWING	1 OF 1
		SERIES	47507
		MATERIAL NUMBER	SEE TABLE
		CUSTOMER	GENERAL MARKET

475070010	WITH MYLAR
PART NO.	PART DESCRIPTION

molex			
2.0MM PITCH 4 PINS T/H SIDE CONTACT BATTERY CONN.			
PRODUCT CUSTOMER DRAWING			
DOCUMENT NUMBER	DOC TYPE	DOC PART	REVISION
SD-47507-001	PSD	001	F