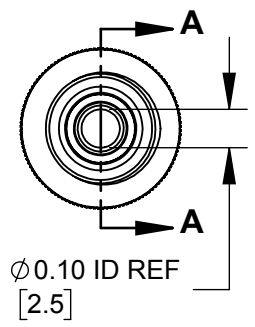
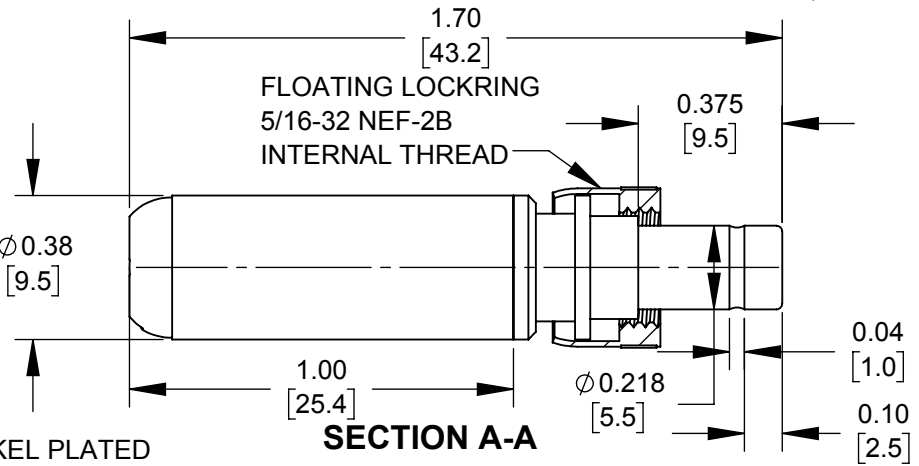
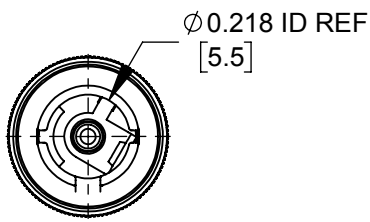
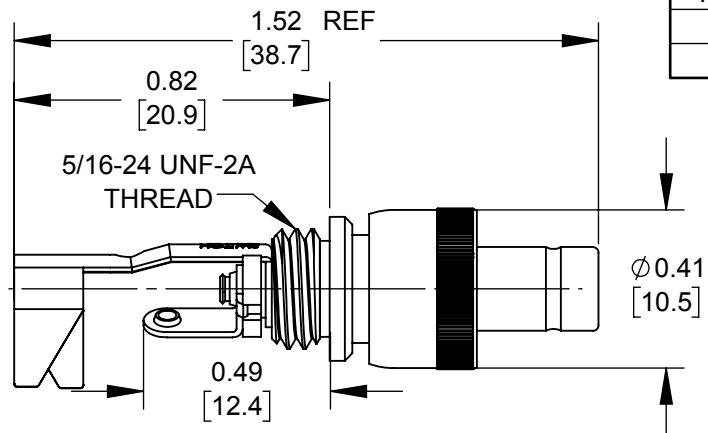


PART NUMBER	HANDLE COLOR
760KHZ	BLACK
765KHZ	RED



- NOTES:
- MATERIALS:
 CONDUCTORS & LOCKRING - BRASS, NICKEL PLATED
 TERMINALS - BRASS, TIN PLATED
 INSULATORS & HANDLE - THERMOPLASTIC

2. THIS PRODUCT IS RoHS COMPLIANT

CUSTOMER DRAWING

UNLESS OTHERWISE SPECIFIED				
1. ALL DIMENSIONS IN INCHES [mm]				
- TWO PLACE DECIMALS ±0.02 [0.5]				
- THREE PLACE DECIMALS ±0.005 [0.13]				
REV	ECO NUMBER	DATE	BY	APVD
REVISIONS				

THIS DRAWING DESCRIBES A DESIGN CONSIDERED PROPRIETARY IN NATURE, DEVELOPED AND MANUFACTURED BY SWITCHCRAFT INC. AND IS RELEASED ON A CONFIDENTIAL BASIS FOR IDENTIFICATION PURPOSES ONLY.										
SIZE	WIDTH	MULT	LBS/M	TEMPER						
FINISH		MATERIAL								
SPEC No.		SPEC No.								
FIRST USED ON				SCALE						
DATE DRAWN				BY		CHKD		APVD		
11/06/19				AM		*		*		
NAME					PART No.					
Ø 0.10 [2.5]mm X 0.375 LONG					760KHZ-765KHZ					
IMPRVD HT PWR PLG W/LOCKRING, RoHS					REV					
					0A					

DO NOT SCALE DRAWING

SolidWorks CAD File